

PLEASE CHECK WWW.MOLEX.COM FOR LATEST PART INFORMATION

Part Number: [0039036120](#)
Status: **Active**
Overview: standard_093
Description: 2.36mm (.093") Diameter Standard .093" Pin and Socket Plug Housing With Positive Latch, UL 94V-2, Panel Mount, 12 Circuits

Documents:

3D Model [Product Specification PS-3191-001 \(PDF\)](#)
 Drawing (PDF) [RoHS Certificate of Compliance \(PDF\)](#)

Agency Certification

CSA LR19980
 TUV R72081037
 UL E29179

General

Product Family Crimp Housings
 Series [3191](#)
 Comments Polarized to Mating Part
 Overview [standard_093](#)
 Product Name Standard .093"

Physical

Breakaway No
 Circuits (maximum) 12
 Circuits Detail 3x4
 Color - Resin Natural
 Flammability 94V-2
 Gender Dual
 Glow-Wire Compliant No
 Keying to Mating Part None
 Lock to Mating Part Yes
 Material - Resin Nylon
 Number of Rows 3
 Packaging Type Bag
 Panel Mount Yes
 Pitch - Mating Interface (in) 0.264 In
 Pitch - Mating Interface (mm) 6.71 mm
 Polarized to Mating Part Yes
 Stackable No
 Temperature Range - Operating -40°C to +105°C

Electrical

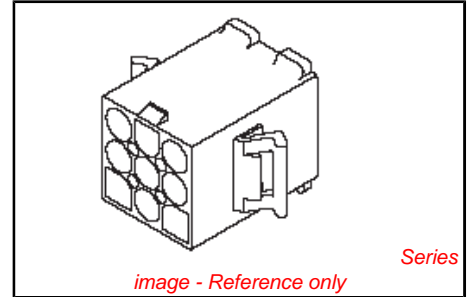
Current - Maximum per Contact 7A

Material Info

Old Part Number 3191-12P

Reference - Drawing Numbers

Packaging Specification SPK-3191-001
 Product Specification PS-3191-001
 Sales Drawing SD-3191-12P-*



EU RoHS

ELV and RoHS Compliant
REACH SVHC Contains SVHC: No
Halogen-Free Status Not Reviewed

China RoHS



Need more information on product environmental compliance?

Email productcompliance@molex.com
 For a multiple part number RoHS Certificate of Compliance, [click here](#)

Please visit the [Contact Us](#) section for any non-product compliance questions.

Search Parts in this Series
[3191Series](#)

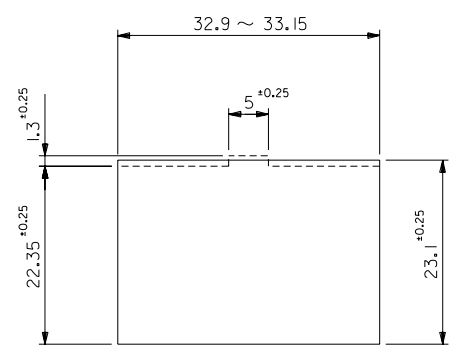
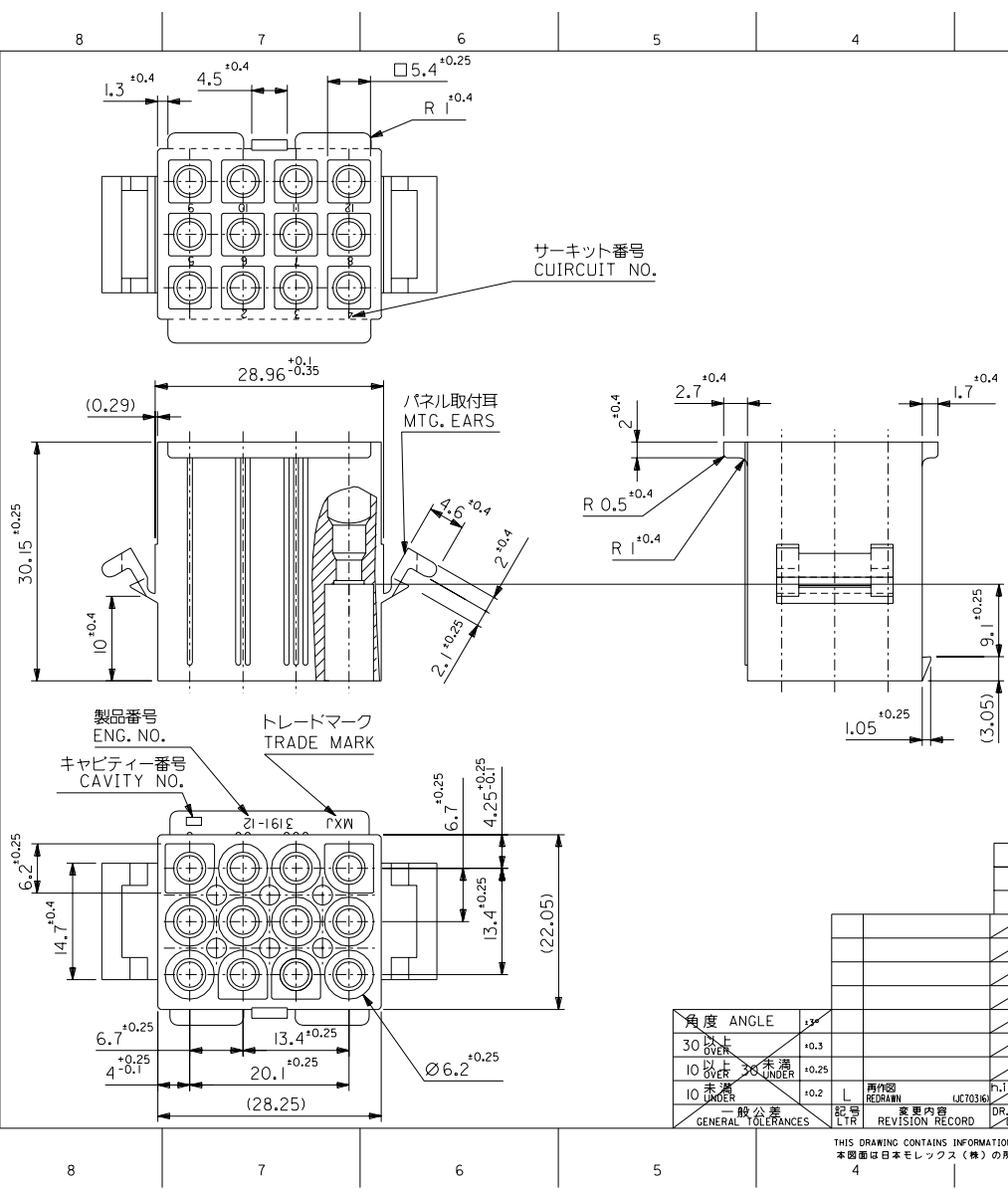
Mates With
[3191](#) Pin and Socket Rectacle, [5219](#) Vertical PCB Header

Use With
[1189](#) Crimp Terminals, [1190](#) Crimp Terminals, [1380](#) Male Crimp Terminals, [1381](#) Female Crimp Terminals, [1433](#) Crimp Terminals, [1434](#) Male Crimp Terminals, [2605](#) , [2606](#) , [1973](#) , [2151](#) , [2273](#) , [2870](#) , [2871](#) , [4272](#) , Lin

PLEASE CHECK WWW.MOLEX.COM FOR LATEST PART INFORMATION

DWG. NO. SD-3191-12P-*

DIMENSIONS IN METRIC DO NOT SCALE DRAWING



パネル取付穴推奨寸法 (厚さ2.0最大)
ハウジングの装着はパネル穴打抜き方向より行うこと
RECOMMENDED PANEL HOLE DIMENSION (THK. 2.0 MAX.)
ATTACH THE HOUSING FROM THE DIRECTION OF
PANEL HOLE PUNCHED OUT

注記
NOTE
() 内寸法は参考値
DIMENSIONS IN () ARE REFERENCE

39-03-6121	3191-12P-201	NYLON66	94V-0
39-03-6120	3191-12P	NYLON66	94V-2
EDP. NO.	ENG. NO.	MATERIAL	UL

材料 MATERIAL	表参照 SEE CHART	MOLEX-JAPAN CO.,LTD. 日本モレックス株式会社 REVISE ONLY ON CAD SYSTEM TITLE 名称 12 CKT. PLUG HS'G. (.093 DIA. TERMINAL) DWG. NO. SD-3191-12P-* REV L
仕上げ FINISH	—	
適用電線範囲 WIRE RANGE	—	
被覆外径 INS. RANGE	—	

角度 ANGLE	±3°
30以上 OVER	±0.3
10以上 未満 OVER UNDER	±0.25
10未満 UNDER	±0.2
一般公差 GENERAL TOLERANCES	

記号 LTR	変更内容 REVISION RECORD	日付 DATE	CHK	DR	DATE	CHK	DR
	UC10316	96/06/24	H.IJIMA	M.F.	96/06/24	M.FUKUSHIMA	
			MENOMOTO				

DRAWN BY	96/06/24	CHK'D BY	96/06/24
APP'D BY	96/06/24	尺度	2 : 1

THIS DRAWING CONTAINS INFORMATION THAT IS PROPRIETARY TO MOLEX (JAPAN) AND SHOULD NOT BE USED WITHOUT WRITTEN PERMISSION
本図面は日本モレックス(株)の所有する情報を含むもので、当社の許可なく複製を禁止する。
EN-01C1032)MXJ-32