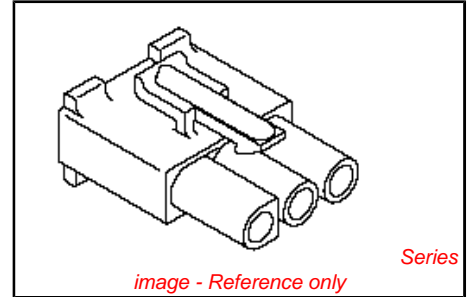


**PLEASE CHECK WWW.MOLEX.COM FOR LATEST PART INFORMATION**

**Part Number:** [0039036044](#)  
**Status:** **Active**  
**Overview:** [standard\\_093](#)  
**Description:** 2.36mm (.093") Diameter Standard .093" Pin and Socket Receptacle Housing With Positive Latch, UL 94V-2, 4 Circuits

**Documents:**

<a href="#">3D Model</a>	<a href="#">Product Specification PS-3191-003 (PDF)</a>
<a href="#">Drawing (PDF)</a>	<a href="#">Product Specification PS-3191-005 (PDF)</a>
<a href="#">Product Specification PS-3191-001 (PDF)</a>	<a href="#">RoHS Certificate of Compliance (PDF)</a>



**Agency Certification**

CSA	LR19980
TUV	R72081037
UL	E29179

**General**

Product Family	Crimp Housings
Series	3191
Comments	Polarized to Mating Part
Overview	<a href="#">standard_093</a>
Product Name	Standard .093"

**Physical**

Breakaway	No
Circuits (maximum)	4
Circuits Detail	2x2
Color - Resin	Natural
Flammability	94V-2
Gender	Dual
Glow-Wire Compliant	No
Keying to Mating Part	None
Lock to Mating Part	Yes
Material - Resin	Nylon
Number of Rows	1
Packaging Type	Bag
Panel Mount	No
Pitch - Mating Interface (in)	0.264 In
Pitch - Mating Interface (mm)	6.71 mm
Polarized to Mating Part	Yes
Stackable	No
Temperature Range - Operating	-40°C to +105°C

**Electrical**

Current - Maximum per Contact	9A
-------------------------------	----

**Material Info**

Old Part Number	3191-04R1
-----------------	-----------

**Reference - Drawing Numbers**

Packaging Specification	SPK-3191-001
Product Specification	PS-3191-001, PS-3191-003, PS-3191-005, RPS-3191-001, RPS-3191-002
Sales Drawing	SD-3191-04R1*

<p><b>EU RoHS</b>  <b>ELV and RoHS</b>  <b>Compliant</b>  <b>REACH SVHC</b>  <b>Contains SVHC: No</b>  <b>Halogen-Free</b>  <b>Status</b>  <b>Not Reviewed</b></p>	<p><b>China RoHS</b></p>
--	--------------------------

**Need more information on product environmental compliance?**

Email [productcompliance@molex.com](mailto:productcompliance@molex.com)  
For a multiple part number RoHS Certificate of Compliance, [click here](#)

Please visit the [Contact Us](#) section for any non-product compliance questions.

**Search Parts in this Series**  
[3191Series](#)

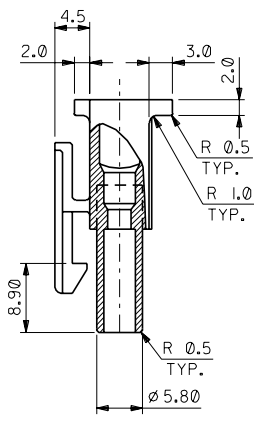
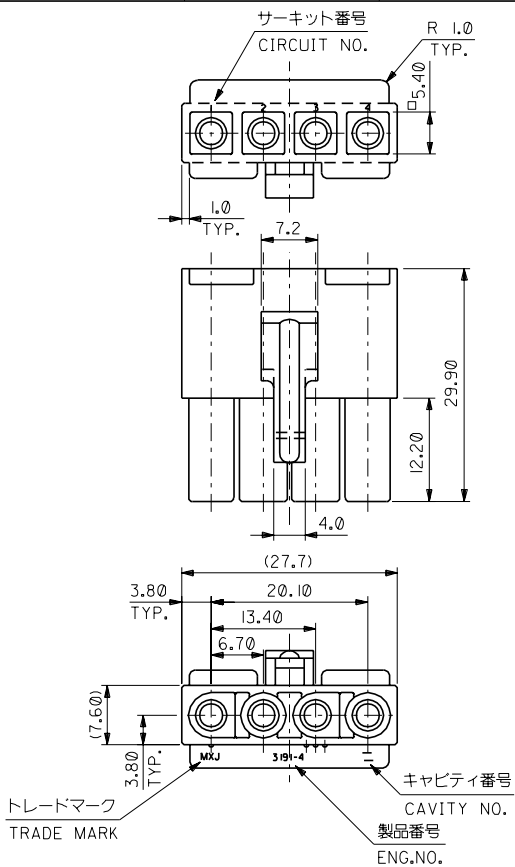
**Mates With**  
[3191](#) Pin and Socket Plug, [5219](#) Vertical PCB Header

**Use With**  
[1189](#) Crimp Terminals, [1190](#) Crimp Terminals, [1380](#) Male Crimp Terminals, [1381](#) Female Crimp Terminals, [1433](#) Crimp Terminals, [1434](#) Male Crimp Terminals, [2605](#) , [2606](#) , [1973](#) , [2151](#) , [2273](#) , [2870](#) , [2871](#) , [4272](#) , Lin

This document was generated on 05/19/2010

**PLEASE CHECK [WWW.MOLEX.COM](http://WWW.MOLEX.COM) FOR LATEST PART INFORMATION**

DWG. NO. SD-3191-04R1-\*



注) NOTE.  
1. ( ) 内寸法は参考  
(DIMENSIONS IN ( ) ARE REFERENCE)

3191-04R1-201	39-03-6045	ナイロン66 NYLON66	94V-0
3191-04R1	39-03-6044	ナイロン66 NYLON66	94V-2
ENG.NO.	EDP.NO.	材料 MATERIAL NO.	

DO NOT SCALE DRAWING	04 INC. DRWN: CHK: APPR: 03 INC. DRWN: CHK: APPR: 02 INC. DRWN: CHK: APPR: 01 INC. DRWN: CHK: APPR:	REDRAWN 00 INC. JC2000-0026 DRWN: K.KOHAMA CHK: T.YAMAGUCHI APPR: M.FUKUSHIMA	MATERIAL 材料 表参照 SEE TABLE	GENERAL TOLERANCES: (UNLESS SPECIFIED) 一般公差	SCALE 2:1 DESIGN UNITS <input checked="" type="checkbox"/> mm <input type="checkbox"/> INCH	45° ANGLE PROJECTION <input type="checkbox"/> mm <input type="checkbox"/> INCH <input checked="" type="checkbox"/> mm ONLY	SHT 1 REV I	
		FINISH 仕上げ //	10 UNDER 未滿 ±0.25 10 OVER 以上 30 UNDER 未滿 ±0.3 30 OVER 以上 ±0.35	DRAWN BY & DATE K.KOHAMA 00/ 3/28 CHECKED BY & DATE T.YAMAGUCHI 00/ 3/31 APPROVED BY & DATE M.FUKUSHIMA 00/ 3/31	TITLE: 4 CKT. REC. HS'G (.093 DIA. TERM.)	MOLEX INCORPORATED	MATERIAL NO. 3191-04R1- DRAWING NO. SD-3191-04R1- SHEET NO. I	SIZE B
		WIRE RANGE 通用電線範囲 //	ANGLE 角度 +3°	CAD FILENAME S319104.S10	INCORPORATED AND SHOULD NOT BE USED WITHOUT WRITTEN PERMISSION.	EN-02J(097) MXJ-54		