

**PLEASE CHECK WWW.MOLEX.COM FOR LATEST PART INFORMATION**

**Part Number:** [0192160009](#)  
**Status:** **Active**  
**Description:** Ultimate Wire Tap, Yellow, 12 AWG

**Documents:**

[Drawing \(PDF\)](#) [RoHS Certificate of Compliance \(PDF\)](#)

**Agency Certification**

CSA LR18689  
 UL E79133

**General**

Product Family IDT and Solder Connectors  
 Series [19216](#)  
 Crimp Quality Equipment Yes  
 MolexKits Yes  
 Product Name Wire Tap

**Physical**

Circuits (Loaded) 1  
 Color - Resin Natural  
 Durability (mating cycles max) 25  
 Flammability 94V-2  
 Gender N/A  
 Glow-Wire Compliant No  
 Lock to Mating Part None  
 Material - Metal Phosphor Bronze  
 Material - Resin Nylon  
 Number of Rows 0  
 Packaging Type Bag  
 Panel Mount No  
 Pitch - Mating Interface (in) 0.000 In  
 Pitch - Mating Interface (mm) 0.00 mm  
 Pitch - Term. Interface (in) 0.000 In  
 Pitch - Term. Interface (mm) 0.00 mm  
 Polarized to Mating Part Yes  
 Stackable No  
 Temperature Range - Operating 105°C  
 Wire Insulation Diameter N/A  
 Wire Size AWG 12

**Electrical**

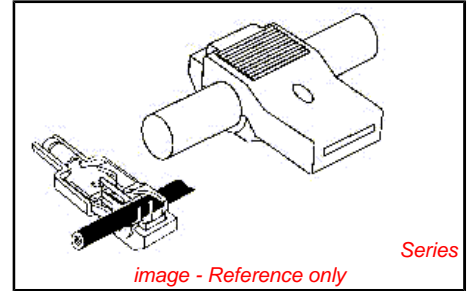
Voltage - Maximum 600V

**Material Info**

Old Part Number WT-12

**Reference - Drawing Numbers**

Sales Drawing SD-19216-001



**EU RoHS**

**ELV and RoHS Compliant**  
**REACH SVHC Contains SVHC: No**  
**Halogen-Free Status Not Reviewed**

**China RoHS**



**Need more information on product environmental compliance?**

Email [productcompliance@molex.com](mailto:productcompliance@molex.com)  
 For a multiple part number RoHS Certificate of Compliance, [click here](#)

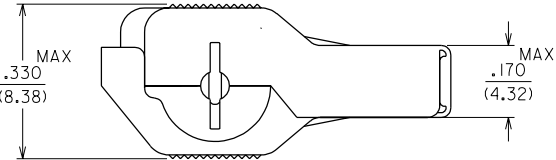
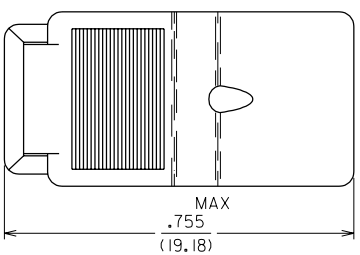
Please visit the [Contact Us](#) section for any non-product compliance questions.

**Search Parts in this Series**  
[19216Series](#)

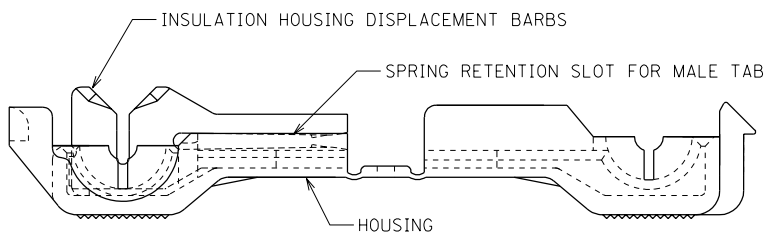
**Mates With**  
 Male Quick Disconnect

**PLEASE CHECK WWW.MOLEX.COM FOR LATEST PART INFORMATION**

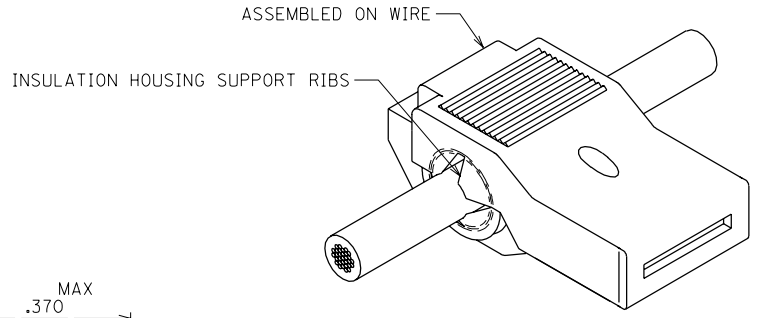
MATERIAL NO.	ALTERNATE NO.	WIRE RANGE AWG(mm <sup>2</sup> )	HOUSING COLOR
192160011	WT-2218	22-18(.34-.75)	RED
192160010	WT-1814	18-14(.75-2.5)	BLUE
192160009	WT-12	12(4.0)	YELLOW



CLOSED POSITION AFTER ASSEMBLY ON WIRE



OPEN POSITION PRIOR TO ASSEMBLY ON WIRE



- NOTES:
- MATERIALS  
HOUSING: UNFILLED NYLON UL FLAMMABILITY RATING 94V-2  
COLOR: SEE TABLE  
TERMINAL: COPPER ALLOY
  - FINISH  
TERMINAL: TIN

B	VOIDS DWG. WT-CD ETC2000-0001 HEB 99/7/2
A	SEE ECN# 1137 09/08/94 RCM
LTR.	REVISIONS

CUSTOMER DRAWING

DIMENSIONS SHOWN (METRIC) INCH UNLESS OTHERWISE SPECIFIED TOLERANCES: ANGULAR ± 1/2°		REVISE ONLY ON CAD SYSTEM															
<table border="1"> <thead> <tr> <th></th> <th>INCH</th> <th>METRIC</th> </tr> </thead> <tbody> <tr> <td>3 PLACE</td> <td>± .005</td> <td>± ---</td> </tr> <tr> <td>2 PLACE</td> <td>± .01</td> <td>± 0.13</td> </tr> <tr> <td>1 PLACE</td> <td>± ---</td> <td>± 0.25</td> </tr> </tbody> </table>			INCH	METRIC	3 PLACE	± .005	± ---	2 PLACE	± .01	± 0.13	1 PLACE	± ---	± 0.25	TITLE WIRE TAP MULTIMATE			
	INCH	METRIC															
3 PLACE	± .005	± ---															
2 PLACE	± .01	± 0.13															
1 PLACE	± ---	± 0.25															
DRAFT WHERE APPLICABLE MUST REMAIN WITHIN DIMENSIONS		SHEET NO. DATE 1 OF 1 09/07/94															
<table border="1"> <tr> <td>DRWG. BY RCM</td> <td>CHK'D. BY JM</td> <td>FILE NAME 19216001 SD</td> <td>THIS DRAWING CONTAINS INFORMATION THAT IS PROPRIETARY TO MOLEX-ETC INC. AND SHOULD NOT BE USED WITHOUT WRITTEN PERMISSION.</td> </tr> <tr> <td>APP'D. BY FP</td> <td>SCALE 5:1</td> <td>PART NO. SEE TABLE</td> <td>DRWG. NO. SD-19216-001</td> </tr> </table>		DRWG. BY RCM	CHK'D. BY JM	FILE NAME 19216001 SD	THIS DRAWING CONTAINS INFORMATION THAT IS PROPRIETARY TO MOLEX-ETC INC. AND SHOULD NOT BE USED WITHOUT WRITTEN PERMISSION.	APP'D. BY FP	SCALE 5:1	PART NO. SEE TABLE	DRWG. NO. SD-19216-001	<table border="1"> <tr> <td>ETC INC. PINELLAS PARK, FLA. 33701 U.S.A.</td> <td>DTV.</td> <td>SIZE</td> </tr> <tr> <td></td> <td>ETC</td> <td>B</td> </tr> </table>		ETC INC. PINELLAS PARK, FLA. 33701 U.S.A.	DTV.	SIZE		ETC	B
DRWG. BY RCM	CHK'D. BY JM	FILE NAME 19216001 SD	THIS DRAWING CONTAINS INFORMATION THAT IS PROPRIETARY TO MOLEX-ETC INC. AND SHOULD NOT BE USED WITHOUT WRITTEN PERMISSION.														
APP'D. BY FP	SCALE 5:1	PART NO. SEE TABLE	DRWG. NO. SD-19216-001														
ETC INC. PINELLAS PARK, FLA. 33701 U.S.A.	DTV.	SIZE															
	ETC	B															