

**PLEASE CHECK WWW.MOLEX.COM FOR LATEST PART INFORMATION**

**Part Number:** [0955222887](#)  
**Status:** **Active**  
**Overview:** [modular\\_plugs\\_jacks](#)  
**Description:** HIPRO TE 8/8 JACK

**Documents:**

[3D Model](#) [RoHS Certificate of Compliance \(PDF\)](#)  
[Drawing \(PDF\)](#)

**Agency Certification**

UL E107635

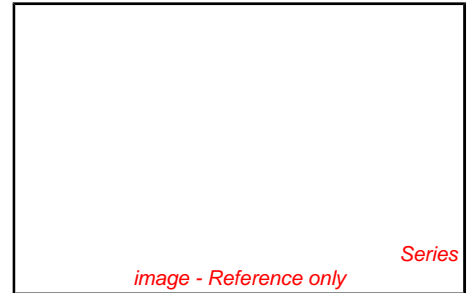
**General**

Product Family Modular Jacks/Plugs  
 Series [95522](#)  
 Component Type PCB Jack  
 Magnetic No  
 Overview [modular\\_plugs\\_jacks](#)  
 Performance Category 3  
 Power over Ethernet (PoE) N/A  
 Product Name RJ45

**Physical**

Boot Color N/A  
 Color - Resin Black  
 Durability (mating cycles max) 1,000  
 Flammability 94V-0  
 Inverted / Top Latch No  
 Lightpipes/LEDs None  
 Material - Metal Brass  
 Material - Plating Mating Gold  
 Material - Plating Termination Tin  
 Material - Resin High Temperature Thermoplastic  
 Orientation Vertical (Top Entry)  
 PCB Locator Yes  
 PCB Retention Yes  
 PCB Thickness Recommended (in) 0.062 In  
 PCB Thickness Recommended (mm) 1.57 mm  
 Packaging Type Tray  
 Pitch - Mating Interface (in) 0.040 In  
 Pitch - Mating Interface (mm) 1.02 mm  
 Pitch - Term. Interface (in) 0.050 In  
 Pitch - Term. Interface (mm) 1.27 mm  
 Plating min: Mating (µin) 50.8  
 Plating min: Mating (µm) 1.27  
 Plating min: Termination (µin) 76  
 Plating min: Termination (µm) 1.9  
 Ports 1  
 Positions / Loaded Contacts 8/8  
 Surface Mount Compatible (SMC) Yes  
 Temperature Range - Operating -40°C to +80°C  
 Termination Interface: Style Through Hole  
 Waterproof / Dustproof No  
 Wire/Cable Type N/A

**Electrical**



**EU RoHS**

**ELV and RoHS Compliant**  
**REACH SVHC Contains SVHC: No**  
**Halogen-Free Status**  
**Halogen-Free**

**China RoHS**



**Need more information on product environmental compliance?**

Email [productcompliance@molex.com](mailto:productcompliance@molex.com)  
 For a multiple part number RoHS Certificate of Compliance, [click here](#)

Please visit the [Contact Us](#) section for any non-product compliance questions.

**Search Parts in this Series**

[95522Series](#)

**Mates With**

FCC 68 Plugs

Current - Maximum per Contact	1.5A
Shielded	No
Voltage - Maximum	125V DC

**Solder Process Data**

Duration at Max. Process Temperature (seconds)	5
Lead-free Process Capability	Wave Capable (TH only)
Max. Cycles at Max. Process Temperature	1
Process Temperature max. C	260

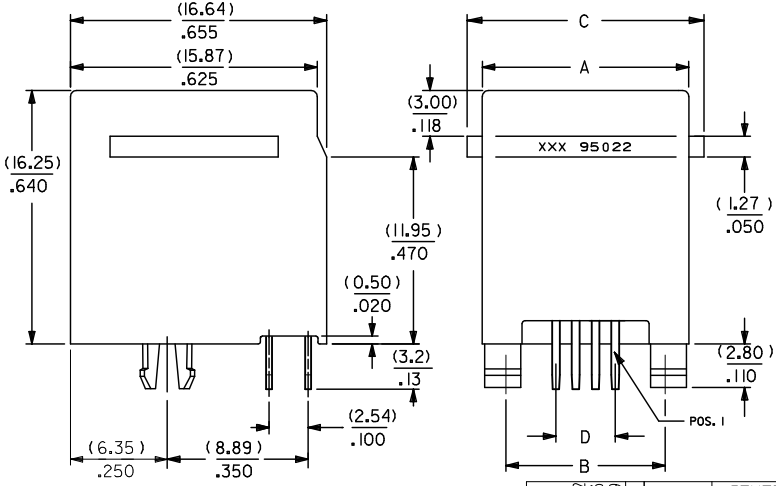
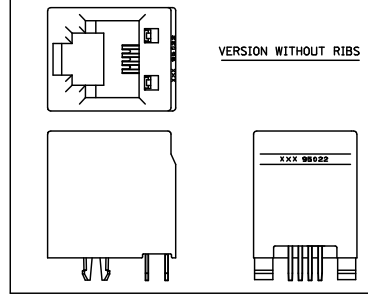
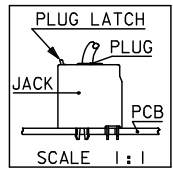
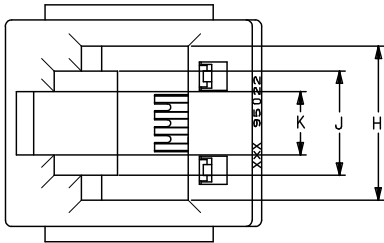
**Material Info****Reference - Drawing Numbers**

Packaging Specification	PK-95022
Sales Drawing	SD-95522-001

This document was generated on 06/07/2010

**PLEASE CHECK [WWW.MOLEX.COM](http://WWW.MOLEX.COM) FOR LATEST PART INFORMATION**

10 9 8 7 6 5 4 3 2 1



**NOTES :**

- 1- MATERIAL:**
- HOUSING: LCP FIBER GLASS FILLED 94-V-0  
COLOR BLACK.
  - TERMINAL: BRASS  
FINISH 2
  - POST PLATE (0.00127-0.00152)/.000050-.000060  
GOLD IN CONTACT AREA (0.00190)/.000075 MIN.  
PURE TIN IN TAIL AREA BOTH OVER (0.00127)/  
.000050 MIN. NICKEL OVERALL.
  - 2- PC BOARD THICKNESS : (1.57) / .062 .
  - 3- JACK FOR MATING WITH F.C.C. 68 PLUGS 90075 MOLEX SERIES .
  - 4- PRODUCT SPECIFICATION PS-95522-001.
  - 5- APPLICATION SPECIFICATION AS-85513-001
  - 6- PACKAGING SPECIFICATION PK-95022, (SHT.1 TRAY PACKAGING)  
PK-95022, (SHT.2 TUBE PACKAGING)
  - 7- FOR ILLUSTRATION PURPOSES A 4 CIRCUIT IS SHOWN.
  - 8- PACKAGING SPECIFICATION RPK-95022-001 (TUBE PACKAGING).
  - 9- MANUFACTURING I.D. CAN BE EITHER MG, MXF OR MXI.

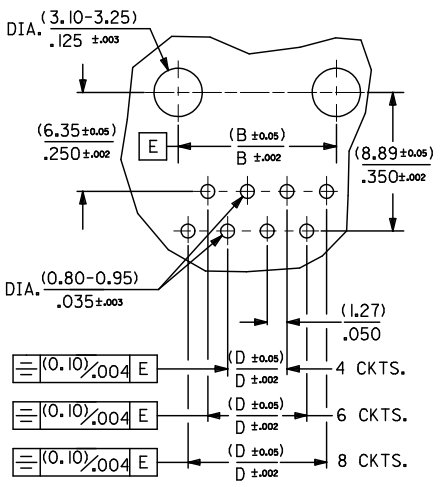
ADDED PART No. E.C. NO: E2009-0420 DRAWN BY: DRWINDBRYNES CHYK: 2009/03/06 APPR: J WALLACE 2009/03/09	QUALITY SYMBOLS	GENERAL TOLERANCES (UNLESS SPECIFIED)	DIMENSION STYLE	SCALE	DESIGN UNITS	THIRD ANGLE PROJECTION															
	$\nabla=0$ $\nabla=0$	<table border="1"> <tr> <th></th> <th>mm</th> <th>INCH</th> </tr> <tr> <td>4 PLACES</td> <td>± .010</td> <td>± .0004</td> </tr> <tr> <td>3 PLACES</td> <td>± .015</td> <td>± .0006</td> </tr> <tr> <td>2 PLACES</td> <td>± 0.25</td> <td>± .010</td> </tr> <tr> <td>1 PLACE</td> <td>± 0.35</td> <td>± .014</td> </tr> </table>		mm	INCH	4 PLACES	± .010	± .0004	3 PLACES	± .015	± .0006	2 PLACES	± 0.25	± .010	1 PLACE	± 0.35	± .014	MM/IN	1:1	METRIC	
		mm	INCH																		
	4 PLACES	± .010	± .0004																		
3 PLACES	± .015	± .0006																			
2 PLACES	± 0.25	± .010																			
1 PLACE	± 0.35	± .014																			
DESCRIPTION	DRAFT WHERE APPLICABLE MUST REMAIN WITHIN DIMENSIONS	DRAWN BY: KNOLLER DATE: 04/08/27 CHECKED BY: FCARABET DATE: 04/08/30 APPROVED BY: KNOLLER DATE: 04/08/30	TITLE	HIGH PROFILE TOP ENTRY JACK																	
REV		MATERIAL NO. SEE CHART SHT. 2	MOLEX INCORPORATED		DOCUMENT NO. SD-95522-001	SHEET NO. 1 OF 3															

9 8 7 6 5 4 3 2 1

10 9 8 7 6 5 4 3 2 1

PART NUMBERS FOR JACK WITH RIBS									
TYPE	PACKAGING	POS. 4	TOOLED	POS. 6	TOOLED	POS. 6	TOOLED	POS. 8	TOOLED
		4 CKTS.		4 CKTS.		6 CKTS.		8 CKTS.	
FINISH 2	TRAY	95522-2447	X	95522-2647	X	95522-2667	X	95522-2887	X
	TUBE					95522-2617	X		
						SEE NOTE 8 SH.1			

PART NUMBERS FOR JACK WITHOUT RIBS									
TYPE	PACKAGING	POS. 4	TOOLED	POS. 6	TOOLED	POS. 6	TOOLED	POS. 8	TOOLED
		4 CKTS.		4 CKTS.		6 CKTS.		8 CKTS.	
FINISH 2	TRAY	95522-2441	X	95522-2641	X	95522-2661	X	95522-2881	
	TUBE					95522-2611	X		



MOUNTING HOLE PATTERNS  
(SEE FROM COMPONENT SIDE)

DIM.	TYPE	POS. 4	POS. 6		POS. 8
		4 CKTS.	4 CKTS.	6 CKTS.	8 CKTS.
A		(11.18) / .440	(13.21) / .520	(13.21) / .520	(15.24) / .600
B		(7.62) / .300	(10.16) / .400	(10.16) / .400	(11.43) / .450
C	(WITH RIBS)	(14.00) / .551	(16.00) / .630	(16.00) / .630	(18.00) / .709
D		(3.81) / .150	(3.81) / .150	(6.35) / .250	(8.89) / .350
H		(7.82) / .308	(9.88) / .389	(9.88) / .389	(11.94) / .470
J		(5.64) / .222	(6.70) / .264	(6.70) / .264	(6.30) / .248
K		(3.07) / .121	(4.06) / .160	(4.06) / .160	(4.06) / .160

ADDED 95522-2611 E.C. NO: E2209-0420 DRAWN: DRYANES 2009/03/02 CHYK: 2009/03/06 APPR: WALLACE 2009/03/09	QUALITY SYMBOLS	GENERAL TOLERANCES (UNLESS SPECIFIED) mm INCH 4 PLACES ± --- ± --- 3 PLACES ± --- ± .010 2 PLACES ± 0.25 ± .014 1 PLACE ± 0.35 ± --- ANGULAR ± 2°	DIMENSION STYLE	SCALE	DESIGN UNITS	THIRD ANGLE PROJECTION	
			MM/IN	1:1	METRIC		
			DRAWN BY	DATE	TITLE		
			KNOLLER	04/08/27	HIGH PROFILE TOP ENTRY JACK		
		CHECKED BY	DATE	MOLEX INCORPORATED			
		FCARABET	04/08/30	MATERIAL NO. SD-95522-001			
		APPROVED BY	DATE	DOCUMENT NO.			
		KNOLLER	04/08/30	SHEET NO. 2 OF 3			
		DRAFT WHERE APPLICABLE MUST REMAIN WITHIN DIMENSIONS					
		THIS DRAWING CONTAINS INFORMATION THAT IS PROPRIETARY TO MOLEX INCORPORATED AND SHOULD NOT BE USED WITHOUT WRITTEN PERMISSION					