

PLEASE CHECK WWW.MOLEX.COM FOR LATEST PART INFORMATION

Part Number: [0955522887](#)
Status: **Active**
Overview: [modular_plugs_jacks](#)
Description: Modular Jack, Top Entry, Shielded, 8/8

Documents:

3D Model	Product Specification PS-95540-002 (PDF)
Drawing (PDF)	RoHS Certificate of Compliance (PDF)
Application Specification (PDF)	

General

Product Family	Modular Jacks/Plugs
Series	95552
Component Type	PCB Jack
Magnetic	No
Overview	modular_plugs_jacks
Performance Category	3
Power over Ethernet (PoE)	N/A
Product Name	RJ45

Physical

Color - Resin	Black
Durability (mating cycles max)	500
Inverted / Top Latch	No
Lightpipes/LEDs	None
Material - Metal	Brass
Material - Plating Mating	Gold
Material - Plating Termination	Tin
Material - Resin	High Temperature Thermoplastic
Orientation	Vertical (Top Entry)
PCB Retention	Yes
Packaging Type	Tray
Plating min: Mating (µin)	50.8
Plating min: Mating (µm)	1.27
Plating min: Termination (µin)	76
Plating min: Termination (µm)	1.9
Ports	1
Positions / Loaded Contacts	8/8
Temperature Range - Operating	-40°C to +80°C
Termination Interface: Style	Through Hole
Wire/Cable Type	N/A

Electrical

Current - Maximum per Contact	1.5A
Shielded	Yes
Voltage - Maximum	125V AC

Solder Process Data

Duration at Max. Process Temperature (seconds)	45
Lead-free Process Capability	Wave Capable (TH only)
Max. Cycles at Max. Process Temperature	1
Process Temperature max. C	260

Material Info

Reference - Drawing Numbers

Application Specification	AS-85513-001
---------------------------	--------------

EU RoHS

ELV and RoHS Compliant

REACH SVHC

Contains SVHC: No

Halogen-Free

Status

Halogen-Free

Need more information on product environmental compliance?

Email productcompliance@molex.com
 For a multiple part number RoHS Certificate of Compliance, [click here](#)

Please visit the [Contact Us](#) section for any non-product compliance questions.

China RoHS



Search Parts in this Series

[95552Series](#)

Mates With

FCC 68 Plugs

Packaging Specification
Product Specification
Sales Drawing

PK-95022
PS-95540-002
SD-95552-001

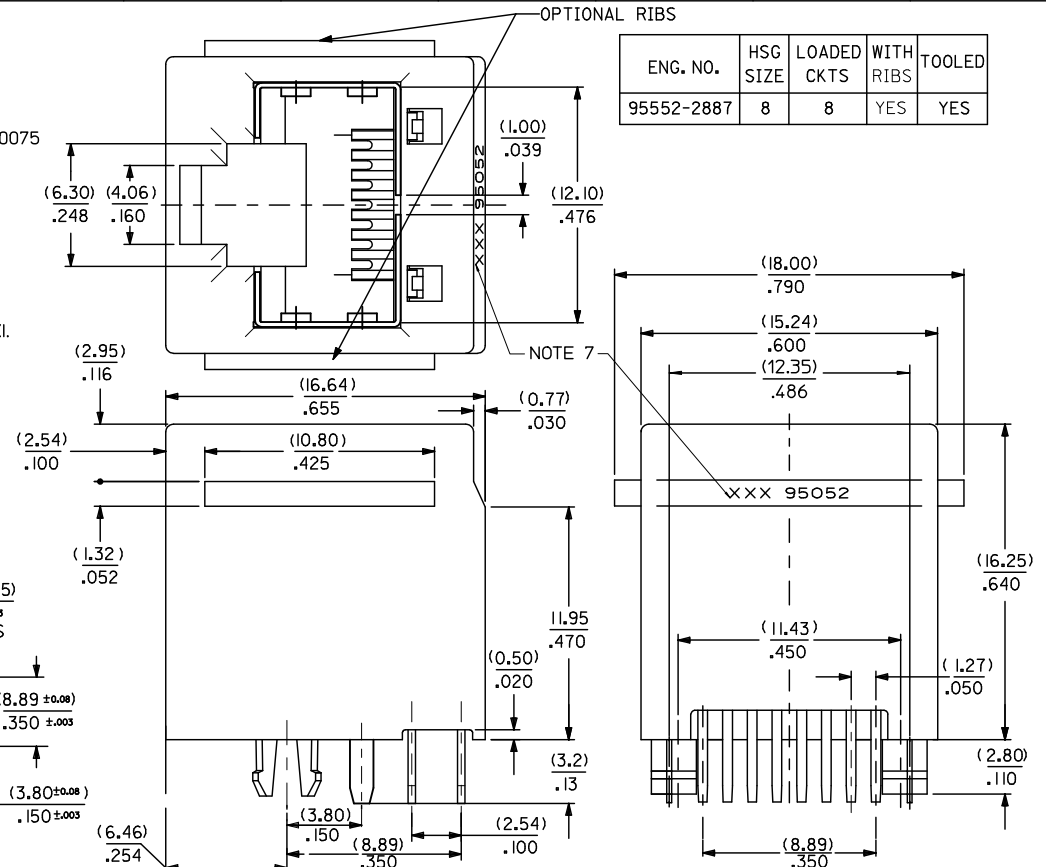
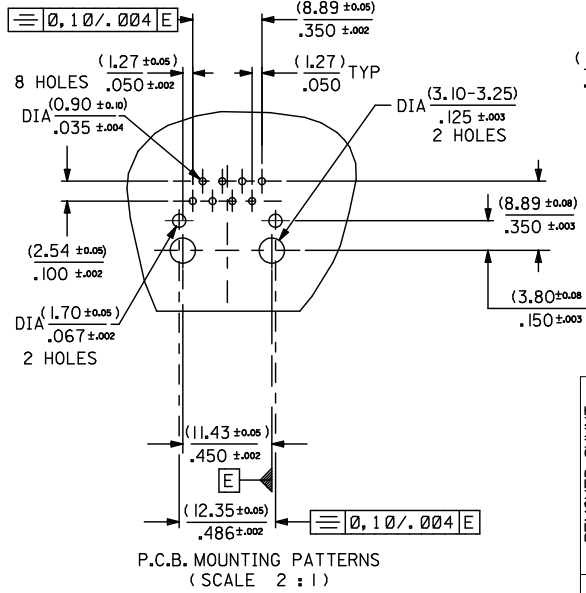
This document was generated on 06/07/2010

PLEASE CHECK WWW.MOLEX.COM FOR LATEST PART INFORMATION

NOTES:

- 1- MATERIAL: HOUSING: LCP GLASS FILLED UL94-V0
COLOUR: BLACK
TERMINAL: BRASS, PLATED WITH (0.00127)/.000050
MIN GOLD IN CONTACT AREA, (0.00190)/.000075
MIN PURE TIN IN TAIL AREA BOTH OVER
(0.00127)/.000050 MIN NICKEL OVERALL
SHIELD: BRASS PLATED WITH (0.0020)/.000078
MIN TIN
- 2- JACK FOR MATING WITH F.C.C. 68 TYPE PLUG
MOLEX 95043 SERIES
- 3- P.C.BOARD THICKNESS: (157)/.062
- 4- PRODUCT SPECIFICATION: PS-95540-002
- 5- APPLICATION SPECIFICATION: AS-85513-001
- 6- PACKAGING SPECIFICATION: PK-95022
- 7- MANUFACTURING I.D. CAN BE EITHER MG, MXF OR MXI.

ENG. NO.	HSG SIZE	LOADED CKTS	WITH RIBS	TOOLED
95552-2887	8	8	YES	YES



QUALITY SYMBOLS	GENERAL TOLERANCES (UNLESS SPECIFIED)		DIMENSION STYLE		SCALE	DESIGN UNITS	THIRD ANGLE PROJECTION
	mm	INCH	MM/IN	MM/IN			
4 PLACES ± --- ± ---			DRAWN BY	DATE	1:1	METRIC	TOP ENTRY SHIELDED JACK W.E. TYPE
3 PLACES ± --- ± ---			DBYRNES	2007/02/28			
2 PLACES ± 0.25 ± 0.14			CHECKED BY	DATE	MOLEX INCORPORATED		
1 PLACE ± 0.35 ± ---			EOMAHONY	2007/02/28			
ANGULAR ± 2 °			APPROVED BY	DATE	SD-95552-001		
			JB	2007/02/28			
DRAFT WHERE APPLICABLE MUST REMAIN WITHIN DIMENSIONS			MATERIAL NO. SEE CHART		DOCUMENT NO. SD-95552-001		SHEET NO. 1 OF 1
THIS DRAWING CONTAINS INFORMATION THAT IS PROPRIETARY TO MOLEX INCORPORATED AND SHOULD NOT BE USED WITHOUT WRITTEN PERMISSION							