

**PLEASE CHECK WWW.MOLEX.COM FOR LATEST PART INFORMATION**

**Part Number:** [0010101113](#)  
**Status:** **Active**  
**Overview:** [kk](#)  
**Description:** 5.08mm (.200") Pitch KK® PC Board Connector, Top Entry Mount Style C, 1.0µm (40µ") Tin (Sn), 11 Circuits

**Documents:**

<a href="#">3D Model</a>	<a href="#">Product Specification PS-99020-0087 (PDF)</a>
<a href="#">Drawing (PDF)</a>	<a href="#">RoHS Certificate of Compliance (PDF)</a>

**Agency Certification**

CSA	LR19980
UL	E29179

**General**

Product Family	PCB Receptacles
Series	3002
Application	Board-to-Board
Overview	<a href="#">kk</a>
Product Name	KK®

**Physical**

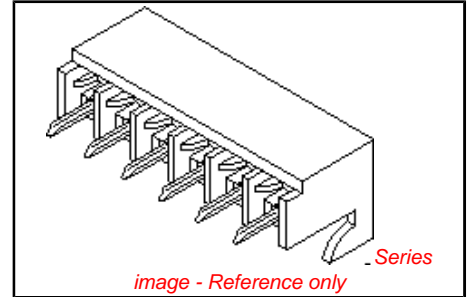
Circuits (Loaded)	11
Color - Resin	Natural
Durability (mating cycles max)	25
Flammability	94V-2
Glow-Wire Compliant	No
Material - Metal	Phosphor Bronze
Material - Plating Mating	Tin
Material - Plating Termination	Tin
Material - Resin	Nylon
Number of Rows	1
Orientation	Vertical
PC Tail Length (in)	0.110 In
PC Tail Length (mm)	2.79 mm
PCB Locator	No
PCB Retention	None
PCB Thickness Recommended (in)	0.062 In
PCB Thickness Recommended (mm)	1.60 mm
Packaging Type	Tray
Pitch - Mating Interface (in)	0.200 In
Pitch - Mating Interface (mm)	5.08 mm
Plating min: Mating (µin)	40.00
Plating min: Mating (µm)	1.000
Plating min: Termination (µin)	40.00
Plating min: Termination (µm)	1.00
Polarized to PCB	No
Temperature Range - Operating	0°C to +75°C
Termination Interface: Style	Through Hole

**Electrical**

Current - Maximum per Contact	7A
Voltage - Maximum	250V

**Solder Process Data**

Lead-free Process Capability	Wave Capable (TH only)
------------------------------	------------------------



**EU RoHS**  
**ELV and RoHS**  
**Compliant**  
**REACH SVHC**  
 Not Reviewed  
**Halogen-Free**  
**Status**  
**Not Reviewed**

**China RoHS**



**Need more information on product environmental compliance?**

Email [productcompliance@molex.com](mailto:productcompliance@molex.com)  
 For a multiple part number RoHS Certificate of Compliance, [click here](#)

Please visit the [Contact Us](#) section for any non-product compliance questions.

**Search Parts in this Series**  
[3002Series](#)

**Mates With**  
[3003](#) , [2599](#) , [3008](#)

**Material Info**

Old Part Number

300211C

**Reference - Drawing Numbers**

Product Specification

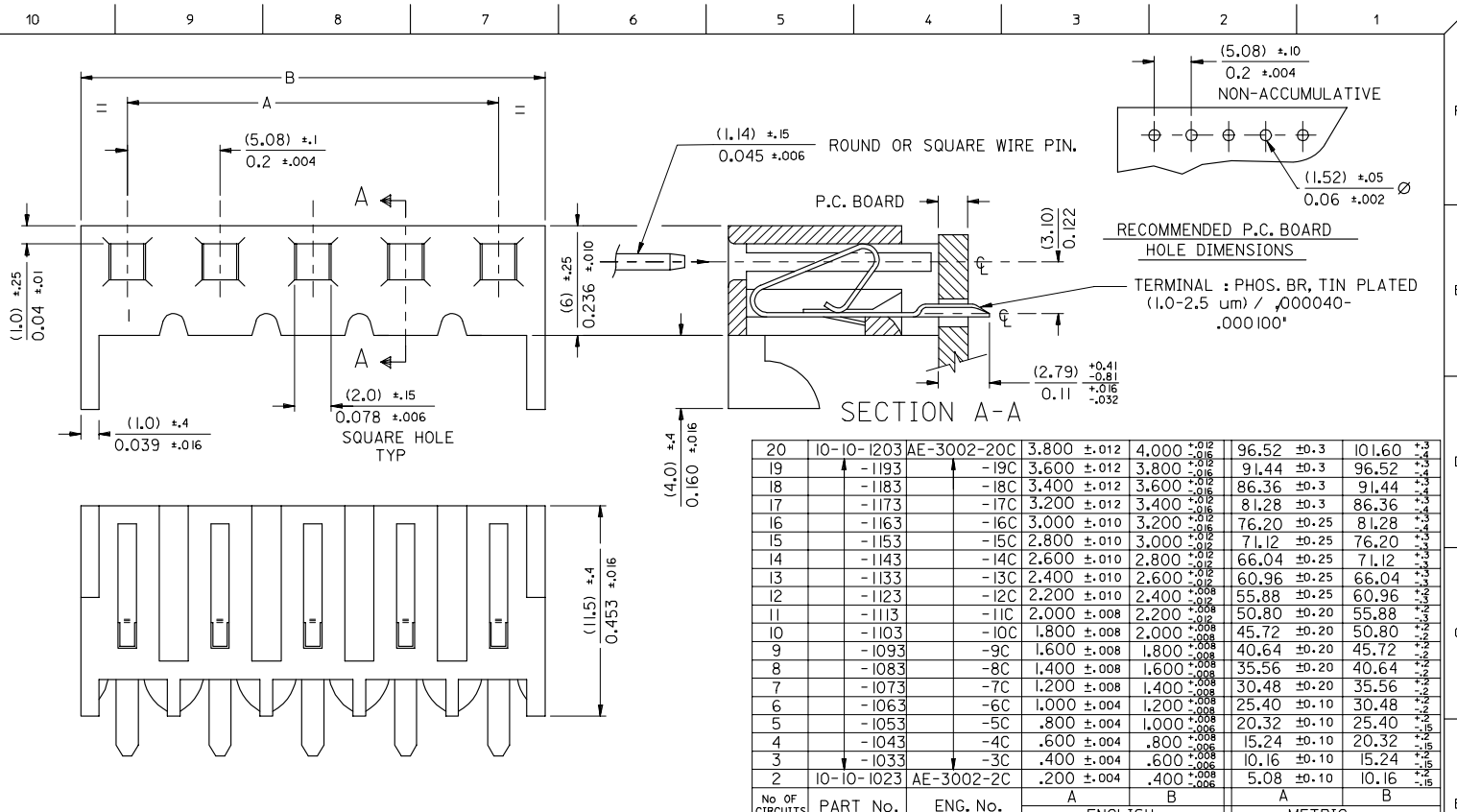
PS-99020-0087

Sales Drawing

SDAE-3002-NC-\*

This document was generated on 05/21/2010

**PLEASE CHECK WWW.MOLEX.COM FOR LATEST PART INFORMATION**



**NOTE :**  
 1. DIMENSIONS SHOWN (MILLIMETERS) INCHES  
 2. HOOKS AVAILABLE ON ENDS ONLY  
 3. THIS PART CONFORMS TO MOLEX PROD.SPEC.99020-0087

REVISION UPDATE IEC NO. E2005-0200 DRAWN BY: GSKWEN 2004/10/05 CHECKED BY: MARIART 2004/10/05 APPR: JDEWERTY 2004/10/08	QUALITY SYMBOLS	GENERAL TOLERANCES (UNLESS SPECIFIED)	DIMENSION STYLE MM/IN	SCALE 5:1	DESIGN UNITS METRIC	THIRD ANGLE PROJECTION
	▽=0	4 PLACES ± --- ± ---	DRAWN BY P. MOORE DATE 1998/09/14	TITLE KONEKTCON & P.C. TAIL TERMINAL ASSEMBLY		
	▽=0	3 PLACES ±.25 ±.10	CHECKED BY MGOONEY DATE 1999/03/08	MOLEX INCORPORATED		
	▽=0	2 PLACES ±.35 ±.14	APPROVED BY MWILHITE DATE 1999/03/08	DOCUMENT NO. SDAE-3002-NC-* SHEET NO. 1 OF 2		
REV	DESCRIPTION	ANGULAR ±1/2°	MATERIAL NO. SEE CHART	THIS DRAWING CONTAINS INFORMATION THAT IS PROPRIETARY TO MOLEX INCORPORATED AND SHOULD NOT BE USED WITHOUT WRITTEN PERMISSION		