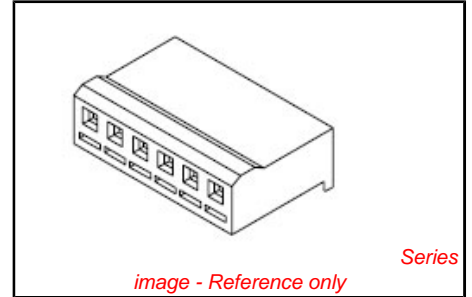


PLEASE CHECK WWW.MOLEX.COM FOR LATEST PART INFORMATION

Part Number: [0009501061](#)
Status: **Active**
Overview: [spox](#)
Description: 3.96mm (.156") Pitch SPOX™ Crimp Housing, Female, With Friction Ramp, 6 Circuits

Documents:

3D Model	Product Specification PS-5195-007 (PDF)
Drawing (PDF)	Product Specification PS-5273-003 (PDF)
Product Specification PS-5195-003 (PDF)	Product Specification PS-5273-004 (PDF)
Product Specification PS-5195-004 (PDF)	RoHS Certificate of Compliance (PDF)
Product Specification PS-5195-005 (PDF)	



Agency Certification

CSA	LR19980
TUV	R72090224
UL	E29179

General

Product Family	Crimp Housings
Series	5195
Overview	spox
Product Name	SPOX™

Physical

Circuits (maximum)	6
Color - Resin	Natural
Flammability	94V-2
Gender	Female
Glow-Wire Compliant	No
Material - Resin	Nylon
Number of Rows	1
Packaging Type	Bag
Panel Mount	No
Pitch - Mating Interface (in)	0.156 In
Pitch - Mating Interface (mm)	3.96 mm
Stackable	No
Temperature Range - Operating	-40°C to +105°C

Material Info

Old Part Number	5195-06
-----------------	---------

Reference - Drawing Numbers

Packaging Specification	SPK-5195-001
Product Specification	PS-5195-003, PS-5195-004, PS-5195-005, PS-5195-007, PS-5273-003, PS-5273-004, RPS-5195-001, RPS-5195-002
Sales Drawing	SD-5195-N

<p>EU RoHS ELV and RoHS Compliant REACH SVHC Contains SVHC: No Halogen-Free Status Halogen-Free</p>	<p>China RoHS</p>
--	--------------------------

Need more information on product environmental compliance?

Email productcompliance@molex.com
 For a multiple part number RoHS Certificate of Compliance, [click here](#)

Please visit the [Contact Us](#) section for any non-product compliance questions.

<p>Search Parts in this Series 5195Series</p>
<p>Mates With 5272 , 5273 , 5274 right angle PCB header, 5096 , 53405 , 5271</p>
<p>Use With 5194 , 5225</p>

PLEASE CHECK WWW.MOLEX.COM FOR LATEST PART INFORMATION

DWG. NO. SD-5195-N

E

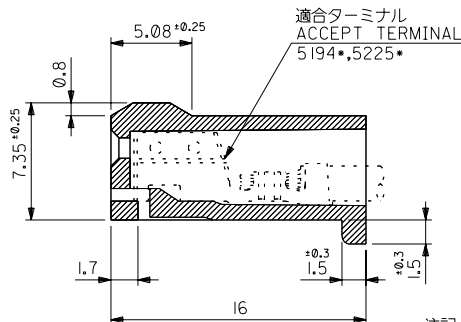
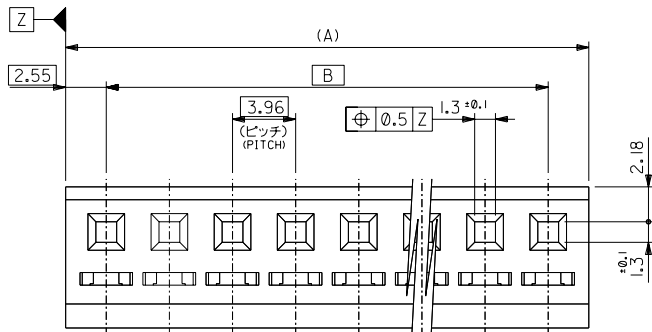
D

SCALE DRAWING
DIMENSIONS IN METRIC DO NOT

B

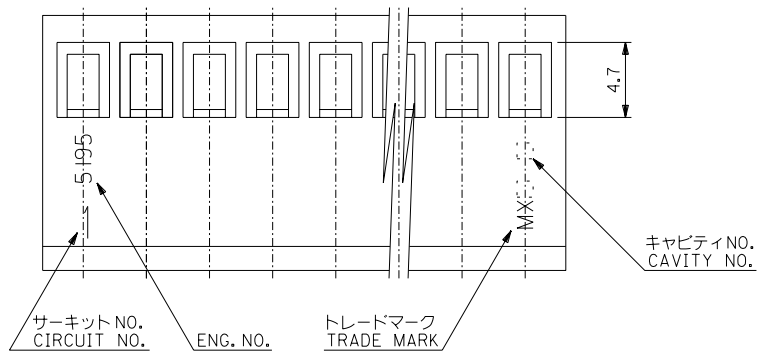
A

8 7 6 5 4 3 2 1



注記
NOTES

- 各部の反りは $\phi 0.5$ 最大。
CAMBER : $\phi 0.5$ MAX.
- サーキットNO.はNO."1"のみ表示。
CIRCUIT NO. : 1 ONLY.



43.56	48.66	09-50-1121	5195-12	12
39.6	44.7	-1111	-11	11
35.64	40.74	-1101	-10	10
31.68	36.78	-1091	-09	9
27.72	32.82	-1081	-08	8
23.76	28.86	-1071	-07	7
19.8	24.9	-1061	-06	6
15.84	20.94	-1051	-05	5
11.88	16.98	-1041	-04	4
7.92	13.02	-1031	-03	3
3.96	9.06	09-50-1021	5195-02	2
B	A	EDP. NO.	ENG. NO.	極致 NO. OF CRTS.

角度 ANGLE	$\pm 3^\circ$				
30以上 OVER	± 0.3				
10以上 未過 UNDER	± 0.25				
10未過 UNDER	± 0.2	J	再作図 REDRAWN	(JC70319)	M.A M.F
一般公差 GENERAL TOLERANCES		記号 LTR	変更内容 REVISION RECORD	DR CHK	日付 DATE

材料 MATERIAL	ナイロン66, UL94V-2 色: オフホワイト NYLON66, UL94V-2 COLOR : OFFWHITE	
仕上げ FINISH	—	
適用電線範囲 WIRE RANGE	—	
被覆外径 INS. RANGE	—	
DRAWN BY	96/05/21	CHK'D BY
M.ASAOKA		M.FUKUSHIMA
APP'D BY	96/05/21	尺度
M.ENOMOTO		SCALE 4 : 1

MOLEX	MOLEX-JAPAN CO.,LTD.
	日本モレックス株式会社
REVISE ONLY ON CAD SYSTEM	
TITLE 名称	
SPOX 3.96 PITCH RECEPTACLE HOUSING	
DWG. NO.	REV
SD-5195-N	H

THIS DRAWING CONTAINS INFORMATION THAT IS PROPRIETARY TO MOLEX/JAPAN AND SHOULD NOT BE USED WITHOUT WRITTEN PERMISSION
本図面は日本モレックス(株)の所有する権利を含むもので当社の許可なく複製を禁止する。 EN-01C(032)MXJ-32

8 7 6 5 4 3 2 1