

# Customer Information Sheet

DRAWING No.: M80-510XXXX

SHEET 2 OF 2

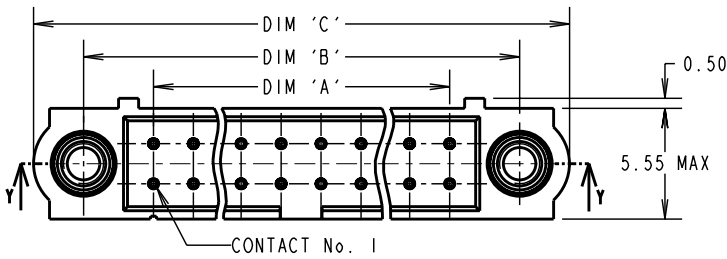
IF IN DOUBT - ASK

©

NOT TO SCALE

THIRD ANGLE PROJECTION

ALL DIMENSIONS IN mm



ORDER CODE:  
**M80-510XXXX**

No. OF CONTACTS  
04 TO 50  
(EVEN NUMBERS ONLY)

FINISH:  
05 - GOLD ALL OVER  
22 - SELECTIVE GOLD + TIN/LEAD  
42 - SELECTIVE GOLD + 100% TIN

**SPECIFICATIONS:**

**MATERIAL:**  
MOULDING = GLASS-FILLED PPS,  
UL94V-0, BLACK  
CONTACT = PHOSPHOR BRONZE  
JACKSCREW = STAINLESS STEEL

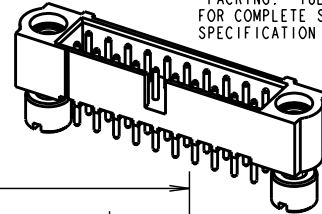
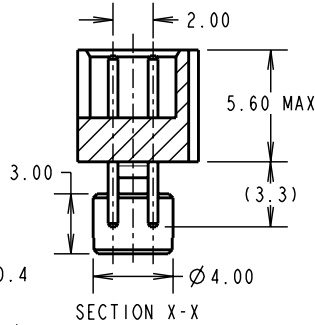
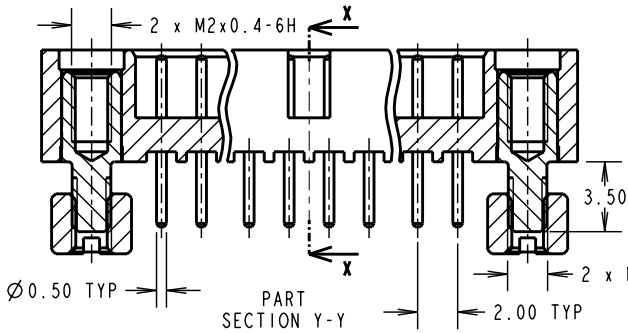
**FINISH (CONTACTS):**  
22 = 0.75µm GOLD ON CONTACT AREA,  
3µm 90/10 TIN/LEAD ON TAILS  
42 = 0.75µm GOLD ON CONTACT AREA,  
3µm 100% TIN ON TAILS  
05 = 0.75µm GOLD ALL OVER

**ELECTRICAL:**  
CURRENT RATING AT 25°C = 3.0A MAX  
CURRENT RATING AT 85°C = 2.2A MAX  
WORKING VOLTAGE = 120V AC/DC  
VOLTAGE PROOF = 360V AC/DC  
CONTACT RESISTANCE = 25 mΩ MAX  
INSULATION RESISTANCE = 100 MΩ MIN

**MECHANICAL:**  
DURABILITY = 500 OPERATIONS

**ENVIRONMENTAL:**  
TEMPERATURE RANGE = -55°C TO +125°C

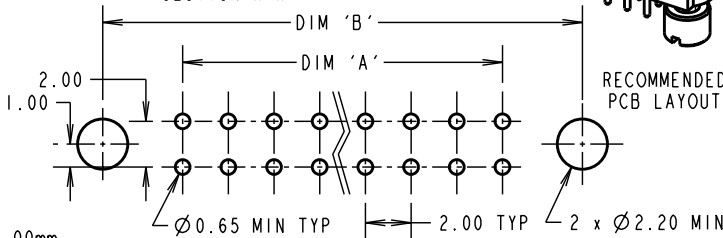
**PACKING:** TUBE  
FOR COMPLETE SPECIFICATION, SEE COMPONENT SPECIFICATION C005XX (LATEST ISSUE)



DIMENSION	CALCULATION
DIM 'A'	TOTAL No. OF CONTACTS - 2
DIM 'B'	TOTAL No. OF CONTACTS + 5
DIM 'C'	TOTAL No. OF CONTACTS + 10

EXAMPLE: CONNECTOR WITH 20 CONTACTS, GOLD ON CONTACT AREA AND 100% TIN ON TAIL, M80-5102042

DIM 'A' = 18.00mm DIM 'B' = 25.00mm DIM 'C' = 30.00mm



CP	H	04.12.09	10588
NAME	ISS.	DATE	C/NOTE
APPROVED: C.PENROSE			
CHECKED: R.ADDE			
DRAWN: W. J. BOURNE			
CUSTOMER REF.:			
ASSEMBLY DRG:			

**HARWIN**

HARWIN USA  
TEL: 603 893 5376  
FAX: 603 893 5396  
mis@harwin.com

HARWIN Europe (UK)  
TEL: 023 9231 4545  
FAX: 023 9231 4590  
mis@harwin.co.uk

HARWIN Asia  
TEL: +65 6 779 4909  
FAX: +65 6 779 3868  
mis@harwin.com.sg

THIS DRAWING AND ANY INFORMATION OR DESCRIPTIVE MATTER SET OUT HEREON ARE CONFIDENTIAL AND COPYRIGHT PROPERTY OF THE HARWIN GROUP AND MUST NOT BE DISCLOSED, LOANED, COPIED OR USED FOR MANUFACTURING, TENDERING OR FOR ANY OTHER PURPOSE WITHOUT THEIR WRITTEN PERMISSION.

**TOLERANCES**  
X. = ±1mm  
X.X = ±0.25mm  
X.XX = ±0.10mm  
X.XXX = ±0.01mm  
**ANGLES = ±5°**  
**UNLESS STATED**

**MATERIAL:**  
SEE ABOVE  
**FINISH:** SEE ABOVE  
**S/AREA:** mm<sup>2</sup>

**TITLE:** JACKSCREW DATAMATE  
DIL VERTICAL PC TAIL  
MALE ASSEMBLY (BOARD MOUNT)  
**DRAWING NUMBER:**  
**M80-510XXXX**  
SHT 2 OF 2