

LM4050

Precision Micropower Shunt Voltage Reference

General Description

Ideal for space critical applications, the LM4050 precision voltage reference is available in the sub-miniature (3 mm x 1.3 mm) SSOT-23 surface-mount package. The LM4050's design eliminates the need for an external stabilizing capacitor while ensuring stability with any capacitive load, thus making the LM4050 easy to use. Further reducing design effort is the availability of several fixed reverse breakdown voltages: 2.500V, 4.096V, 5.000V, 8.192V, and 10.000V. The minimum operating current increases from 60 μ A for the LM4050-2.5 to 100 μ A for the LM4050-10.0. All versions have a maximum operating current of 15 mA.

The LM4050 utilizes fuse and zener-zap reverse breakdown voltage trim during wafer sort to ensure that the prime parts have an accuracy of better than $\pm 0.1\%$ (A grade) at 25°C. Bandgap reference temperature drift curvature correction and low dynamic impedance ensure stable reverse breakdown voltage accuracy over a wide range of operating temperatures and currents.

All grades and voltage options of the LM4050 operate between -40°C and $+85^{\circ}\text{C}$. Selected parts can operate in the extended temperature range, from -40°C and $+125^{\circ}\text{C}$.

Features

- Small packages: SSOT-23
- No output capacitor required
- Tolerates capacitive loads
- Fixed reverse breakdown voltages of 2.500V, 4.096V, 5.000V, 8.192V, and 10.000V

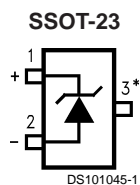
Key Specifications (LM4050-2.5)

- | | |
|--|---|
| ■ Output voltage tolerance (A grade, 25°C) | $\pm 0.1\%$ (max) |
| ■ Low output noise (10 Hz to 10 kHz) | 41 μV_{rms} (typ) |
| ■ Wide operating current range | 60 μA to 15 mA |
| ■ Industrial temperature range | -40°C to $+85^{\circ}\text{C}$ |
| ■ Extended temperature range | -40°C to $+125^{\circ}\text{C}$ |
| ■ Low temperature coefficient | 50 ppm/ $^{\circ}\text{C}$ (max) |

Applications

- Portable, Battery-Powered Equipment
- Data Acquisition Systems
- Instrumentation
- Process Control
- Energy Management
- Product Testing
- Automotive
- Precision Audio Components

Connection Diagrams



*This pin must be left floating or connected to pin 2.

Top View
See NS Package Number MF03A

Ordering Information

Industrial Temperature Range (–40 °C to +85 °C)

Reverse Breakdown Voltage Tolerance at 25°C and Average Reverse Breakdown Voltage Temperature Coefficient	LM4050 Supplied as 1000 Units, Tape and Reel	LM4050 Supplied as 3000 Units, Tape and Reel
±0.1%, 50 ppm/°C max (A grade)	LM4050AIM3-2.5	LM4050AIM3X-2.5
	LM4050AIM3-4.1	LM4050AIM3X-4.1
	LM4050AIM3-5.0	LM4050AIM3X-5.0
	LM4050AIM3-8.2	LM4050AIM3X-8.2
	LM4050AIM3-10	LM4050AIM3X-10
±0.2%, 50 ppm/°C max (B grade)	LM4050BIM3-2.5	LM4050BIM3X-2.5
	LM4050BIM3-4.1	LM4050BIM3X-4.1
	LM4050BIM3-5.0	LM4050BIM3X-5.0
	LM4050BIM3-8.2	LM4050BIM3X-8.2
	LM4050BIM3-10	LM4050BIM3X-10
±0.5%, 50 ppm/°C max (C grade)	LM4050CIM3-2.5	LM4050CIM3X-2.5
	LM4050CIM3-4.1	LM4050CIM3X-4.1
	LM4050CIM3-5.0	LM4050CIM3X-5.0
	LM4050CIM3-8.2	LM4050CIM3X-8.2
	LM4050CIM3-10	LM4050CIM3X-10

Extended Temperature Range (–40 °C to +125 °C)

Reverse Breakdown Voltage Tolerance at 25°C and Average Reverse Breakdown Voltage Temperature Coefficient	LM4050 Supplied as 1000 Units, Tape and Reel	LM4050 Supplied as 3000 Units, Tape and Reel
±0.5%, 50 ppm/°C max (C grade)	LM4050CEM3-2.5	LM4050CEM3X-2.5

SSOT-23 Package Marking Information

Only three fields of marking are possible on the SSOT-23's small surface. This table gives the meaning of the three fields.

Part Marking	Field Definition
RCA	First Field: R = Reference Second Field: C = 2.500V Voltage Option D = 4.096V Voltage Option E = 5.000V Voltage Option F = 8.192V Voltage Option G = 10.000V Voltage Option Third Field: A–C = Initial Reverse Breakdown Voltage or Reference Voltage Tolerance A = ±0.1%, B = ±0.2%, C = +0.5%,
RDA	
REA	
RFA	
RGA	
RCB	
RDB	
REB	
RFB	
RGB	
RCC	
RDC	
REC	
RFC	
RGC	

Absolute Maximum Ratings (Note 1)

If Military/Aerospace specified devices are required, please contact the National Semiconductor Sales Office/Distributors for availability and specifications.

Reverse Current	20 mA
Forward Current	10 mA
Power Dissipation ($T_A = 25^\circ\text{C}$) (Note 3)	
M3 Package	280 mW
Storage Temperature (Note 2)	-65°C to $+150^\circ\text{C}$
Lead Temperature	
M3 Package	
Vapor phase (60 seconds)	$+215^\circ\text{C}$
Infrared (15 seconds)	$+220^\circ\text{C}$
ESD Susceptibility	
Human Body Model (Note 4)	2 kV

Machine Model (Note 4)

200V

See AN-450 "Surface Mounting Methods and Their Effect on Product Reliability" for other methods of soldering surface mount devices.

Operating Ratings(Notes 1, 3)

Temperature Range	$(T_{\min} \leq T_A \leq T_{\max})$
Industrial Temperature Range	$-40^\circ\text{C} \leq T_A \leq +85^\circ\text{C}$
Extended temperature Range	$-40^\circ\text{C} \leq T_A \leq +125^\circ\text{C}$
Reverse Current	
LM4050-2.5	60 μA to 15 mA
LM4050-4.1	68 μA to 15 mA
LM4050-5.0	74 μA to 15 mA
LM4050-8.2	91 μA to 15 mA
LM4050-10.0	100 μA to 15 mA

LM4050-2.5
Electrical Characteristics

Boldface limits apply for $T_A = T_J = T_{\min}$ to T_{\max} ; all other limits $T_A = T_J = 25^\circ\text{C}$. The grades A, B and C designate initial Reverse Breakdown Voltage tolerances of $\pm 0.1\%$, $\pm 0.2\%$, and 0.5% respectively.

Symbol	Parameter	Conditions	Typical (Note 5)	LM4050AIM3 Limits (Note 6)	LM4050BIM3 Limits (Note 6)	LM4050CIM3 LM4050CEM3 Limits (Note 6)	Units (Limit)
V_R	Reverse Breakdown Voltage	$I_R = 100 \mu\text{A}$	2.500				V
	Reverse Breakdown Voltage Tolerance (Note 7)	$I_R = 100 \mu\text{A}$ Industrial Temp. Range Devices Extended Temp. Range Devices		± 2.5	± 5.0	± 13	mV (max)
				± 11	± 14	± 21	mV (max)
					± 25	mV (max)	
$I_{R\text{MIN}}$	Minimum Operating Current		41				μA
				60	60	60	μA (max)
				65	65	65	μA (max)
$\Delta V_R/\Delta T$	Average Reverse Breakdown Voltage Temperature Coefficient (Note 7)	$I_R = 10 \text{ mA}$	± 20				ppm/ $^\circ\text{C}$
		$I_R = 1 \text{ mA}$	± 15				ppm/ $^\circ\text{C}$
		$I_R = 100 \mu\text{A}$	± 15	± 50	± 50	± 50	ppm/ $^\circ\text{C}$ (max)
$\Delta V_R/\Delta I_R$	Reverse Breakdown Voltage Change with Operating Current Change (Note 8)	$I_{R\text{MIN}} \leq I_R \leq 1 \text{ mA}$	0.3				mV
				0.8	0.8	0.8	mV (max)
		$1 \text{ mA} \leq I_R \leq 15 \text{ mA}$		1.2	1.2	1.2	mV (max)
				2.3	6.0	6.0	6.0
			8.0	8.0	8.0	mV (max)	
Z_R	Reverse Dynamic Impedance	$I_R = 1 \text{ mA}$, $f = 120 \text{ Hz}$, $I_{AC} = 0.1 I_R$	0.3				Ω
e_N	Wideband Noise	$I_R = 100 \mu\text{A}$ $10 \text{ Hz} \leq f \leq 10 \text{ kHz}$	41				μV_{rms}
ΔV_R	Reverse Breakdown Voltage Long Term Stability	$t = 1000 \text{ hrs}$ $T = 25^\circ\text{C} \pm 0.1^\circ\text{C}$ $I_R = 100 \mu\text{A}$	120				ppm
V_{HYST}	Output Hysteresis	$\Delta T = -40^\circ\text{C}$ to 125°C	0.7				mV

LM4050-4.1 Electrical Characteristics (Industrial Temperature Range)

Boldface limits apply for $T_A = T_J = T_{MIN}$ to T_{MAX} ; all other limits $T_A = T_J = 25^\circ\text{C}$. The grades A, B and C designate initial Reverse Breakdown Voltage tolerances of $\pm 0.1\%$, $\pm 0.2\%$, and 0.5% respectively.

Symbol	Parameter	Conditions	Typical (Note 5)	LM4050AIM3	LM4050BIM3	LM4050CIM3	Units (Limit)
				Limits (Note 6)	Limits (Note 6)	Limits (Note 6)	
V_R	Reverse Breakdown Voltage	$I_R = 100 \mu\text{A}$	4.096				V
	Reverse Breakdown Voltage Tolerance (Note 7)	$I_R = 100 \mu\text{A}$		± 4.1 ± 18	± 8.2 ± 22	± 21 ± 34	mV (max) mV (max)
I_{RMIN}	Minimum Operating Current		52				μA
				68 73	68 73	68 73	μA (max) μA (max)
$\Delta V_R/\Delta T$	Average Reverse Breakdown Voltage Temperature Coefficient (Note 7)	$I_R = 10 \text{ mA}$	± 30				ppm/ $^\circ\text{C}$
		$I_R = 1 \text{ mA}$	± 20				ppm/ $^\circ\text{C}$
		$I_R = 100 \mu\text{A}$	± 20	± 50	± 50	± 50	ppm/ $^\circ\text{C}$ (max)
$\Delta V_R/\Delta I_R$	Reverse Breakdown Voltage Change with Operating Current Change (Note 8)	$I_{RMIN} \leq I_R \leq 1 \text{ mA}$	0.2				mV
				0.9 1.2	0.9 1.2	0.9 1.2	mV (max) mV (max)
		$1 \text{ mA} \leq I_R \leq 15 \text{ mA}$	2.0				mV
				7.0 10.0	7.0 10.0	7.0 10.0	mV (max) mV (max)
Z_R	Reverse Dynamic Impedance	$I_R = 1 \text{ mA}$, $f = 120 \text{ Hz}$, $I_{AC} = 0.1 I_R$	0.5				Ω
e_N	Wideband Noise	$I_R = 100 \mu\text{A}$ $10 \text{ Hz} \leq f \leq 10 \text{ kHz}$	93				μV_{rms}
ΔV_R	Reverse Breakdown Voltage Long Term Stability	$t = 1000 \text{ hrs}$ $T = 25^\circ\text{C} \pm 0.1^\circ\text{C}$ $I_R = 100 \mu\text{A}$	120				ppm
V_{HYST}	Output Hysteresis	$\Delta T = -40^\circ\text{C}$ to 125°C	1.148				mV

LM4050-5.0 Electrical Characteristics (Industrial Temperature Range)

Boldface limits apply for $T_A = T_J = T_{MIN}$ to T_{MAX} ; all other limits $T_A = T_J = 25^\circ\text{C}$. The grades A, B and C designate initial Reverse Breakdown Voltage tolerances of $\pm 0.1\%$, $\pm 0.2\%$ and 0.5% respectively.

Symbol	Parameter	Conditions	Typical (Note 5)	LM4050AIM3	LM4050BIM3	LM4050CIM3	Units (Limit)	
				Limits (Note 6)	Limits (Note 6)	Limits (Note 6)		
V_R	Reverse Breakdown Voltage	$I_R = 100 \mu\text{A}$	5.000				V	
	Reverse Breakdown Voltage Tolerance (Note 7)	$I_R = 100 \mu\text{A}$		± 5.0 ± 22	± 10 ± 27	± 25 ± 42	mV (max) mV (max)	
I_{RMIN}	Minimum Operating Current		56	74 80	74 80	74 80	μA μA (max) μA (max)	
		$I_R = 10 \text{ mA}$	± 30				ppm/ $^\circ\text{C}$	
		$I_R = 1 \text{ mA}$	± 20				ppm/ $^\circ\text{C}$	
$\Delta V_R/\Delta T$	Average Reverse Breakdown Voltage Temperature Coefficient (Note 7)	$I_R = 100 \mu\text{A}$	± 20	± 50	± 50	± 50	ppm/ $^\circ\text{C}$ (max)	
		Reverse Breakdown Voltage Change with Operating Current Change (Note 8)	$I_{RMIN} \leq I_R \leq 1 \text{ mA}$	0.2	1.0 1.4	1.0 1.4	1.0 1.4	mV mV (max) mV (max)
			$1 \text{ mA} \leq I_R \leq 15 \text{ mA}$	2.0	8.0 12.0	8.0 12.0	8.0 12.0	mV mV (max) mV (max)
Z_R	Reverse Dynamic Impedance	$I_R = 1 \text{ mA}$, $f = 120 \text{ Hz}$, $I_{AC} = 0.1 I_R$	0.5				Ω Ω (max)	
e_N	Wideband Noise	$I_R = 100 \mu\text{A}$ $10 \text{ Hz} \leq f \leq 10 \text{ kHz}$	93				μV_{rms}	
ΔV_R	Reverse Breakdown Voltage Long Term Stability	$t = 1000 \text{ hrs}$ $T = 25^\circ\text{C} \pm 0.1^\circ\text{C}$ $I_R = 100 \mu\text{A}$	120				ppm	
V_{HYST}	Output Hysteresis	$\Delta T = -40^\circ\text{C}$ to 125°C	1.4				mV	

LM4050-8.2 Electrical Characteristics (Industrial Temperature Range)

Boldface limits apply for $T_A = T_J = T_{MIN}$ to T_{MAX} ; all other limits $T_A = T_J = 25^\circ\text{C}$. The grades A, B and C designate initial Reverse Breakdown Voltage tolerances of $\pm 0.1\%$ and $\pm 0.2\%$ and 0.5% respectively.

Symbol	Parameter	Conditions	Typical (Note 5)	LM4050AIM3	LM4050BIM3	LM4050CIM3	Units (Limit)	
				Limits (Note 6)	Limits (Note 6)	Limits (Note 6)		
V_R	Reverse Breakdown Voltage	$I_R = 150 \mu\text{A}$	8.192				V	
	Reverse Breakdown Voltage Tolerance (Note 7)	$I_R = 150 \mu\text{A}$		± 8.2 ± 35	± 16 ± 43	± 41 ± 68	mV (max) mV (max)	
I_{RMIN}	Minimum Operating Current		74	91 95	91 95	91 95	μA μA (max) μA (max)	
		Average Reverse Breakdown Voltage Temperature Coefficient (Note 7)	$I_R = 10 \text{ mA}$	± 40				ppm/ $^\circ\text{C}$
			$I_R = 1 \text{ mA}$	± 20				ppm/ $^\circ\text{C}$
$\Delta V_R / \Delta I_R$	Reverse Breakdown Voltage Change with Operating Current Change (Note 8)	$I_{RMIN} \leq I_R \leq 1 \text{ mA}$	0.6	1.3 2.5	1.3 2.5	1.3 2.5	mV mV (max) mV (max)	
		$1 \text{ mA} \leq I_R \leq 15 \text{ mA}$	7.0	10.0 18.0	10.0 18.0	10.0 18.0	mV mV (max) mV (max)	
Z_R	Reverse Dynamic Impedance	$I_R = 1 \text{ mA}$, $f = 120 \text{ Hz}$, $I_{AC} = 0.1 I_R$	0.6				Ω	
e_N	Wideband Noise	$I_R = 150 \mu\text{A}$ $10 \text{ Hz} \leq f \leq 10 \text{ kHz}$	150				μV_{rms}	
ΔV_R	Reverse Breakdown Voltage Long Term Stability	$t = 1000 \text{ hrs}$ $T = 25^\circ\text{C} \pm 0.1^\circ\text{C}$ $I_R = 150 \mu\text{A}$	120				ppm	
V_{HYST}	Output Hysteresis	$\Delta T = -40^\circ\text{C}$ to 125°C	2.3				mV	

LM4050-10.0**Electrical Characteristics (Industrial Temperature Range)**

Boldface limits apply for $T_A = T_J = T_{MIN}$ to T_{MAX} ; all other limits $T_A = T_J = 25^\circ\text{C}$. The grades A, B and C designate initial Reverse Breakdown Voltage tolerances of $\pm 0.1\%$ and $\pm 0.2\%$ and 0.5% respectively.

Symbol	Parameter	Conditions	Typical (Note 5)	LM4050AIM3	LM4050BIM3	LM4050CIM3	Units (Limit)
				Limits (Note 6)	Limits (Note 6)	Limits (Note 6)	
V_R	Reverse Breakdown Voltage	$I_R = 150 \mu\text{A}$	10.00				V
	Reverse Breakdown Voltage Tolerance (Note 7)	$I_R = 150 \mu\text{A}$		± 10 ± 43	± 20 ± 53	± 50 ± 83	mV (max) mV (max)
I_{RMIN}	Minimum Operating Current		80	100 103	100 103	100 103	μA μA (max) μA (max)
$\Delta V_R/\Delta T$	Average Reverse Breakdown Voltage Temperature Coefficient (Note 7)	$I_R = 10 \text{ mA}$ $I_R = 1 \text{ mA}$ $I_R = 150 \mu\text{A}$	± 40				ppm/ $^\circ\text{C}$
			± 20				ppm/ $^\circ\text{C}$
			± 20	± 50	± 50	± 50	ppm/ $^\circ\text{C}$ (max)
$\Delta V_R/\Delta I_R$	Reverse Breakdown Voltage Change with Operating Current Change (Note 8)	$I_{RMIN} \leq I_R \leq 1 \text{ mA}$ $1 \text{ mA} \leq I_R \leq 15 \text{ mA}$	0.8	1.5 3.5	1.5 3.5	1.5 3.5	mV mV (max) mV (max)
			8.0	12.0 23.0	12.0 23.0	12.0 23.0	mV mV (max) mV (max)
Z_R	Reverse Dynamic Impedance	$I_R = 1 \text{ mA}$, $f = 120 \text{ Hz}$, $I_{AC} = 0.1 I_R$	0.7				Ω
e_N	Wideband Noise	$I_R = 150 \mu\text{A}$ $10 \text{ Hz} \leq f \leq 10 \text{ kHz}$	150				μV_{rms}
ΔV_R	Reverse Breakdown Voltage Long Term Stability	$t = 1000 \text{ hrs}$ $T = 25^\circ\text{C} \pm 0.1^\circ\text{C}$ $I_R = 150 \mu\text{A}$	120				ppm
V_{HYST}	Output Hysteresis	$\Delta T = -40^\circ\text{C}$ to 125°C	2.8				mV

Note 1: Absolute Maximum Ratings indicate limits beyond which damage to the device may occur. Operating Ratings indicate conditions for which the device is functional, but do not guarantee specific performance limits. For guaranteed specifications and test conditions, see the Electrical Characteristics. The guaranteed specifications apply only for the test conditions listed. Some performance characteristics may degrade when the device is not operated under the listed test conditions.

Note 2: If parts are exposed to temperatures outside the specific operating temperature range, the output may shift due to hysteresis.

Note 3: The maximum power dissipation must be derated at elevated temperatures and is dictated by T_{Jmax} (maximum junction temperature), θ_{JA} (junction to ambient thermal resistance), and T_A (ambient temperature). The maximum allowable power dissipation at any temperature is $PD_{max} = (T_{Jmax} - T_A)/\theta_{JA}$ or the number given in the Absolute Maximum Ratings, whichever is lower. For the LM4050, $T_{Jmax} = 125^\circ\text{C}$, and the typical thermal resistance (θ_{JA}), when board mounted, is 326°C/W for the SSOT-23 package.

Note 4: The human body model is a 100 pF capacitor discharged through a $1.5 \text{ k}\Omega$ resistor into each pin. The machine model is a 200 pF capacitor discharged directly into each pin.

Note 5: Typicals are at $T_J = 25^\circ\text{C}$ and represent most likely parametric norm.

Note 6: Limits are 100% production tested at 25°C . Limits over temperature are guaranteed through correlation using Statistical Quality Control (SQC) methods. The limits are used to calculate National's AOQL.

Note 7: The boldface (over-temperature) limit for Reverse Breakdown Voltage Tolerance is defined as the room temperature Reverse Breakdown Voltage Tolerance $\pm[(\Delta V_R/\Delta T)(\max\Delta T)(V_R)]$. Where, $\Delta V_R/\Delta T$ is the V_R temperature coefficient, $\max\Delta T$ is the maximum difference in temperature from the reference point of 25°C to T_{MIN} or T_{MAX} , and V_R is the reverse breakdown voltage. The total over-temperature tolerance for the different grades in the industrial temperature range where $\max\Delta T = 65^\circ\text{C}$ is shown below:

$$\text{A-grade: } \pm 0.425\% = \pm 0.1\% \pm 50 \text{ ppm}/^\circ\text{C} \times 65^\circ\text{C}$$

$$\text{B-grade: } \pm 0.525\% = \pm 0.2\% \pm 50 \text{ ppm}/^\circ\text{C} \times 65^\circ\text{C}$$

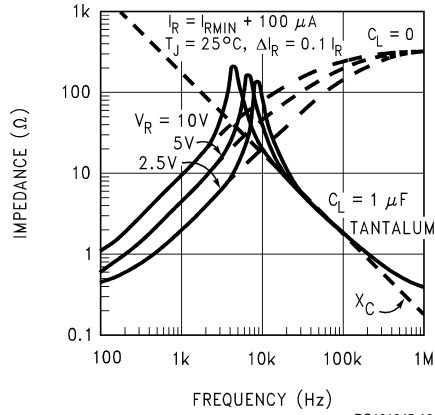
$$\text{C-grade: } \pm 0.825\% = \pm 0.5\% \pm 50 \text{ ppm}/^\circ\text{C} \times 65^\circ\text{C}$$

Therefore, as an example, the A-grade LM4050-2.5 has an over-temperature Reverse Breakdown Voltage tolerance of $\pm 2.5\text{V} \times 0.425\% = \pm 11 \text{ mV}$.

Note 8: Load regulation is measured on pulse basis from no load to the specified load current. Output changes due to die temperature change must be taken into account separately.

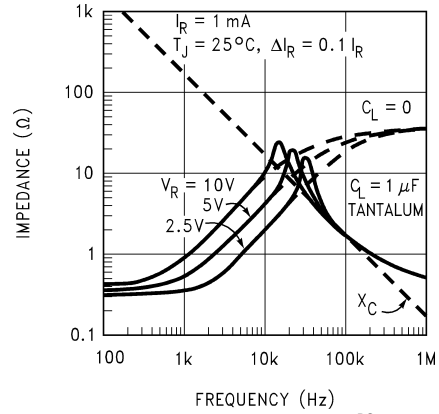
Typical Performance Characteristics

Output Impedance vs Frequency



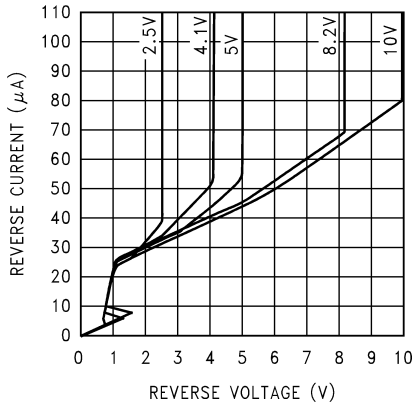
DS101045-10

Output Impedance vs Frequency



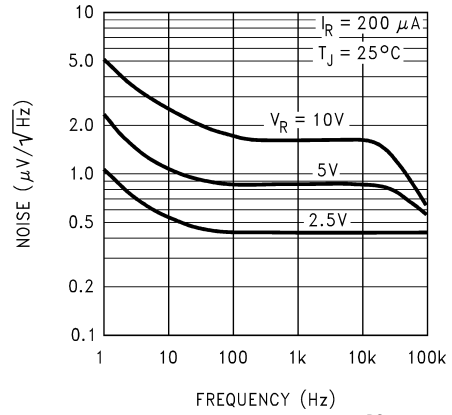
DS101045-11

Reverse Characteristics and Minimum Operating Current



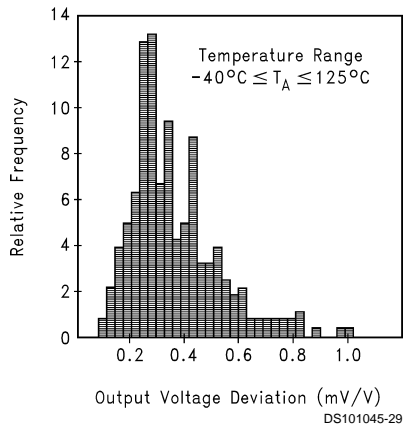
DS101045-12

Noise Voltage vs Frequency



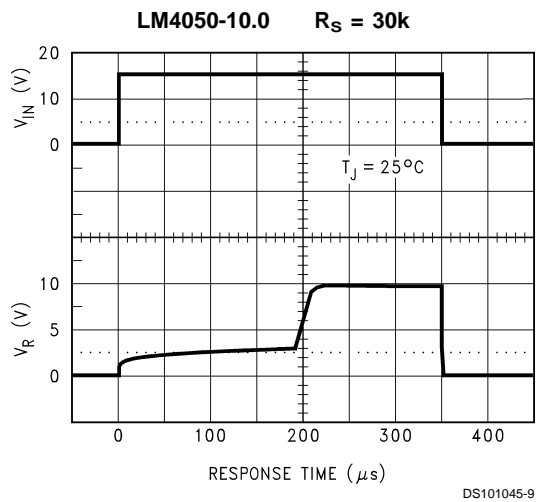
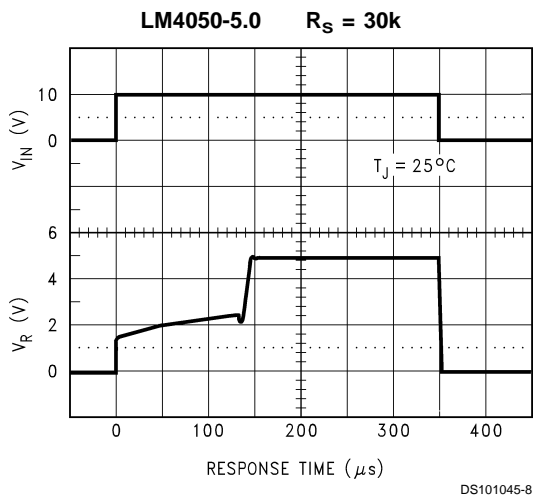
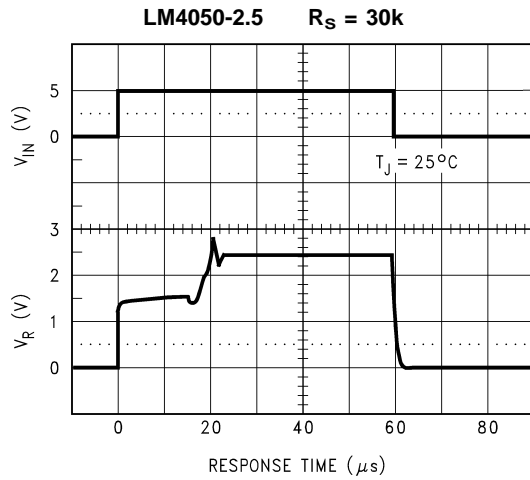
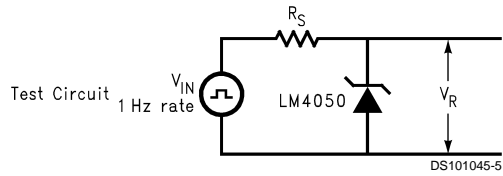
DS101045-13

Thermal Hysteresis

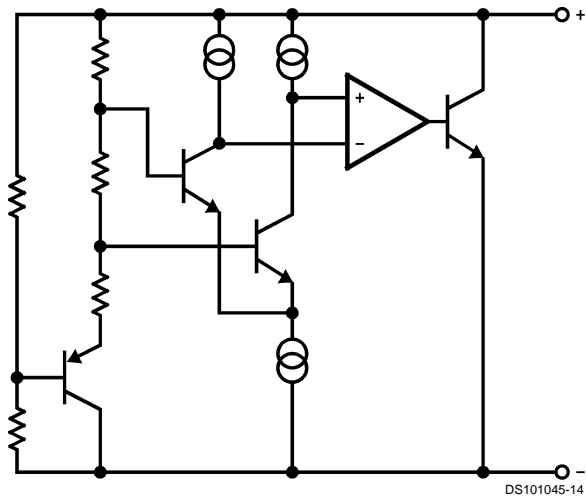


DS101045-29

Start-Up Characteristics



Functional Block Diagram



Applications Information

The LM4050 is a precision micro-power curvature-corrected bandgap shunt voltage reference. For space critical applications, the LM4050 is available in the sub-miniature SSOT-23 surface-mount package. The LM4050 has been designed for stable operation without the need of an external capacitor connected between the “+” pin and the “-” pin. If, however, a bypass capacitor is used, the LM4050 remains stable. Reducing design effort is the availability of several fixed reverse breakdown voltages: 2.500V, 4.096V, 5.000V, 8.192V, and 10.000V. The minimum operating current increases from 60 μ A for the LM4050-2.5 to 100 μ A for the LM4050-10.0. All versions have a maximum operating current of 15 mA.

LM4050s in the SSOT-23 packages have a parasitic Schottky diode between pin 2 (-) and pin 3 (Die attach interface contact). Therefore, pin 3 of the SSOT-23 package must be left floating or connected to pin 2.

The 4.096V version allows single +5V 12-bit ADCs or DACs to operate with an LSB equal to 1 mV. For 12-bit ADCs or DACs that operate on supplies of 10V or greater, the 8.192V version gives 2 mV per LSB.

In a conventional shunt regulator application (*Figure 1*), an external series resistor (R_S) is connected between the supply voltage and the LM4050. R_S determines the current that flows through the load (I_L) and the LM4050 (I_Q). Since load current and supply voltage may vary, R_S should be small enough to supply at least the maximum guaranteed I_{RMIN}

(spec. table) to the LM4050 even when the supply voltage is at its minimum and the load current is at its maximum value. When the supply voltage is at its maximum and I_L is at its minimum, R_S should be large enough so that the current flowing through the LM4050 is less than 15 mA.

R_S is determined by the supply voltage, (V_S), the load and operating current, (I_L and I_Q), and the LM4050's reverse breakdown voltage, V_R .

$$R_S = \frac{V_S - V_R}{I_L + I_Q}$$

Typical Applications

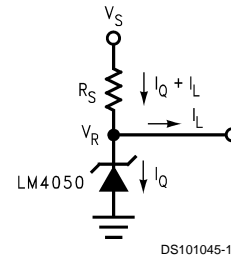
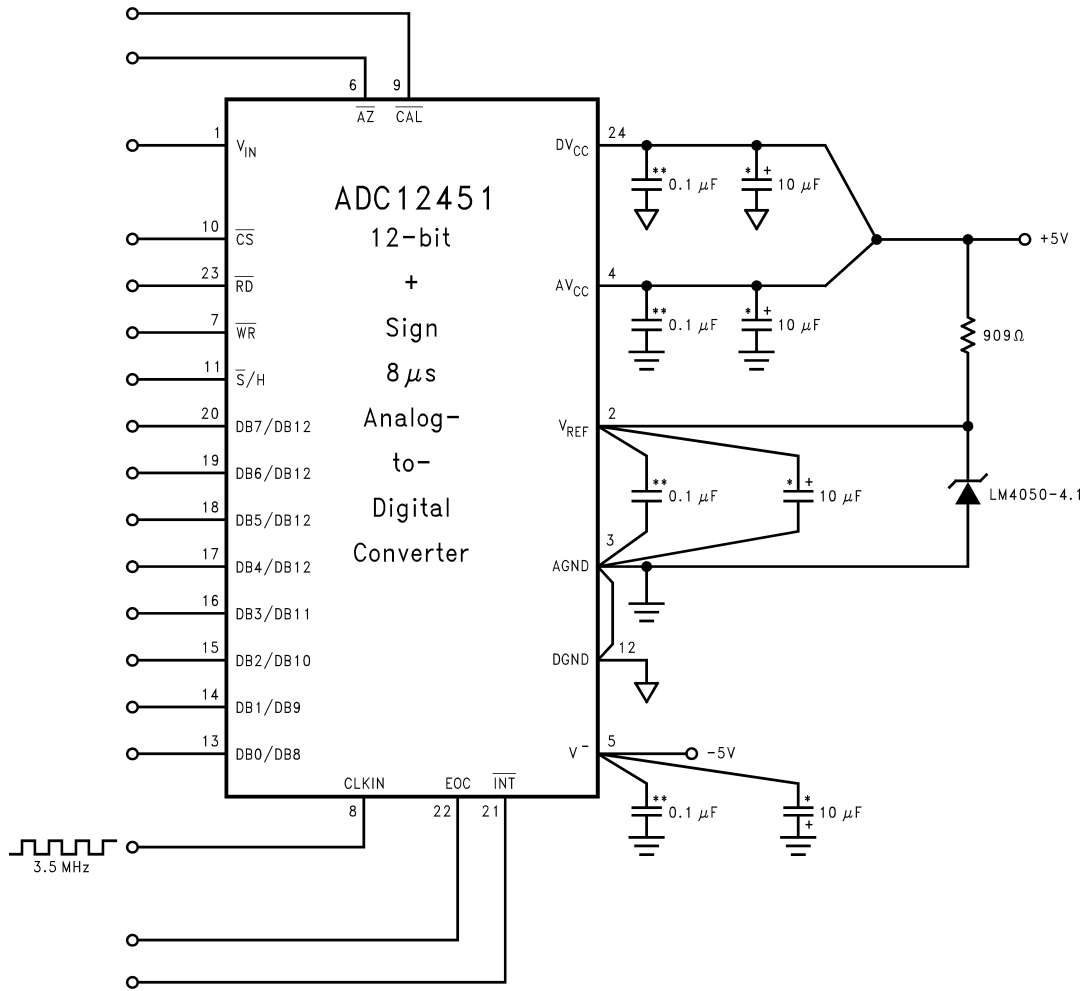


FIGURE 1. Shunt Regulator

Typical Applications (Continued)

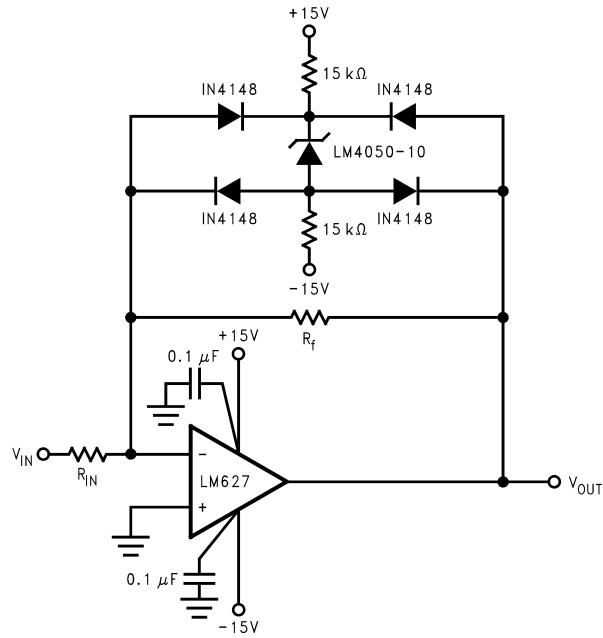


DS101045-16

**Ceramic monolithic
*Tantalum

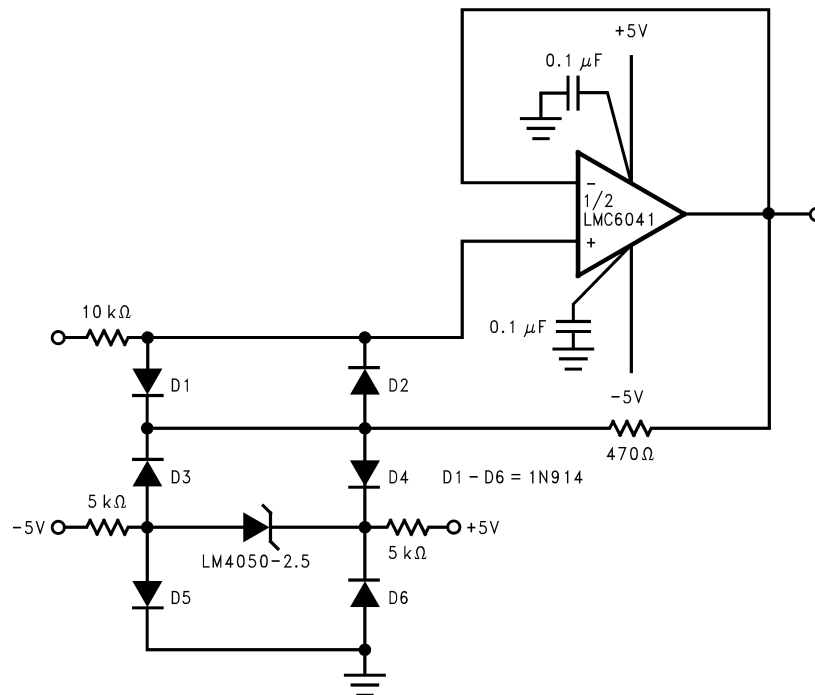
FIGURE 2. LM4050-4.1's Nominal 4.096 breakdown voltage gives ADC12451 1 mV/LSB

Typical Applications (Continued)



DS101045-17

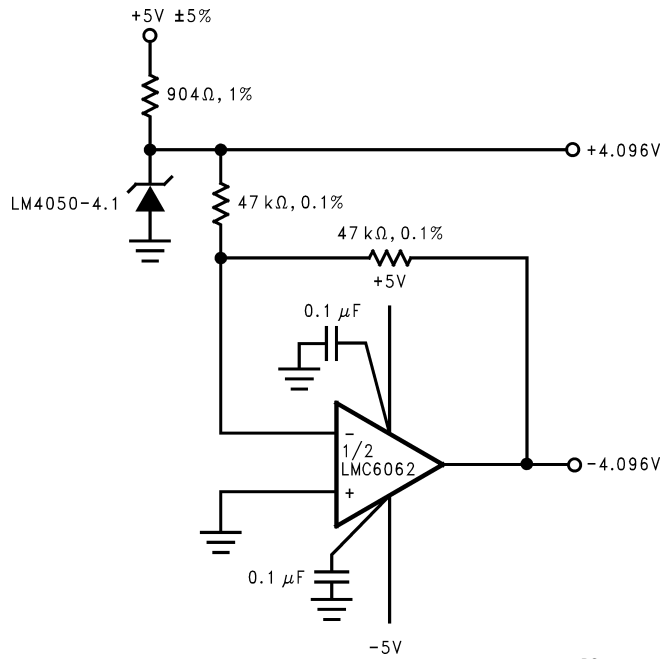
FIGURE 3. Bounded amplifier reduces saturation-induced delays and can prevent succeeding stage damage. Nominal clamping voltage is $\pm 11.5\text{V}$ (LM4050's reverse breakdown voltage $+2$ diode V_F).



DS101045-18

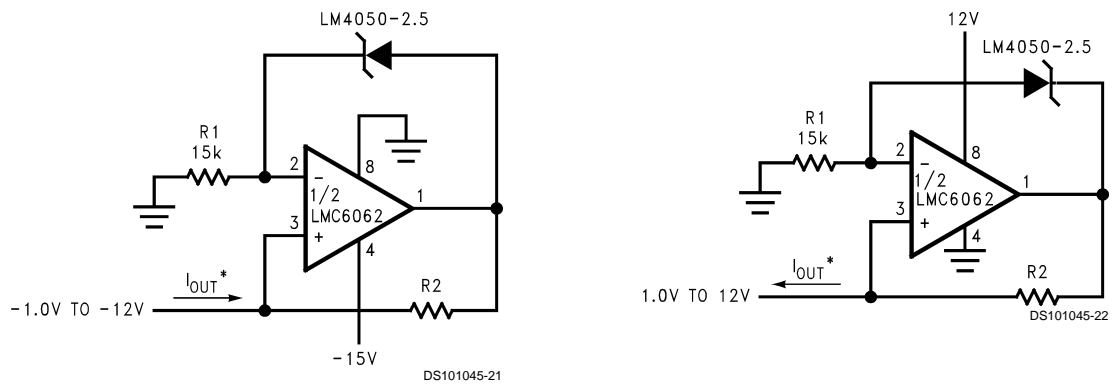
FIGURE 4. Protecting Op Amp input. The bounding voltage is $\pm 4\text{V}$ with the LM4050-2.5 (LM4050's reverse breakdown voltage $+3$ diode V_F).

Typical Applications (Continued)



DS101045-19

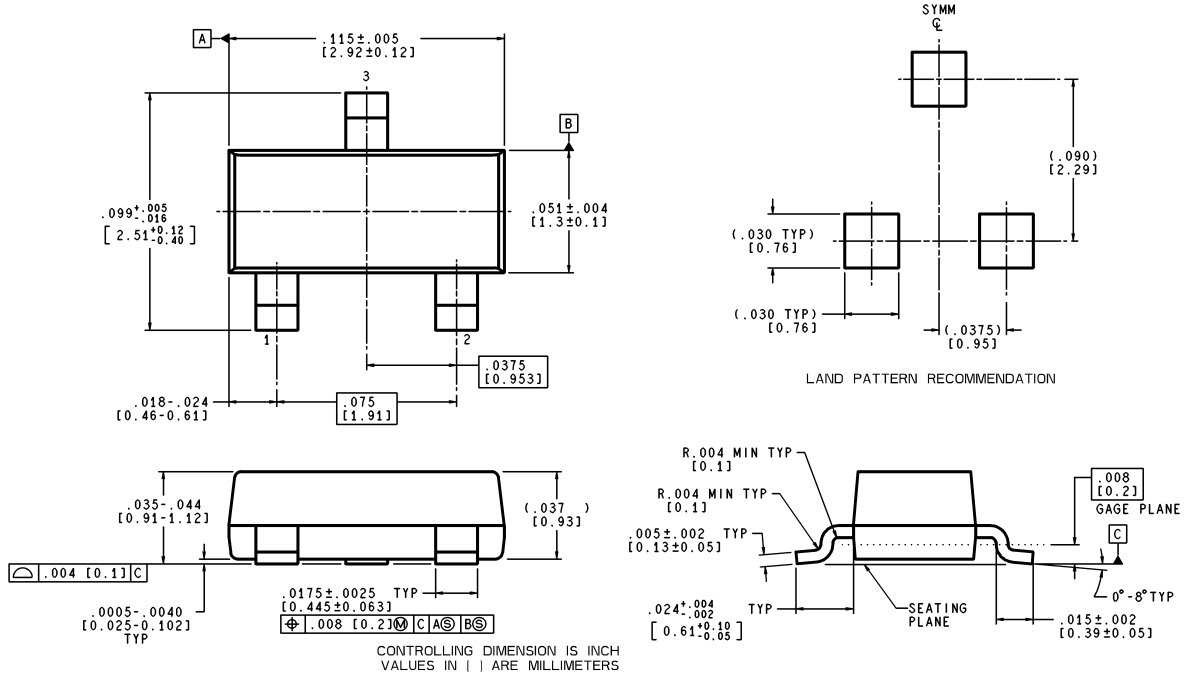
FIGURE 5. Precision ±4.096V Reference



$$I_{OUT} = \frac{2.5V}{R2}$$

FIGURE 6. Precision 1 μA to 1 mA Current Sources

Physical Dimensions inches (millimeters) unless otherwise noted



**Plastic Surface Mount Package (M3)
NS Package Number MF03A
(JEDEC Registration TO-236AB)**

MF03A (Rev A)

LIFE SUPPORT POLICY

NATIONAL'S PRODUCTS ARE NOT AUTHORIZED FOR USE AS CRITICAL COMPONENTS IN LIFE SUPPORT DEVICES OR SYSTEMS WITHOUT THE EXPRESS WRITTEN APPROVAL OF THE PRESIDENT AND GENERAL COUNSEL OF NATIONAL SEMICONDUCTOR CORPORATION. As used herein:

1. Life support devices or systems are devices or systems which, (a) are intended for surgical implant into the body, or (b) support or sustain life, and whose failure to perform when properly used in accordance with instructions for use provided in the labeling, can be reasonably expected to result in a significant injury to the user.
2. A critical component is any component of a life support device or system whose failure to perform can be reasonably expected to cause the failure of the life support device or system, or to affect its safety or effectiveness.



National Semiconductor Corporation
Americas
Tel: 1-800-272-9959
Fax: 1-800-737-7018
Email: support@nsc.com
www.national.com

National Semiconductor Europe
Fax: +49 (0) 180-530 85 86
Email: europe.support@nsc.com
Deutsch Tel: +49 (0) 69 9508 6208
English Tel: +44 (0) 870 24 0 2171
Français Tel: +33 (0) 1 41 91 8790

National Semiconductor Asia Pacific Customer Response Group
Tel: 65-2544466
Fax: 65-2504466
Email: ap.support@nsc.com

National Semiconductor Japan Ltd.
Tel: 81-3-5639-7560
Fax: 81-3-5639-7507