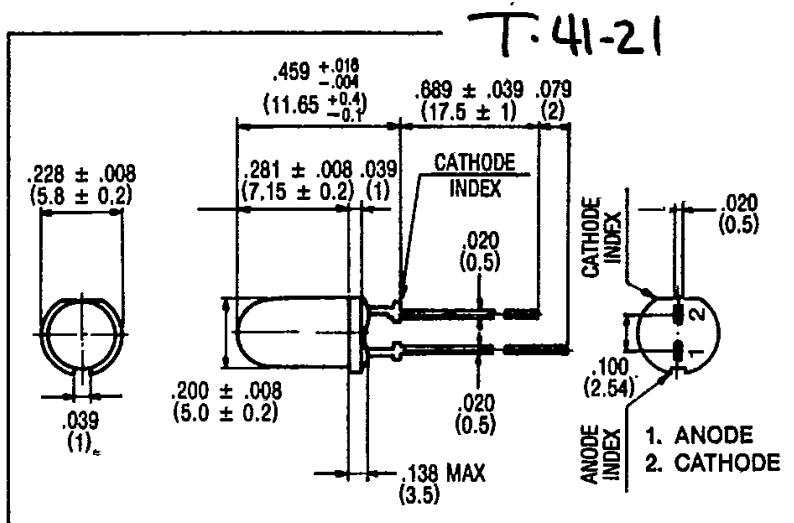
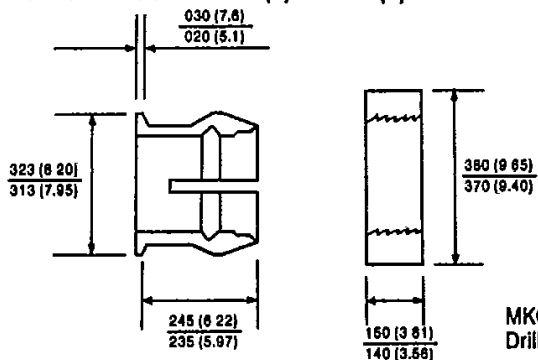


T-1³/₄ LED LAMPS WITH STANDOFFS

FEATURES

- Excellent on/off contrast ratio.
- Standoffs provide protection to LED die when used in solder bath.
- Capable of pulse operation.
- Special brightness and wavelength sorting is available.

OPTIONAL MOUNTING RING(R) AND CLIP(C)



MKC-200 R/C can be used with panels up to .125 inch (3.18 mm) thick.
 Drill .257 inch dia. (6.53 mm) hole ("F" drill).

MAXIMUM RATINGS (Ta = 25°C)

PART NO.	FORWARD CURRENT (If) (mA)	REVERSE VOLTAGE (VR) (V)	POWER DISSIPATION (PD) (mW)	OPERATING TEMPERATURE (Topr) (°C)	STORAGE TEMPERATURE (Tstg) (°C)
MT130-HR	25	4	100	-20 ~ 75	-30 ~ 100
MT140-HR	25	4	100	-20 ~ 75	-30 ~ 100
MT130-G	25	4	100	-20 ~ 75	-30 ~ 100
MT140-G	25	4	100	-20 ~ 75	-30 ~ 100
MT130-Y	25	4	100	-20 ~ 75	-30 ~ 100
MT140-Y	25	4	100	-20 ~ 75	-30 ~ 100
MT130-O	25	4	100	-20 ~ 75	-30 ~ 100
MT140-O	25	4	100	-20 ~ 75	-30 ~ 100
MT130-UR	25	4	55	-20 ~ 75	-30 ~ 100
MT140-UR	25	4	55	-20 ~ 75	-30 ~ 100
MT200-UR	25	4	55	-20 ~ 75	-30 ~ 100

OPTO-ELECTRICAL CHARACTERISTICS (Ta = 25°C)

PART NO.	MATERIAL	LENS COLOR	VIEWING ANGLE	LUMINOUS INTENSITY (mcd)			FORWARD VOLTAGE (v)			REVERSE CURRENT		PEAK WAVELENGTH (nm)	SPEC. LINE HALF WIDTH (nm)
			typ.	min.	typ.	@mA	typ.	max.	@mA	μA	Vr		
MT130-HR	GaAsP/GaP	Red/Clear	50°	5.0	15	15	2.1	2.8	20	100	4	635	40
MT140-HR	GaAsP/GaP	Red/Diff	80°	3.0	7	15	2.1	2.8	20	100	4	635	40
MT130-G	GaP/GaP	Green/Clear	50°	3.0	17	15	2.1	2.8	20	5	4	565	25
MT140-G	GaP/GaP	Green/Diff	80°	.8	5	15	2.1	2.8	20	5	4	565	25
MT130-Y	GaAsP/GaP	Yellow/Clear	50°	1.0	9	15	2.1	2.8	20	100	4	585	32
MT140-Y	GaAsP/GaP	Yellow/Diff	80°	.8	5	15	2.1	2.8	20	100	4	585	32
MT130-O	GaAsP/GaP	Orange/Clear	50°	1.0	8	15	2.1	2.8	20	100	4	610	35
MT140-O	GaAsP/GaP	Orange/Diff	80°	.8	4	15	2.1	2.8	20	100	4	610	35
MT130-UR	GaAlAs	Red/Clear	50°	5.0	20	20	1.75	2.2	20	100	4	660	25
MT140-UR	GaAlAs	Red/Diff	80°	4.0	15	20	1.75	2.2	20	100	4	660	25
MT200-UR	GaAlAs	Red/Clear	50°	6.0	22	20	1.75	2.2	20	100	4	660	25