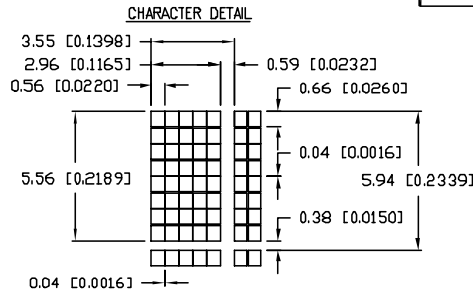


UNCONTROLLED DOCUMENT

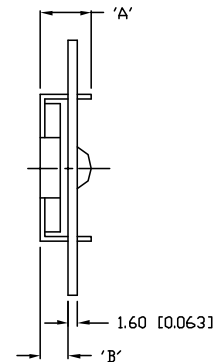
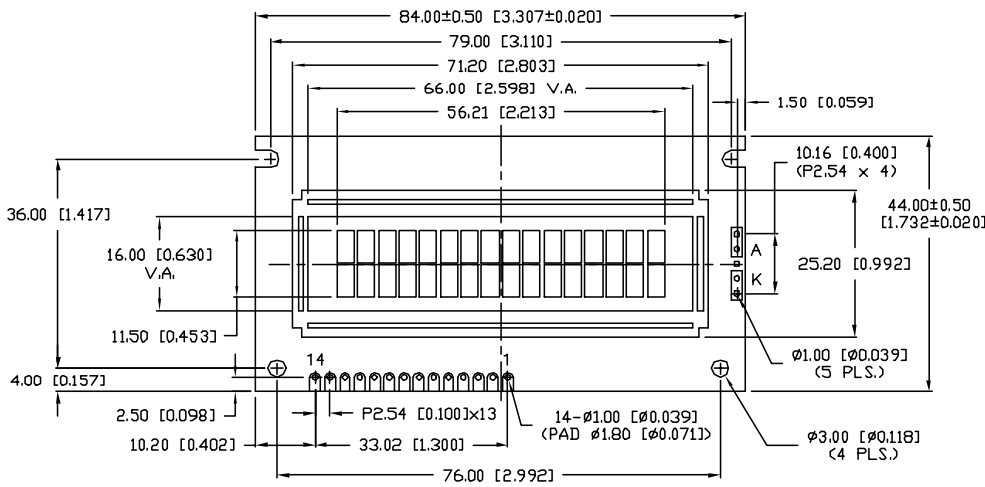
| | | |
|-----------------|-------------------------------------|--------|
| PART NUMBER | | REV. |
| LCM-X01602DXX/B | | A |
| REV. | E.C.N. NUMBER AND REVISION COMMENTS | DATE |
| A | E.C.N. #10BRDR. & REDRAWN. | 9-3-98 |

| LCM-X | DX | DESCRIPTION |
|------------|----|----------------------------------|
| STANDARD | S | STN, REFLECTIVE |
| | SF | STN, TRANSFLECTIVE(W/ BACKLIGHT) |
| HIGH TEMP. | TR | TN, REFLECTIVE |
| | TF | TN, TRANSFLECTIVE(W/ BACKLIGHT) |

CAUTION: STATIC SENSITIVE DEVICE
FOLLOW PROPER E.S.D. HANDLING PROCEDURES
WHEN WORKING WITH THIS PART.



| TYPE | DIM. | A | B |
|----------------|------|------|-----|
| WITH BACKLIGHT | | 12.7 | 8.7 |
| NO BACKLIGHT | | 8.8 | 4.8 |



UNCONTROLLED DOCUMENT
*UNLESS OTHERWISE SPECIFIED TOLERANCE IS ±0.25mm (±0.010")

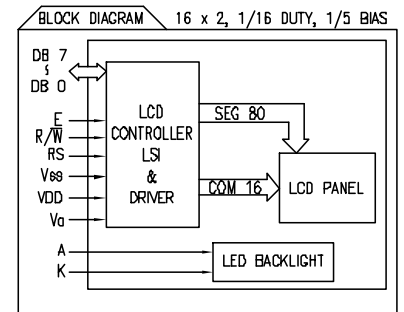
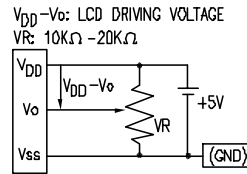
| | | | |
|---|--------------------------------|---|---|
| REV. A | PART NUMBER LCM-X01602DXX/B | <p>CONFIDENTIAL INFORMATION THE INFORMATION CONTAINED IN THIS DOCUMENT IS THE PROPERTY OF LUMEX INC. EXCEPT AS SPECIALLY AUTHORIZED IN WRITING BY LUMEX INC. THE HOLDER OF THIS DOCUMENT SHALL KEEP ALL INFORMATION CONTAINED HEREIN CONFIDENTIAL AND SHALL PROTECT SAME IN WHOLE OR IN PART FROM DISCLOSURE AND DISSEMINATION TO ALL THIRD PARTIES.</p> <p>RELIABILITY NOTE OUR MANY YEARS OF EXPERIENCE DATA ACCUMULATION INDICATE THAT SOLDER HEAT IS A MAJOR CAUSE OF EARLY AND FUTURE FAILURE. PLEASE PAY ATTENTION TO YOUR SOLDERING PROCESS.</p> | <p>LUMEX INCORPORATED</p> <p>290 E. HELLEN ROAD PALATINE, ILLINOIS 60067 PHONE: 1-847-359-2790 WEB: HTTP://WWW.LUMEX.COM</p> |
| 5.56mm CHARACTER HEIGHT, 5 x 8 DOT MATRIX, 16 x 2 LCD MODULE, 1/16 DUTY, 1/5 BIAS. | | DRAWN BY: SA/BC | CHECKED BY: APPROVED BY: DATE: 4-28-98 PAGE: 1 OF 2 SCALE: N/A |

UNCONTROLLED DOCUMENT

| | | |
|-----------------|-------------------------------------|------|
| PART NUMBER | | REV. |
| LCM-X01602DXX/B | | A |
| REV. | E.C.N. NUMBER AND REVISION COMMENTS | DATE |
| | SEE PAGE #1./ | |

PIN CONFIGURATION

| PIN NO. | SYMBOL | LEVEL | FUNCTION |
|---------|-----------------|--------|---|
| 1 | V _{SS} | - | POWER SUPPLY |
| 2 | V _{DD} | - | |
| 3 | V _O | - | |
| 4 | RS | H/L | REGISTER SELECT SIGNAL H: DATA INPUT L: INSTRUCTION INPUT |
| 5 | R/W | H/L | H: DATA READ (MODULE-->MPU) L: DATA WRITE (MODULE<--MPU) |
| 6 | E | H,H->L | ENABLE |
| 7~14 | DB0~DB7 | H/L | DATA BUS-SOFTWARE SELECTABLE 4 OR 8 BIT MODE. |



ELECTRICAL CHARACTERISTICS

V_{DD}=4.7V to 5.3V, T_A=25°C

| ITEM | SYMBOL | CONDITION | STANDARD VALUE | | | UNIT | |
|--------------------------|----------------------------------|---------------------|-----------------------|------|------|-----------------|-------------------|
| | | | MIN. | TYP. | MAX. | | |
| SUPPLY VOLTAGE FOR LOGIC | V _{DD} -V _{SS} | - | - | 5.0 | - | V | |
| SUPPLY CURRENT FOR LOGIC | I _{DD} | V _{DD} =5V | - | 2.0 | 3.0 | mA | |
| INPUT VOLTAGE | HIGH | V _{IH} | - | 2.2 | - | V _{DD} | |
| | LOW | V _{IL} | - | 0 | - | 0.6 | |
| OUTPUT VOLTAGE | HIGH | V _{OH} | - | 2.4 | - | V | |
| | LOW | V _{OL} | - | - | 0.4 | V | |
| *LED BACKLIGHT | VOLTAGE | V _F | I _F =160mA | - | 4.2 | 4.6 | V |
| | CURRENT | I _F | - | - | 160 | - | mA |
| | POWER CONSUMPTION | P _D | - | - | 656 | - | mW |
| | LUMINOUS | L | I _F =160mA | 70 | - | - | cd/m ² |
| | COLOR | - | - | - | - | - | nm |

*ONLY APPLIES TO MODULES WITH BACKLIGHT

ABSOLUTE MAXIMUM RATINGS

| ITEM | SYMBOL | TEST CONDITION | STANDARD VALUE | | UNIT |
|------------------------------|----------------------------------|----------------------|-----------------|-----------------|------|
| | | | MIN | MAX | |
| SUPPLY VOLTAGE FOR LOGIC | V _{DD} -V _{SS} | T _a =25°C | 4.7 | 5.3 | V |
| SUPPLY VOLTAGE FOR LCD DRIVE | V _{DD} -V _O | - | 4.2@50°C | 4.8@0°C | V |
| INPUT VOLTAGE | V _I | T _a =25°C | V _{SS} | V _{DD} | V |
| OPERATING TEMPERATURE | T _{opr} | LCM-S | 0 | 50 | °C |
| | | LCM-H | -20 | 70 | °C |
| | | LCM-S | -20 | 70 | °C |
| STORAGE TEMPERATURE | T _{stg} | LCM-H | -30 | 85 | °C |

UNCONTROLLED DOCUMENT

*UNLESS OTHERWISE SPECIFIED TOLERANCE IS ±0.25mm (±0.010")

| | | | |
|---|--------------------------------|---|---|
| REV. A | PART NUMBER LCM-X01602DXX/B | <p>CONFIDENTIAL INFORMATION THE INFORMATION CONTAINED IN THIS DOCUMENT IS THE PROPERTY OF LUMEX INC. EXCEPT AS SPECIFICALLY AUTHORIZED IN WRITING BY LUMEX INC., THE HOLDER OF THIS DOCUMENT SHALL KEEP ALL INFORMATION CONTAINED HEREIN CONFIDENTIAL AND SHALL PROTECT SAME IN WHOLE OR IN PART FROM DISCLOSURE AND DISSEMINATION TO ALL THIRD PARTIES.</p> <p>RELIABILITY NOTE OUR MANY YEARS OF EXPERIENCE DATA ACCUMULATION INDICATE THAT SOLDER HEAT IS A MAJOR CAUSE OF EARLY AND FUTURE FAILURE. PLEASE PAY ATTENTION TO YOUR SOLDERING PROCESS.</p> | <p>LUMEX INCORPORATED</p> <p>290 E. HELLEN ROAD PALATINE, ILLINOIS 60067 PHONE: 1-847-359-2790 WEB: HTTP://WWW.LUMEX.COM</p> |
| 5.56mm CHARACTER HEIGHT, 5 x 8 DOT MATRIX, 16 x 2 LCD MODULE, 1/16 DUTY, 1/5 BIAS. | | <p>DRAWN BY: SA/BC</p> | <p>CHECKED BY:</p> <p>APPROVED BY:</p> <p>DATE: 4-28-98</p> <p>PAGE: 2 OF 2</p> <p>SCALE: N/A</p> |