

## MDMA Series Middle Inertia

### Motor Output Range

0.75kW, 1.0kW, 1.5kW, 2.0kW, 2.5kW, 3.0kW, 3.5kW, 4.0kW, 4.5kW, 5.0kW

### Middle Inertia Type

Rated Speed: 2000rpm

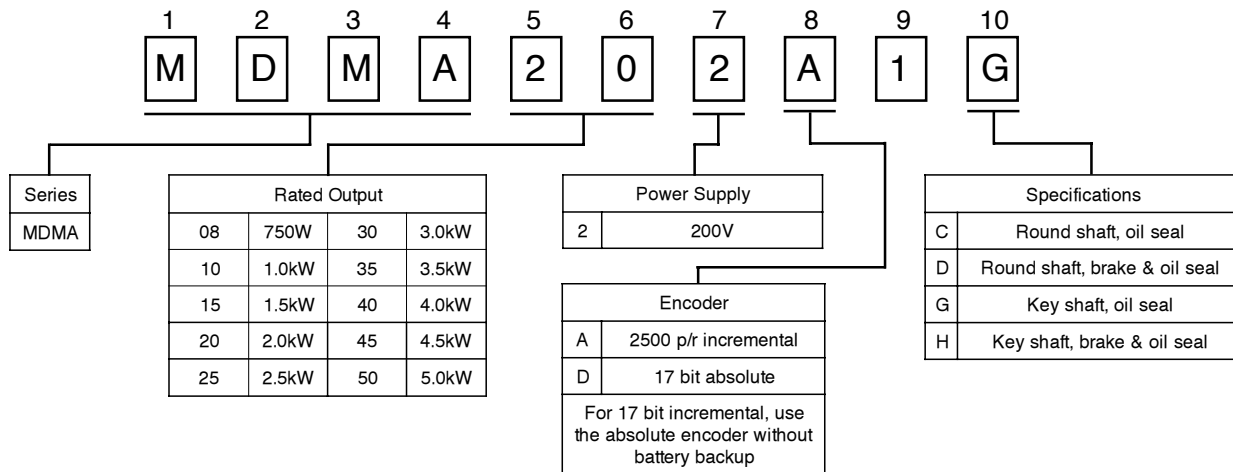
Maximum Speed: 3000rpm

Torque: From 94.77 to 632.37lb-in at peak

### Applicable Amplifier

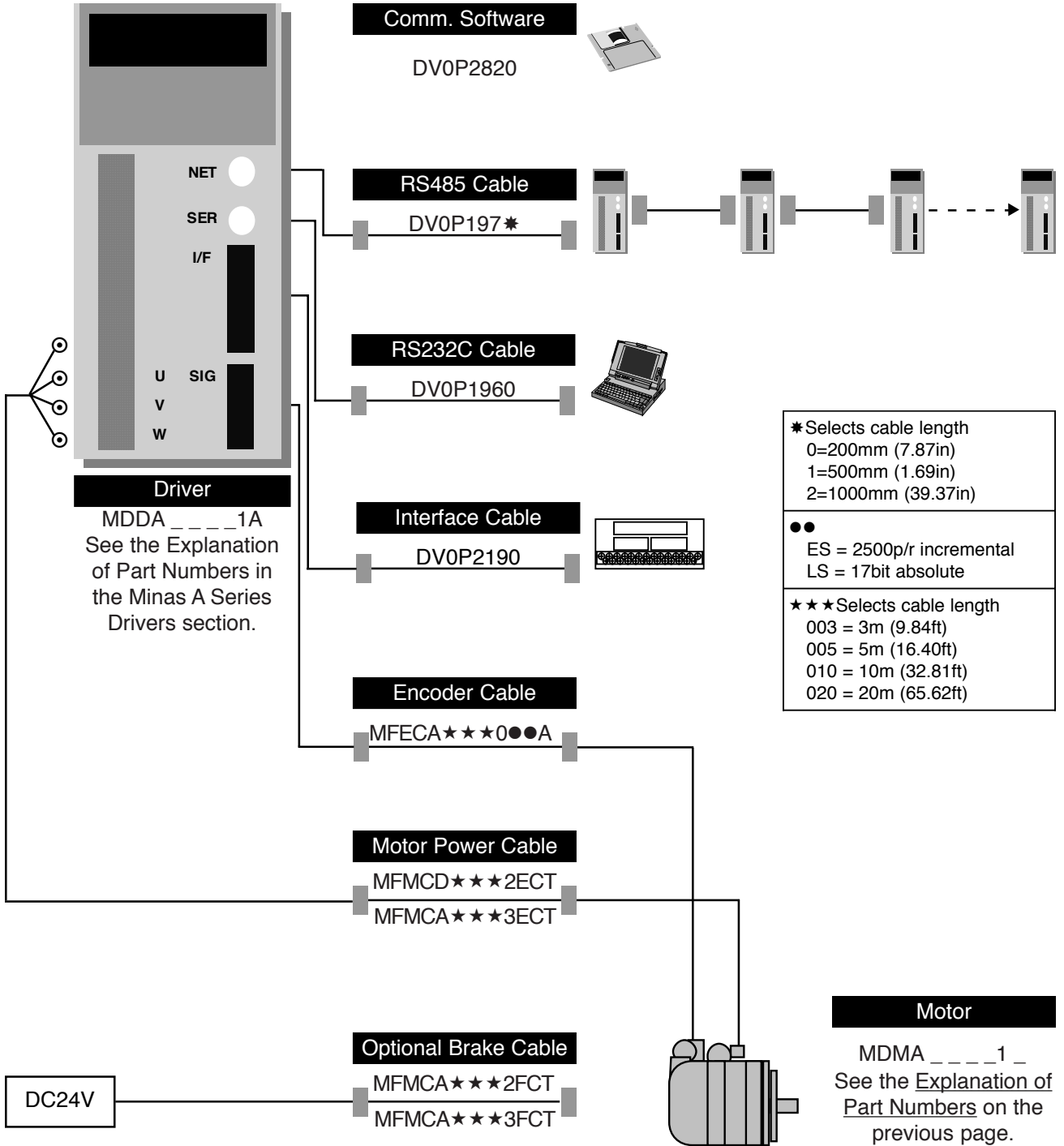
Use with MDDA Driver

### Explanation of Part Numbers



Design and specifications are subject to change without notice. Ask Aromat for technical specifications before purchase and/or use. Whenever a doubt about safety arises from this product, please contact Aromat immediately for technical consultation.

## Motor / Driver Options



## Motor / Driver Options

Communications Software	DV0P2820		
RS485 Cable	DV0P197*	*Cable length	
RS232C Cable	DV0P1960		
Interface Cable	DV0P2190		
Encoder Cable	MFECA***0ESA	2500p/r incremental	***Cable length
	MFECA***0LSA	17bit absolute	
Motor Power Cable	MFMCD***2ECT	0.75 - 2.5kW	
	MFMCA***3ECT	3.0 - 5.0kW	
Brake Cable (Optional)	MFMCA***2FCT	0.75 - 2.5kW	
	MFMCA***3FCT	3.0 - 5.0kW	
Motor	MDMA _ _ _ A1 _	2500p/r incremental	See explanation of part numbers
	MDMA _ _ _ D1 _	17bit absolute	
Driver	MDDA _ _ _ A1A	2500p/r incremental	See explanation of part numbers in the Minas A Drivers section
	MDDA _ _ _ D1A	17bit absolute	
Connectors (Optional)		For customer supplied cables. See the Minas A Series Accessories section	
Backup Battery		Available for absolute encoder. See the Minas A Series Accessories section	

\* If connecting to an FP2-PP2/PP4 module, an interface terminal block and plug & play cables are provided. Please see page 212 "Motor and Driver I/F Terminal."

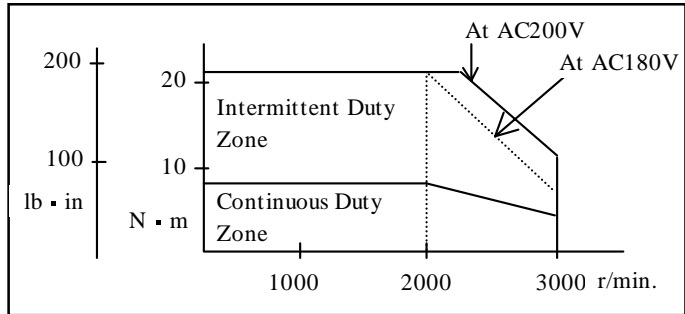
## MDMA152□□□ - 1.5kW/200V

### Specifications

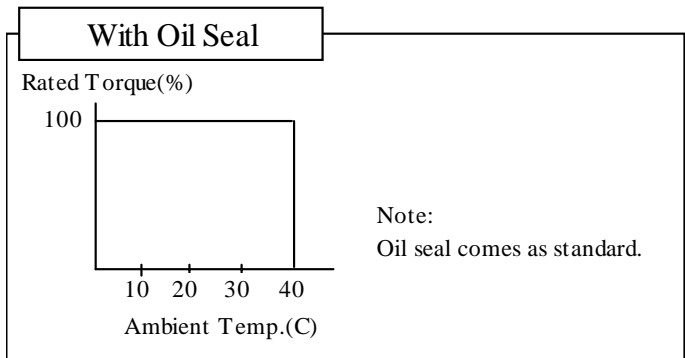
Torque	Rated	N. m	7.15
		lb-in.	63.33
	Maximum	N. m	21.50
		lb-in.	190.42
Rotor Inertia	Without Brake	x10kg· <sup>4</sup> m <sup>2</sup>	11.20
		lb. in <sup>2</sup>	3.827
	With Brake	x10kg· <sup>4</sup> m <sup>2</sup>	12.30
		lb. in <sup>2</sup>	4.203
Speed	Rated	r/min.	2000
	Maximum	r/min.	3000
Weight	Without Brake	kg	8.5
		lb	18.74
	With Brake	kg	10.1
		lb	22.27
Current	Rated	A(rms)	9.4
	Maximum	A(0-P)	40
Power Rating	Without Brake	kW/s	45.8
	With Brake	kW/s	41.4
Brake (Option)	Voltage	V	DC 24 ± 2.4
	Current	DC, A	0.79 ± 10%
	Static Friction Torque	N. m	13.7 or higher
lb-in		121.34 or higher	

Note: Separate power source required for brake (DC24V)

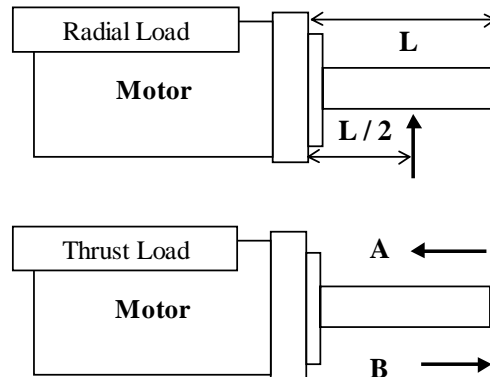
### Speed - Torque Curve



### Temperature Characteristics



### Permissible Radial and Thrust Loads

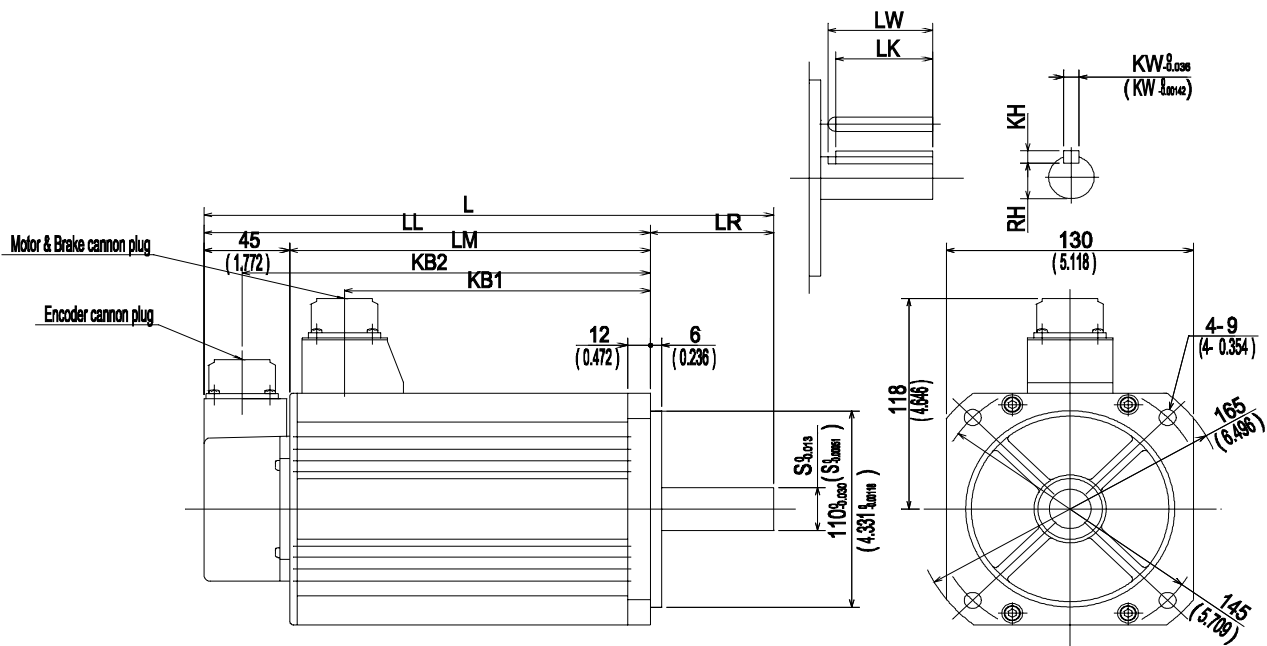


During Installation of Motor			During Operation of Motor	
Radial Load	Thrust A	Thrust B	Radial Load	Thrust Load
980 N	588 N	686 N	490 N	196 N
220 lb	132 lb	154 lb	110 lb	44 lb

## MDMA152□□□ - 1.5kW/200V

### Dimensions

Units: mm(in)



Drawing not to scale

Brake	L	LL	LM	KB1	KB2	S	LR	LW	LK	KW	KH	RH
Without	230 (9.055)	175 (6.890)	130 (5.118)	100 (3.937)	155 (6.102)	22 (0.866)	55 (2.165)	45 (1.772)	41 (1.614)	8 (0.315)	7 (0.276)	18 (0.709)
With	255 (10.039)	200 (7.874)	155 (6.102)	125 (4.921)	180 (7.087)							

Note: Dimensions reflect incremental type motor. For absolute type motor dimensions, refer to the motor specification.