

SunBrite™

MR16 Retrofit LED Lighting



The SunBrite MR-16 Retrofit LED provides significant cost and performance benefits compared to halogen alternatives widely available in the market today. The SunBrite MR-16 Retrofit LED technology offers comparable brightness (300 Lumens at 12 volts) and color performance (CRI over 80) to halogen alternatives, while simultaneously providing significant energy, cost and lifespan improvements (17 years compared to roughly 2 years assuming Energy Star average daily usage of 4 hours/day).

Features:

- Drop in replacement as regular bulbs at compatible rated voltage (12 Volt AC/DC)
- Instant light-on
- Quiet (no-hum) operation
- Emits virtually no heat and will not damage or deface fabrics or furnishings
- Operation temperature of -20°C ~ +40°C
- Operational lifespan of approximately 25,000 hours (L70)
- No UV or IR light radiation

Applications/Markets:

- Hospitality Lighting
- Retail Lighting
- Indoor lighting
- Spot and flood lights

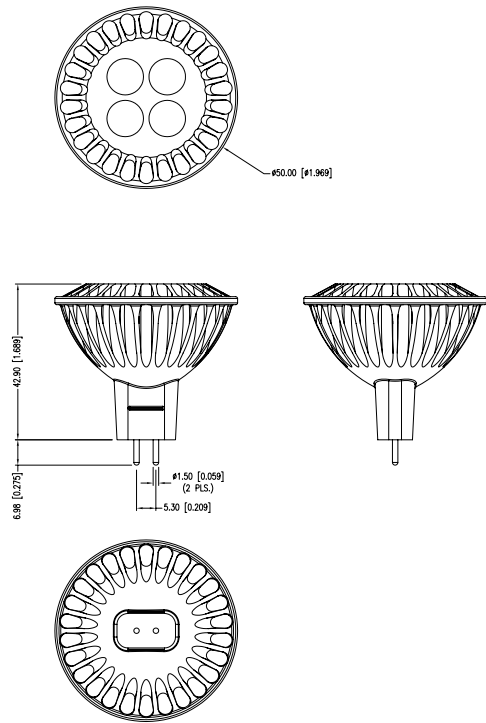
LUMEX®
Creating LED and LCD Solutions Together™

Member of the *ITW* Photonics Group

SunBrite™ MR16 Retrofit LED Lighting by LUMEX

SunBrite™ MR16 Retrofit LED Lighting by LUMEX

SunBrite™ MR16 Retrofit LED Lighting								
PN	Emitted Color	# of LEDs	Color Temp (K)	Typ. Lumens (Lm)	Beam Angle (2x Theta)	CRI	Typ. Total Energy Used (W.)	Typ. Vf.
SSP-M16MW012C05	Warm White	4	3000	315	24	80	5	12 V AC/DC
SSP-M16UW012C05	Cool White	4	5000	315	24	80	5	12 V AC/DC
SSP-M16MW012E05	Warm White	4	3000	320	50	80	5	12 V AC/DC
SSP-M16UW012E05	Cool White	4	5000	325	50	80	5	12 V AC/DC



w w w . l u m e x . c o m

8 0 0 . 2 7 8 . 5 6 6 6

Installation Instructions and Warning:

- Turn off power before inspection, installation or removal.
- Do not use in totally enclosed fixtures.
- Not for use with dimmers.
- Not intended for use with emergency exit fixtures or emergency lights.
- This product may cause interference with radios, televisions, telephones or remote controllers. If interference occurs, move this product away from device or plug into another outlet.
- Do not look directly into the light. The extreme brightness can be hazardous to your eyes.

- CAUTION: Risk of electric shock, use in dry location only. Not for use where exposed to weather.
- Risk of electrical shock, do not open or modify, no user serviceable part inside.