

# Very High CMR, Wide $V_{CC}$ Logic Gate Optocouplers

## Technical Data

**HCPL-2201**    **HCPL-2202**  
**HCPL-2211**    **HCPL-2212**  
**HCPL-2231**    **HCPL-2232**  
**HCPL-0201**    **HCPL-0211**  
**HCNW2201**    **HCNW2211**

### Features

- **10 kV/ $\mu$ s Minimum Common Mode Rejection (CMR) at  $V_{CM} = 1000$  V (HCPL-2211/2212/0211/2232, HCNW2211)**
- **Wide Operating  $V_{CC}$  Range: 4.5 to 20 Volts**
- **300 ns Propagation Delay Guaranteed over the Full Temperature Range**
- **5 Mbd Typical Signal Rate**
- **Low Input Current (1.6 mA to 1.8 mA)**
- **Hysteresis**
- **Totem Pole Output (No Pullup Resistor Required)**
- **Available in 8-Pin DIP, SOIC-8, Widebody Packages**
- **Guaranteed Performance from  $-40^{\circ}\text{C}$  to  $85^{\circ}\text{C}$**
- **Safety Approval**  
 UL Recognized -2500 V rms for 1 minute (5000 V rms for 1 minute for HCNW22XX) per UL1577  
 CSA Approved  
 VDE 0884 Approved with  $V_{IORM} = 630$  V peak (HCPL-2211/2212 Option 060 only) and  $V_{IORM} = 1414$  V peak (HCNW22XX only)  
 BSI Certified (HCNW22XX only)

- **MIL-STD-1772 Version Available (HCPL-52XX/62XX)**

### Applications

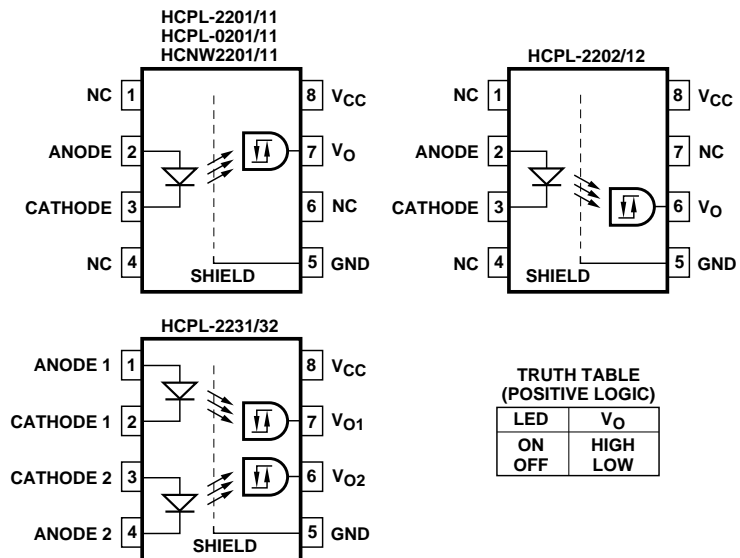
- **Isolation of High Speed Logic Systems**
- **Computer-Peripheral Interfaces**
- **Microprocessor System Interfaces**
- **Ground Loop Elimination**
- **Pulse Transformer Replacement**
- **High Speed Line Receiver**
- **Power Control Systems**

### Description

The HCPL-22XX, HCPL-02XX, and HCNW22XX are optically-coupled logic gates. The HCPL-22XX, and HCPL-02XX contain a GaAsP LED while the HCNW22XX contains an AlGaAs LED. The detectors have totem pole output stages and optical receiver input stages with built-in Schmitt triggers to provide logic-compatible waveforms, eliminating the need for additional waveshaping.

A superior internal shield on the HCPL-2211/12, HCPL-0211,

### Functional Diagram



A 0.1  $\mu$ F bypass capacitor must be connected between pins 5 and 8.

**CAUTION:** It is advised that normal static precautions be taken in handling and assembly of this component to prevent damage and/or degradation which may be induced by ESD.

HCPL-2232 and HCNW2211 guarantees common mode transient immunity of 10 kV/μs at a common mode voltage of 1000 volts.

The electrical and switching characteristics of the HCPL-22XX, HCPL-02XX and HCNW22XX are guaranteed from -40°C to +85°C and a V<sub>CC</sub> from 4.5 volts to 20 volts. Low I<sub>F</sub> and

wide V<sub>CC</sub> range allow compatibility with TTL, LSTTL, and CMOS logic and result in lower power consumption compared to other high speed couplers. Logic signals are transmitted with a typical propagation delay of 150 ns.

### Selection Guide

Minimum CMR		Input On-Current (mA)	8-Pin DIP (300 Mil)		Small-Outline SO-8	Widebody (400 Mil)	Hermetic
dV/dt (V/μs)	V <sub>CM</sub> (V)		Single Channel Package	Dual Channel Package	Single Channel Package	Single Channel Package	Single and Dual Channel Packages
1,000	50	1.6	HCPL-2200 <sup>[1,2]</sup> HCPL-2201 HCPL-2202		HCPL-0201	HCNW2201	
		1.8		HCPL-2231			
2,500	400	1.6	HCPL-2219 <sup>[1,2]</sup>				
5,000 <sup>[3]</sup>	300 <sup>[3]</sup>	1.6	HCPL-2211 HCPL-2212		HCPL-0211	HCNW2211	
		1.8		HCPL-2232			
1,000	50	2.0					HCPL-52XX <sup>[2]</sup> HCPL-62XX <sup>[2]</sup>

#### Notes:

1. HCPL-2200/2219 devices include output enable/disable function.
2. Technical data for the HCPL-2200/2219, HCPL-52XX and HCPL-62XX are on separate HP publications.
3. Minimum CMR of 10 kV/μs with V<sub>CM</sub> = 1000 V can be achieved with input current, I<sub>F</sub>, of 5 mA.

### Ordering Information

Specify Part Number followed by Option Number (if desired).

Example:

HCPL-2211#XXX

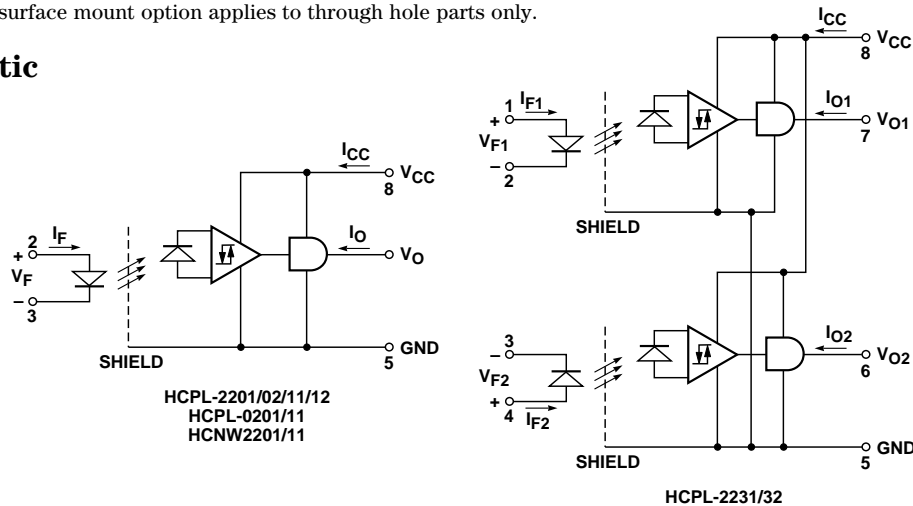
- 060 = VDE 0884 V<sub>IORM</sub> = 630 V<sub>peak</sub> Option\*
- 300 = Gull Wing Surface Mount Option\*\*
- 500 = Tape and Reel Packaging Option

Option data sheets available. Contact your Hewlett-Packard sales representative or authorized distributor for information.

\*For HCPL-2211/2212 only.

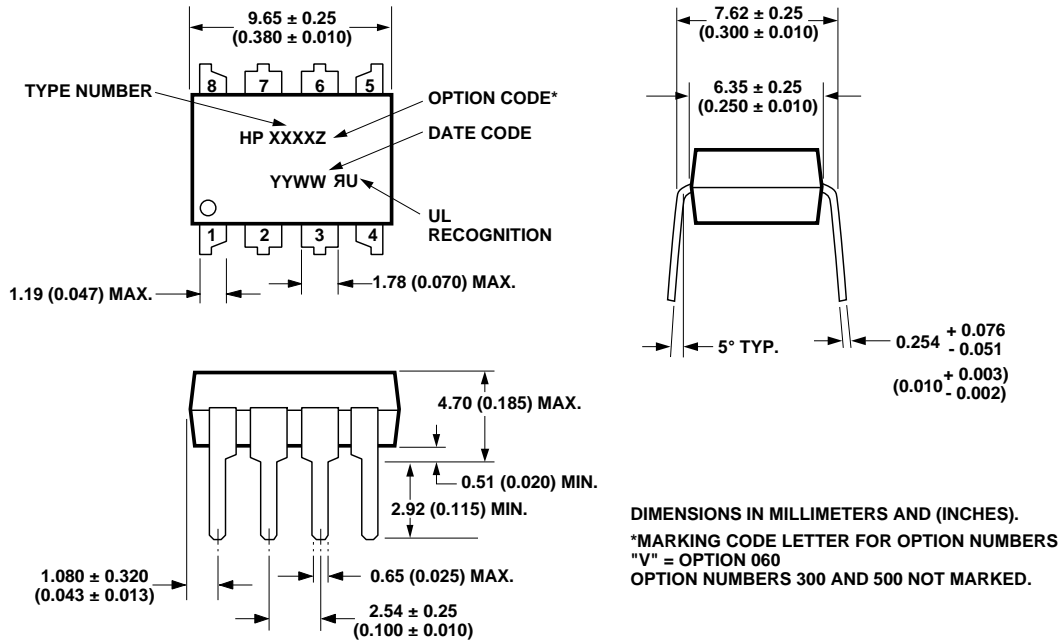
\*\*Gull wing surface mount option applies to through hole parts only.

### Schematic

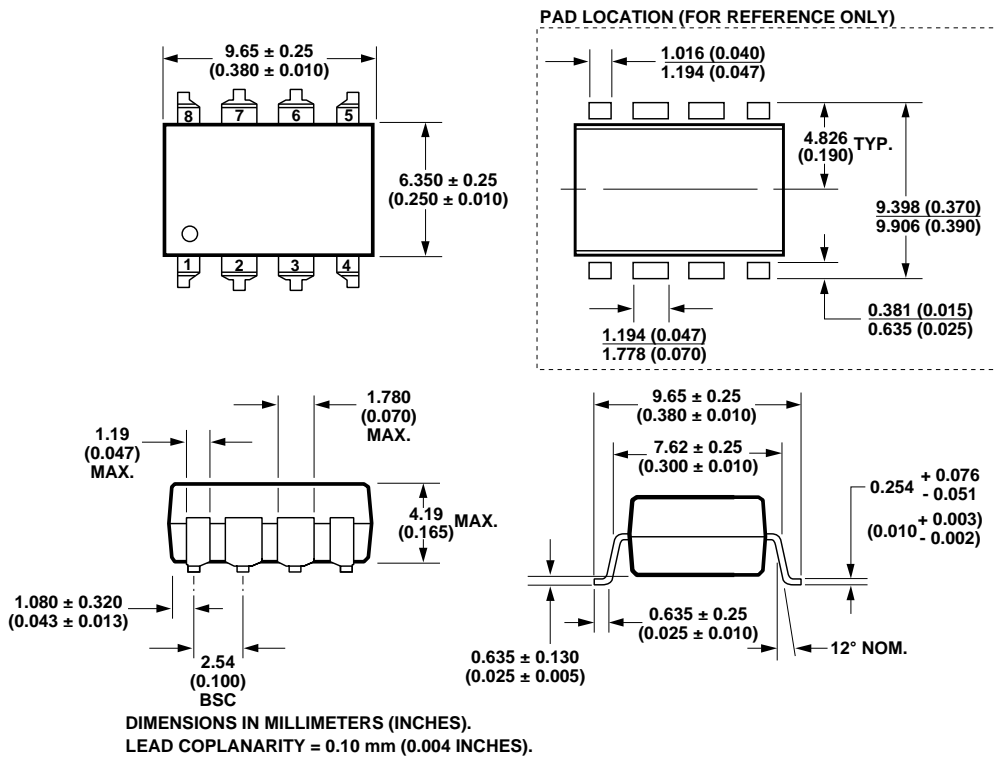


## Package Outline Drawings

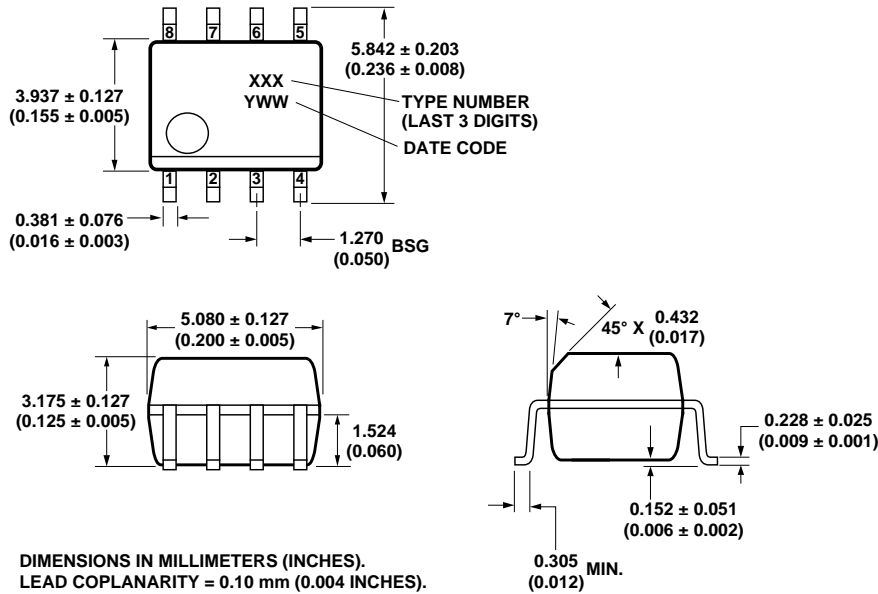
### 8-Pin DIP Package (HCPL-2201/02/11/12/31/32)



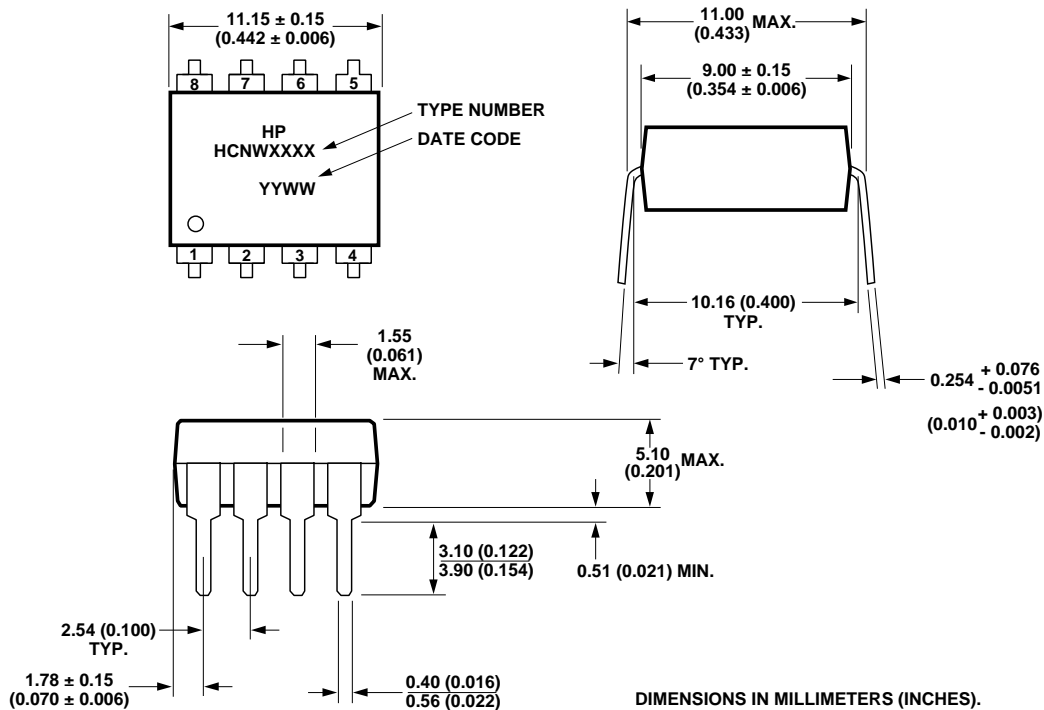
### 8-Pin DIP Package with Gull Wing Surface Mount Option 300 (HCPL-2201/02/11/12/31/32)



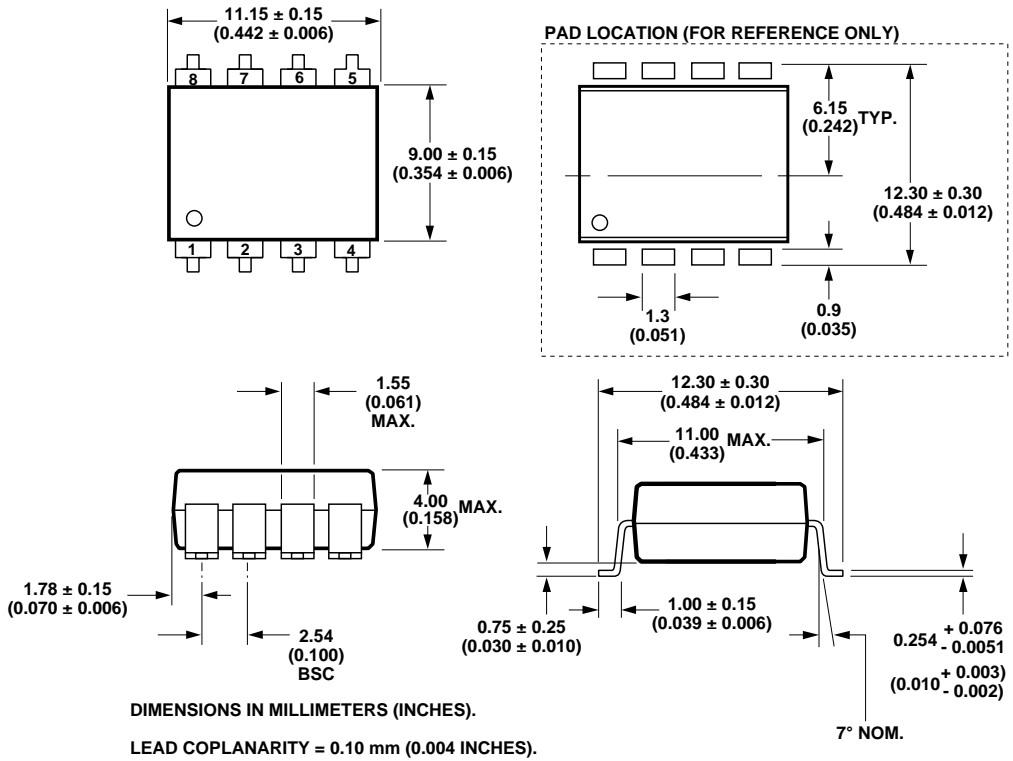
### Small-Outline SO-8 Package (HCPL-0201/11)



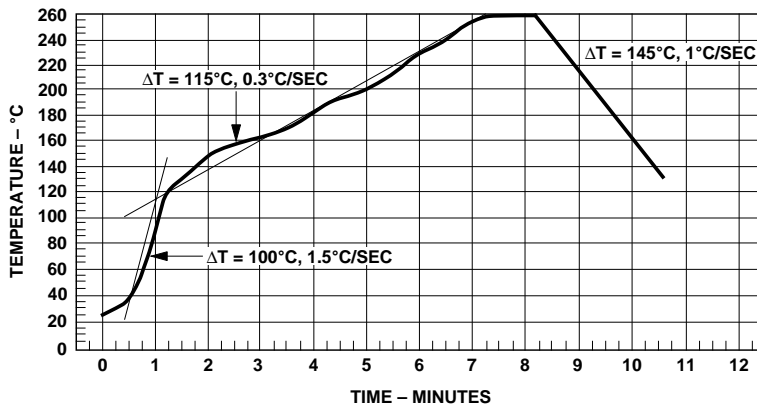
### 8-Pin Widebody DIP Package (HCNW2201/11)



### 8-Pin Widebody DIP Package with Gull Wing Surface Mount Option 300 (HCNW2201/11)



### Solder Reflow Temperature Profile (HCPL-02XX and Gull Wing Surface Mount Option 300 Parts)



Note: Use of nonchlorine activated fluxes is highly recommended.

**Regulatory Information**

The HCPL-22XX/02XX and HCNW22XX have been approved by the following organizations:

**UL**

Recognized under UL 1577, Component Recognition Program, File E55361.

**CSA**

Approved under CSA Component Acceptance Notice #5, File CA 88324.

**VDE**

Approved according to VDE 0884/06.92. (HCPL-2211/2212 Option 060 and HCNW22XX only)

**BSI**

Certification according to BS415:1994, (BS EN60065:1994); BS EN60950:1992 (BS7002:1992) and EN41003:1993 for Class II applications. (HCNW22XX only)

**Insulation and Safety Related Specifications****8-pin DIP Package**

Parameter	Symbol	8-Pin DIP (300 Mil) Value	SO-8 Value	Widebody (400 Mil) Value	Units	Conditions
Minimum External Air Gap (External Clearance)	L(101)	7.1	4.9	9.6	mm	Measured from input terminals to output terminals, shortest distance through air.
Minimum External Tracking (External Creepage)	L(102)	7.4	4.8	10.0	mm	Measured from input terminals to output terminals, shortest distance path along body.
Minimum Internal Plastic Gap (Internal Clearance)		0.08	0.08	1.0	mm	Through insulation distance, conductor to conductor, usually the direct distance between the photoemitter and photodetector inside the optocoupler cavity.
Minimum Internal Tracking (Internal Creepage)		NA	NA	4.0	mm	Measured from input terminals to output terminals, along internal cavity.
Tracking Resistance (Comparative Tracking Index)	CTI	200	200	200	Volts	DIN IEC 112/VDE 0303 Part 1
Isolation Group		IIIa	IIIa	IIIa		Material Group (DIN VDE 0110, 1/89, Table 1)

Option 300 - surface mount classification is Class A in accordance with CECC 00802.

**VDE 0884 Insulation Related Characteristics  
(HCPL-2211/2212 Option 060 ONLY)**

Description	Symbol	Characteristic	Units
Installation classification per DIN VDE 0110/1.89, Table 1 for rated mains voltage $\leq 300$ V rms for rated mains voltage $\leq 450$ V rms		I-IV	
		I-III	
Climatic Classification		55/85/21	
Pollution Degree (DIN VDE 0110/1.89)		2	
Maximum Working Insulation Voltage	$V_{IORM}$	630	V <sub>peak</sub>
Input to Output Test Voltage, Method b* $V_{IORM} \times 1.875 = V_{PR}$ , 100% Production Test with $t_m = 1$ sec, Partial Discharge $< 5$ pC	$V_{PR}$	1181	V <sub>peak</sub>
Input to Output Test Voltage, Method a* $V_{IORM} \times 1.5 = V_{PR}$ , Type and sample test, $t_m = 60$ sec, Partial Discharge $< 5$ pC	$V_{PR}$	945	V <sub>peak</sub>
Highest Allowable Overvoltage* (Transient Overvoltage, $t_{mi} = 10$ sec)	$V_{IOTM}$	6000	V <sub>peak</sub>
Safety Limiting Values (Maximum values allowed in the event of a failure, also see Figure 12, Thermal Derating curve.)			
Case Temperature	$T_S$	175	°C
Input Current	$I_{S,OUTPUT}$	230	mA
Output Power	$P_{S,OUTPUT}$	600	mW
Insulation Resistance at $T_S$ , $V_{IO} = 500$ V	$R_S$	$\geq 10^9$	$\Omega$

\*Refer to the front of the optocoupler section of the current catalog, under Product Safety Regulations section (VDE 0884), for a detailed description.

Note: Isolation characteristics are guaranteed only within the safety maximum ratings which must be ensured by protective circuits in application.

## VDE 0884 Insulation Related Characteristics (HCNW22XX ONLY)

Description	Symbol	Characteristic	Units
Installation classification per DIN VDE 0110/1.89, Table 1 for rated mains voltage $\leq 600$ V rms for rated mains voltage $\leq 1000$ V rms		I-IV	
		I-III	
Climatic Classification		55/100/21	
Pollution Degree (DIN VDE 0110/1.89)		2	
Maximum Working Insulation Voltage	$V_{IORM}$	1414	V peak
Input to Output Test Voltage, Method b* $V_{IORM} \times 1.875 = V_{PR}$ , 100% Production Test with $t_m = 1$ sec, Partial Discharge $< 5$ pC	$V_{PR}$	2652	V peak
Input to Output Test Voltage, Method a* $V_{IORM} \times 1.5 = V_{PR}$ , Type and sample test, $t_m = 60$ sec, Partial Discharge $< 5$ pC	$V_{PR}$	2121	V peak
Highest Allowable Overvoltage* (Transient Overvoltage, $t_{ini} = 10$ sec)	$V_{IOTM}$	8000	V peak
Safety Limiting Values (Maximum values allowed in the event of a failure, also see Figure 12, Thermal Derating curve.) Case Temperature Current (Input Current $I_F$ , $P_S = 0$ ) Output Power	$T_S$ $I_{S,INPUT}$ $P_{S,OUTPUT}$	150 400 700	$^{\circ}C$ mA mW
Insulation Resistance at $T_S$ , $V_{IO} = 500$ V	$R_S$	$\geq 10^9$	$\Omega$

\*Refer to the front of the optocoupler section of the current catalog, under Product Safety Regulations section (VDE 0884), for a detailed description.

Note: Isolation characteristics are guaranteed only within the safety maximum ratings which must be ensured by protective circuits in application.

## Absolute Maximum Ratings

Parameter	Symbol	Min.	Max.	Units	Note
Storage Temperature	$T_S$	-55	125	$^{\circ}C$	
Operating Temperature	$T_A$	-40	85	$^{\circ}C$	
Average Forward Input Current	$I_{F(AVG)}$		10	mA	1
Peak Transient Input Current ( $\leq 1 \mu s$ Pulse Width, 300 pps) ( $\leq 200 \mu s$ Pulse Width, < 1% Duty Cycle)	$I_{F(TRAN)}$		1.0	A	1
		HCNW22XX	40	mA	
Reverse Input Voltage	$V_R$		5	V	1
		HCNW22XX	3		
Average Output Current	$I_O$		25	mA	1
Supply Voltage	$V_{CC}$	0	20	V	
Output Voltage	$V_O$	-0.5	20	V	1
Total Package Power Dissipation	$P_T$		210	mW	2
		HCPL-223X	294		
Output Power Dissipation	$P_O$	See Figure 7			1
Lead Solder Temperature (Through Hole Parts Only)		260 $^{\circ}C$ for 10 sec., 1.6 mm below seating plane			
	HCNW22XX	260 $^{\circ}C$ for 10 sec., up to seating plane			
Solder Reflow Temperature Profile (Surface Mount Parts Only)		See Package Outline Drawings section			



## Recommended Operating Conditions

Parameter	Symbol	Min.	Max.	Units
Power Supply Voltage	$V_{CC}$	4.5	20	V
Forward Input Current (ON)	$I_{F(ON)}$	1.6*	5	mA
HCPL-223X		1.8†		
Forward Input Voltage (OFF)	$V_{F(OFF)}$	-	0.8	V
Operating Temperature	$T_A$	-40	85	°C
Junction Temperature	$T_J$	-40	125	°C
Fan Out	N		4	TTL Loads

\*The initial switching threshold is 1.6 mA or less. It is recommended that 2.2 mA be used to permit at least a 20% LED degradation guardband.

†The initial switching threshold is 1.8 mA or less. It is recommended that 2.5 mA be used to permit at least a 20% LED degradation guardband.

## Electrical Specifications

-40°C ≤  $T_A$  ≤ 85°C, 4.5 V ≤  $V_{CC}$  ≤ 20 V, 1.6 mA ≤  $I_{F(ON)}$ \* ≤ 5 mA, 0 V ≤  $V_{F(OFF)}$  ≤ 0.8 V, unless otherwise specified. All Typicals at  $T_A = 25^\circ\text{C}$ . See Note 7.

Parameter	Sym.	Min.	Typ.	Max.	Units	Test Conditions	Fig.	Note
Logic Low Output Voltage	$V_{OL}$			0.5	V	$I_{OL} = 6.4 \text{ mA}$ (4 TTL Loads)	1, 3	1
Logic High Output Voltage	$V_{OH}$	2.4	**		V	$I_{OH} = -2.6 \text{ mA}$	2, 3, 8	1
		2.7				$I_{OH} = -0.4 \text{ mA}$		
Output Leakage Current ( $V_{OUT} > V_{CC}$ )	$I_{OHH}$			100	μA	$V_O = 5.5 \text{ V}$	$I_F = 5 \text{ mA}$	1
			500	$V_O = 20 \text{ V}$				
Logic Low Supply Current	$I_{CCL}$		3.7	6.0	mA	$V_{CC} = 5.5 \text{ V}$	$V_F = 0 \text{ V}$ $I_O = \text{Open}$	
			4.3	7.0		$V_{CC} = 20 \text{ V}$		
		HCPL-223X	7.4	12.0		$V_{CC} = 5.5 \text{ V}$		
			8.6	14.0		$V_{CC} = 20 \text{ V}$		
Logic High Supply Current	$I_{CCH}$		2.4	4.0	mA	$V_{CC} = 5.5 \text{ V}$	$I_F = 5 \text{ mA}$ $I_O = \text{Open}$	
			2.7	5.0		$V_{CC} = 20 \text{ V}$		
		HCPL-223X	4.8	8.0		$V_{CC} = 5.5 \text{ V}$		
			5.4	10.0		$V_{CC} = 20 \text{ V}$		
Logic Low Short Circuit Output Current	$I_{OSL}$	15			mA	$V_O = V_{CC} = 5.5 \text{ V}$	$V_F = 0 \text{ V}$	1, 3
		20				$V_O = V_{CC} = 20 \text{ V}$		
Logic High Short Circuit Output Current	$I_{OSH}$			-10	mA	$V_{CC} = 5.5 \text{ V}$	$I_F = 5 \text{ mA}$ $V_O = \text{GND}$	1, 3
				-20		$V_{CC} = 20 \text{ V}$		
Input Forward Voltage	$V_F$		1.5	1.7	V	$T_A = 25^\circ\text{C}$	$I_F = 5 \text{ mA}$	4
				1.85				
		HCNW22XX	1.5	1.82		$T_A = 25^\circ\text{C}$		
				1.95				
Input Reverse Breakdown Voltage	$BV_R$	5			V	$I_R = 10 \mu\text{A}$		1
		3				$I_R = 100 \mu\text{A}$		
Input Diode Temperature Coefficient	$\Delta V_F$		-1.7		mV/°C	$I_F = 5 \text{ mA}$		
	HCNW22XX	$\Delta T_A$	-1.4					
Input Capacitance	$C_{IN}$		60		pF	$f = 1 \text{ MHz}$ , $V_F = 0 \text{ V}$		1, 4
		HCNW22XX		70				

\*For HCPL-223X, 1.8 mA ≤  $I_{F(ON)}$  ≤ 5 mA.

\*\*Typical  $V_{OH} = V_{CC} - 2.1 \text{ V}$ .

## Switching Specifications (AC)

$-40^{\circ}\text{C} \leq T_A \leq 85^{\circ}\text{C}$ ,  $4.5\text{ V} \leq V_{CC} \leq 20\text{ V}$ ,  $1.6\text{ mA} \leq I_{F(\text{ON})}^* \leq 5\text{ mA}$ ,  $0\text{ V} \leq V_{F(\text{OFF})} \leq 0.8\text{ V}$ .

All Typical at  $T_A = 25^{\circ}\text{C}$ ,  $V_{CC} = 5\text{ V}$ ,  $I_{F(\text{ON})} = 3\text{ mA}$  unless otherwise specified.

Parameter	Sym.	Min.	Typ.	Max.	Units	Test Conditions	Fig.	Note
Propagation Delay Time to Logic Low Output Level	$t_{\text{PHL}}$		150	300	ns	Without Peaking Capacitor	5, 6	1, 6
			160			HCNW22XX		
			150			With Peaking Capacitor		
Propagation Delay Time to Logic High Output Level	$t_{\text{PLH}}$		110	300	ns	Without Peaking Capacitor	5, 6	1, 6
			180			HCNW22XX		
			90			With Peaking Capacitor		
Output Rise Time (10-90%)	$t_r$		30		ns		5, 9	1
Output Fall Time (90-10%)	$t_f$		7		ns		5, 9	1

Parameter	Sym.	Device	Min.	Units	Test Conditions	Fig.	Note
Logic High Common Mode Transient Immunity	$ CM_H $	HCPL-2201/02 HCPL-0201 HCPL-2231 HCNW2201	1,000	V/ $\mu\text{s}$	$ V_{CM}  = 50\text{ V}$ $I_F = 1.6\text{ mA}^\dagger$	10	1, 7
		HCPL-2211/12 HCPL-0211	5,000	V/ $\mu\text{s}$	$ V_{CM}  = 300\text{ V}$ $I_F = 1.6\text{ mA}^\ddagger$		
		HCPL-2232 HCNW2211	10,000	V/ $\mu\text{s}$	$ V_{CM}  = 1\text{ kV}$ $I_F = 5.0\text{ mA}$		
Logic Low Common Mode Transient Immunity	$ CM_L $	HCPL-2201/02 HCPL-0201 HCPL-2231 HCNW2201	1,000	V/ $\mu\text{s}$	$ V_{CM}  = 50\text{ V}$	10	1, 7
		HCPL-2211/12 HCPL-0211 HCPL-2232 HCNW2211	10,000	V/ $\mu\text{s}$	$ V_{CM}  = 1\text{ kV}$		
					$V_F = 0\text{ V}$ $V_{CC} = 5\text{ V}$ $T_A = 25^{\circ}\text{C}$		

\*For HCPL-223X,  $1.8\text{ mA} \leq I_{F(\text{ON})} \leq 5\text{ mA}$ .

$^\dagger I_F = 1.8\text{ mA}$  for HCPL-2231.

$^\ddagger I_F = 1.8\text{ mA}$  for HCPL-2232.

## Package Characteristics

Parameter	Sym.	Min.	Typ.	Max.	Units	Test Conditions	Fig.	Note
Input-Output Momentary Withstand Voltage*	V <sub>ISO</sub>	2500			V rms	RH < 50%, t = 1 min. T <sub>A</sub> = 25°C		5, 10
HCNW22XX		5000						5, 11
Input-Output Resistance	R <sub>I-O</sub>		10 <sup>12</sup>		Ω	V <sub>I-O</sub> = 500 Vdc T <sub>A</sub> = 25°C T <sub>A</sub> = 100°C		5
HCNW22XX		10 <sup>12</sup>	10 <sup>13</sup>					
		10 <sup>11</sup>						
Input-Output Capacitance	C <sub>I-O</sub>		0.6		pF	f = 1 MHz, T <sub>A</sub> = 25°C V <sub>I-O</sub> = 0 Vdc		5
HCNW22XX			0.5	0.6				
Input-Input Insulation Leakage Current	I <sub>I-I</sub>		0.005		μA	Relative Humidity = 45%, t = 5 s, V <sub>I-I</sub> = 500 V		12
Resistance (Input-Input)	R <sub>I-I</sub>		10 <sup>11</sup>		Ω	V <sub>I-I</sub> = 500 V		12
Capacitance (Input-Input)	C <sub>I-I</sub>		0.25		pF	f = 1 MHz		12

\*The Input-Output Momentary Withstand Voltage is a dielectric voltage rating that should not be interpreted as an input-output continuous voltage rating. For the continuous voltage rating refer to the VDE 0884 Insulation Characteristics Table (if applicable), your equipment level safety specification or HP Application Note 1074 entitled "Optocoupler Input-Output Endurance Voltage," publication number 5963-2203E.

### Notes:

- Each channel.
- Derate total package power dissipation, P<sub>T</sub>, linearly above 70°C free-air temperature at a rate of 4.5 mW/°C.
- Duration of output short circuit time should not exceed 10 ms.
- For single devices, input capacitance is measured between pin 2 and pin 3.
- Device considered a two-terminal device: pins 1, 2, 3, and 4 shorted together and pins 5, 6, 7, and 8 shorted together.
- The t<sub>PLH</sub> propagation delay is measured from the 50% point on the leading edge of the input pulse to the 1.3 V point on the leading edge of the output pulse. The t<sub>PHL</sub> propagation delay is measured from the 50% point on the trailing edge of the input pulse to the 1.3 V point on the trailing edge of the output pulse.
- CM<sub>H</sub> is the maximum slew rate of the common mode voltage that can be sustained with the output voltage in the logic high state, V<sub>O</sub> > 2.0 V. CM<sub>L</sub> is the maximum slew rate of the common mode voltage that can be sustained with the output voltage in the logic low state, V<sub>O</sub> < 0.8 V.
- For HCPL-2202/12, V<sub>O</sub> is on pin 6.
- Use of a 0.1 μF bypass capacitor connected between pins 5 and 8 is recommended.
- In accordance with UL 1577, each optocoupler is proof tested by applying an insulation test voltage ≥ 3000 V rms for one second (leakage detection current limit, I<sub>I-O</sub> ≤ 5 μA). This test is performed before the 100% production test for partial discharge (Method b) shown in the VDE 0884 Insulation Characteristics Table, if applicable.
- In accordance with UL 1577, each optocoupler is proof tested by applying an insulation test voltage ≥ 6000 V rms for one second (leakage detection current limit, I<sub>I-O</sub> ≤ 5 μA). This test is performed before the 100% production test for partial discharge (Method b) shown in the VDE 0884 Insulation Characteristics Table.
- For HCPL-2231/32 only. Measured between pins 1 and 2, shorted together, and pins 3 and 4, shorted together.

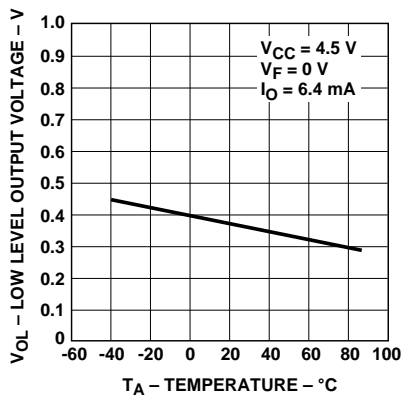


Figure 1. Typical Logic Low Output Voltage vs. Temperature.

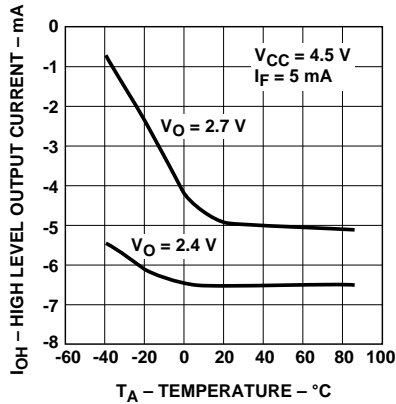


Figure 2. Typical Logic High Output Current vs. Temperature.

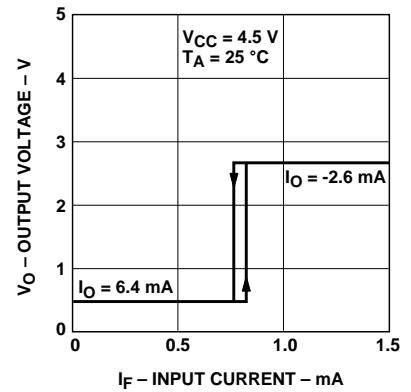


Figure 3. Typical Output Voltage vs. Forward Input Current.

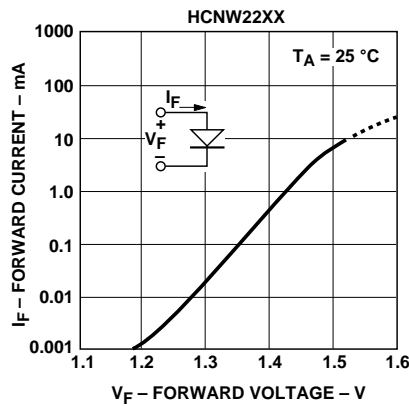
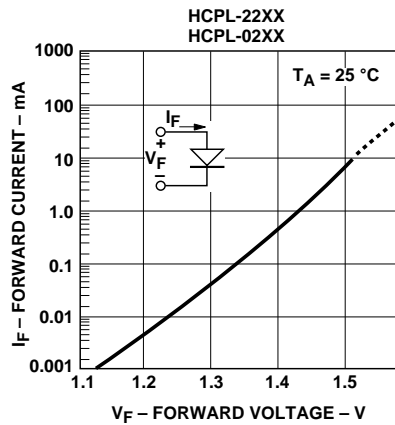


Figure 4. Typical Input Diode Forward Characteristic.

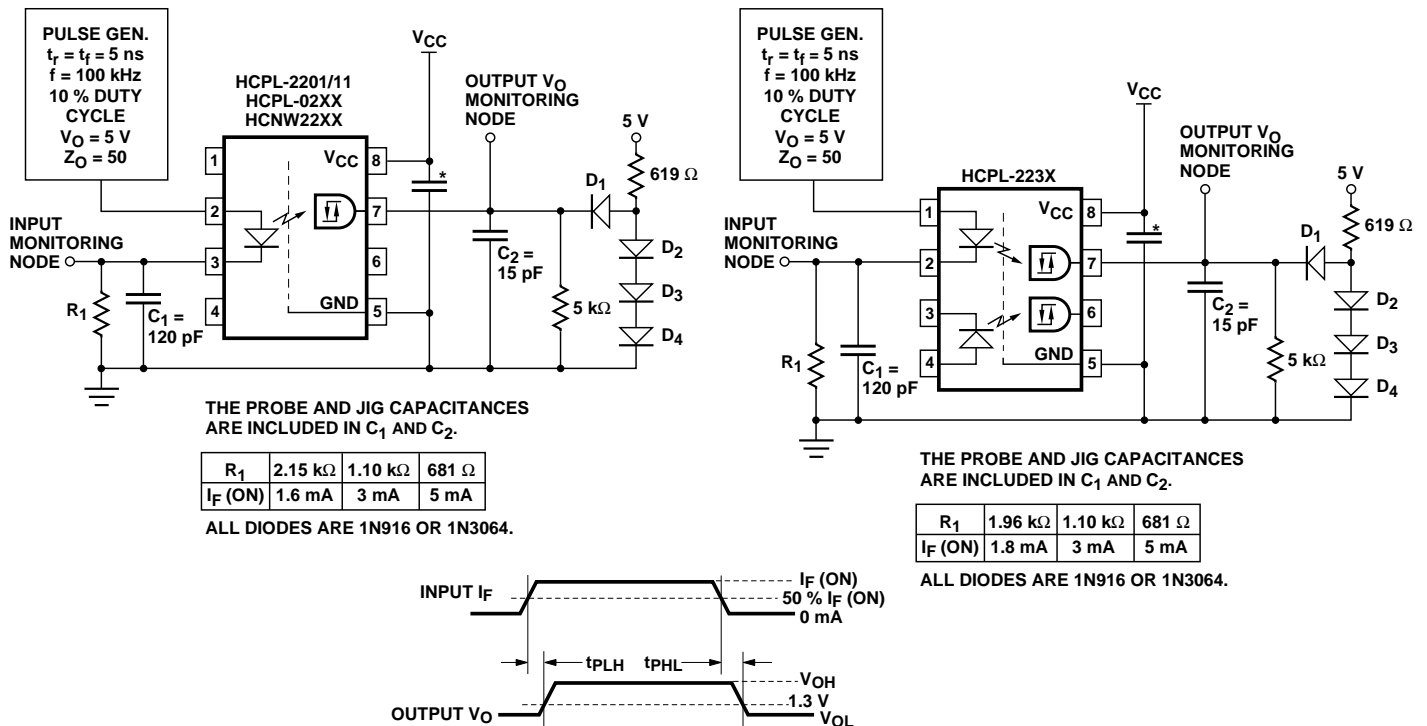


Figure 5. Circuit for  $t_{PLH}$ ,  $t_{PHL}$ ,  $t_r$ ,  $t_f$ .

\* 0.1  $\mu$ F BYPASS — SEE NOTE 9.

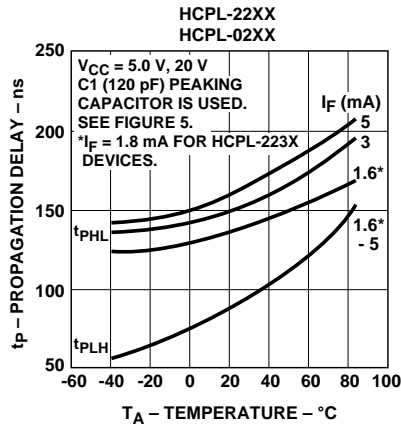


Figure 6. Typical Propagation Delays vs. Temperature.

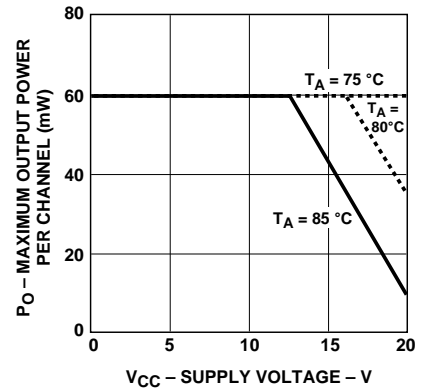
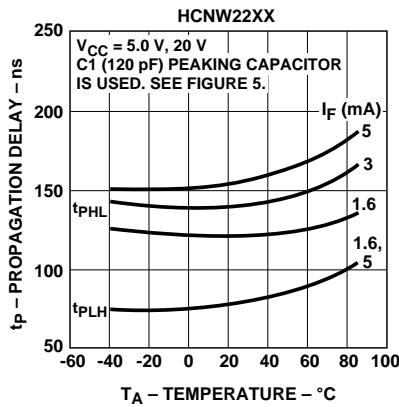


Figure 7. Maximum Output Power per Channel vs. Supply Voltage.

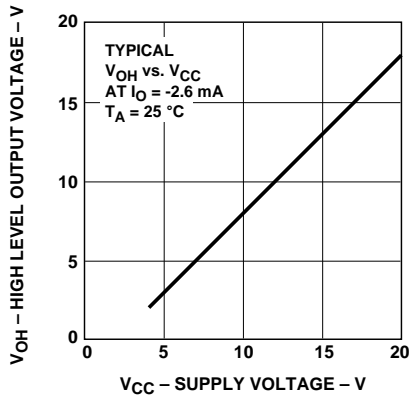


Figure 8. Typical Logic High Output Voltage vs. Supply Voltage.

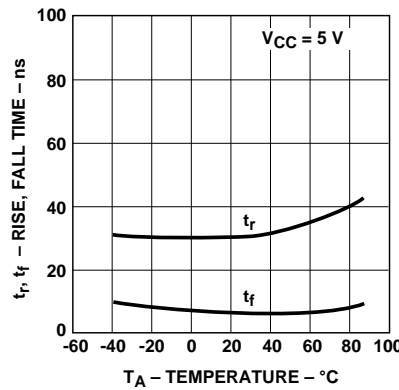


Figure 9. Typical Rise, Fall Time vs. Temperature.

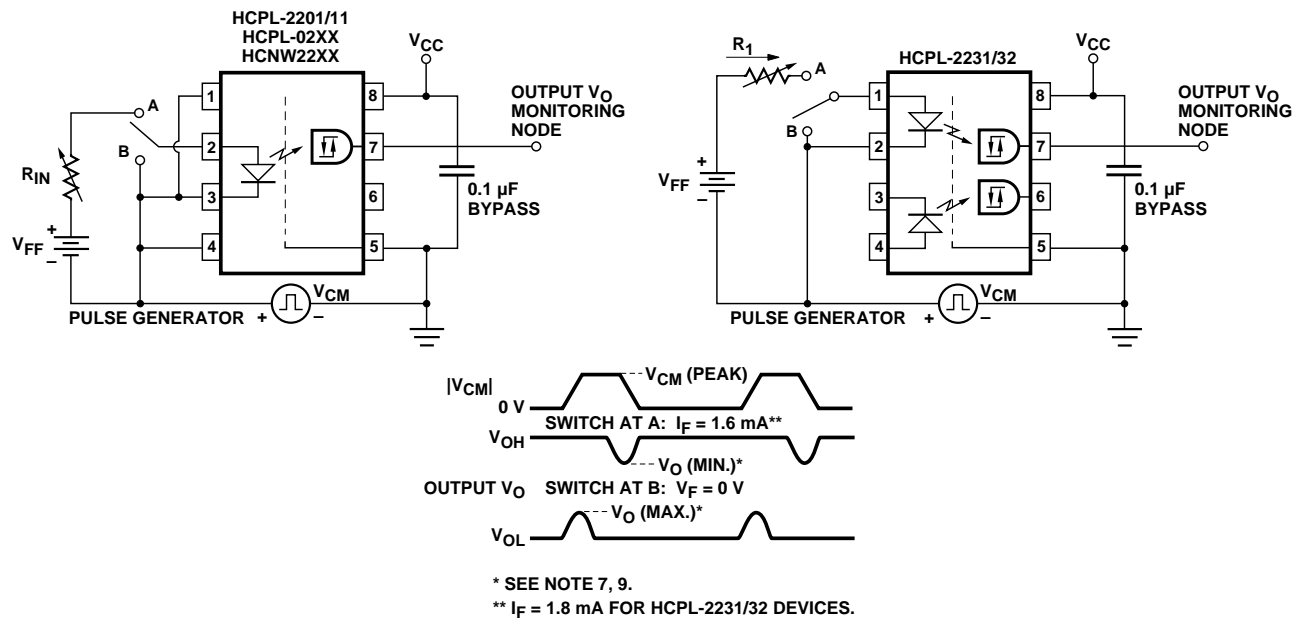


Figure 10. Test Circuit for Common Mode Transient Immunity and Typical Waveforms.

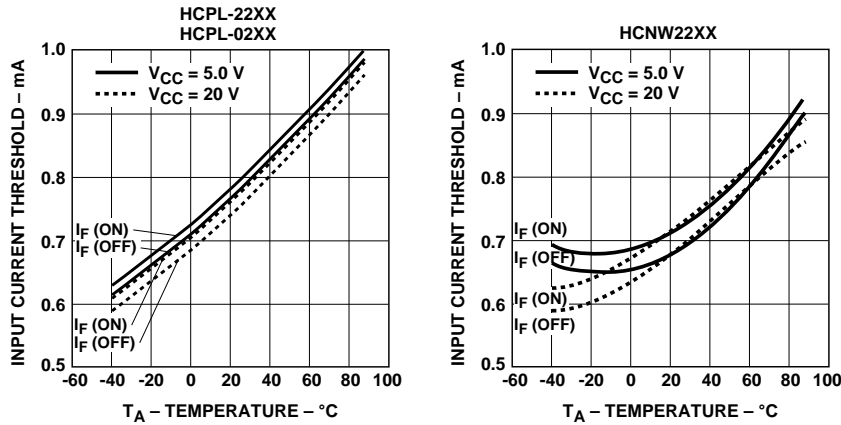


Figure 11. Typical Input Threshold Current vs. Temperature.

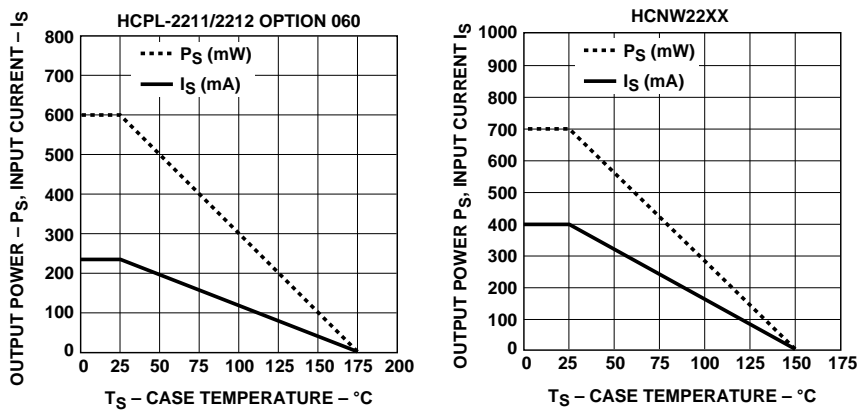


Figure 12. Thermal Derating Curve, Dependence of Safety Limiting Value with Case Temperature per VDE 0884.

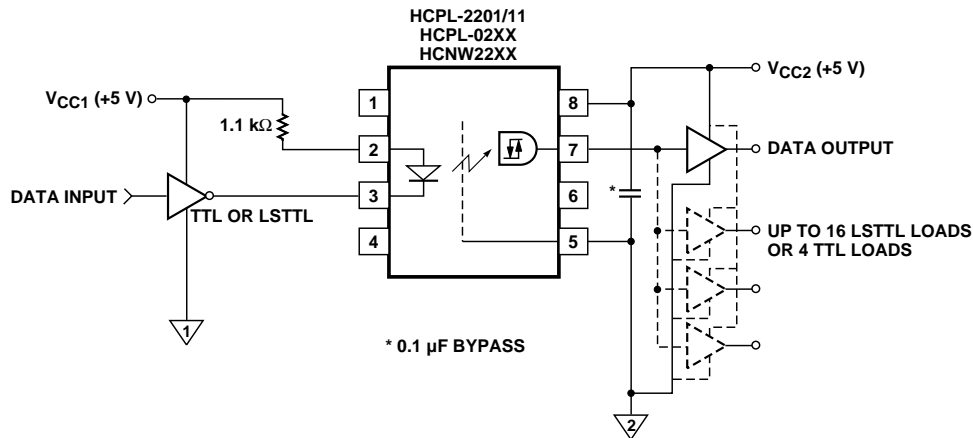


Figure 13a. Recommended LSTTL to LSTTL Circuit where 500 ns Propagation Delay is Sufficient.

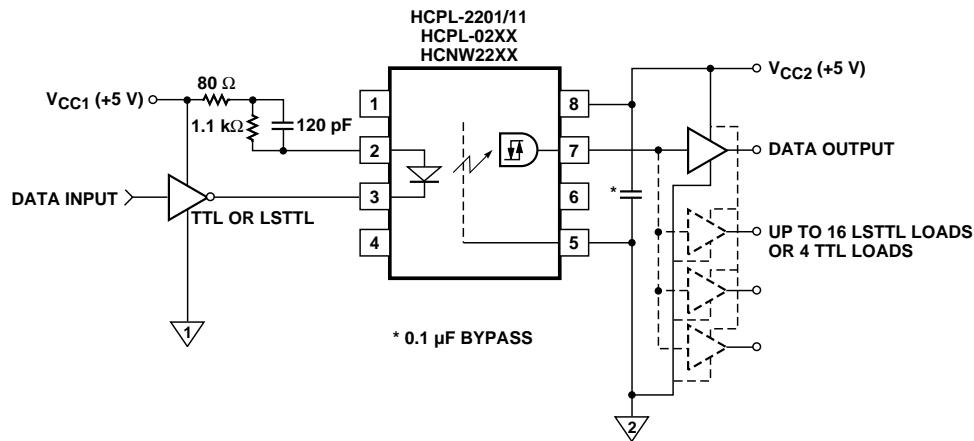


Figure 13b. Recommended LSTTL to LSTTL Circuit for Applications Requiring a Maximum Allowable Propagation Delay of 300 ns.

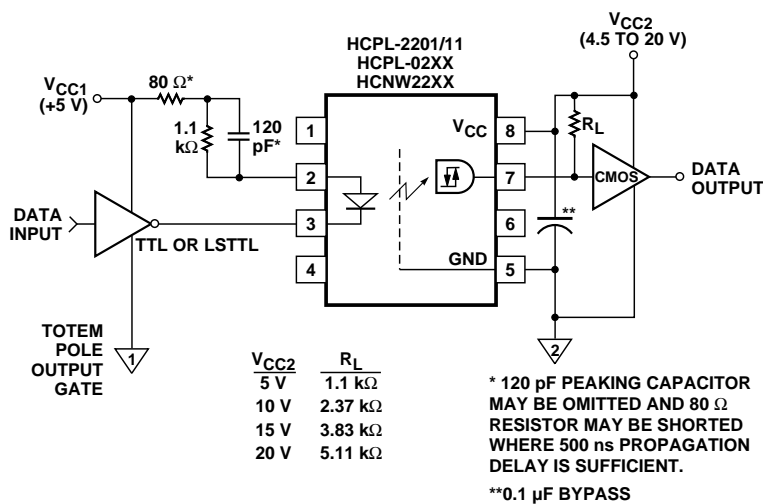


Figure 14. LSTTL to CMOS Interface Circuit.

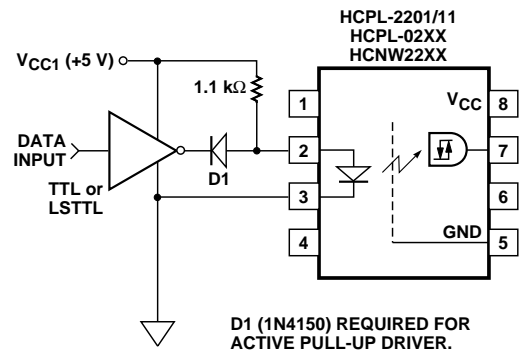


Figure 15. Alternative LED Drive Circuit.

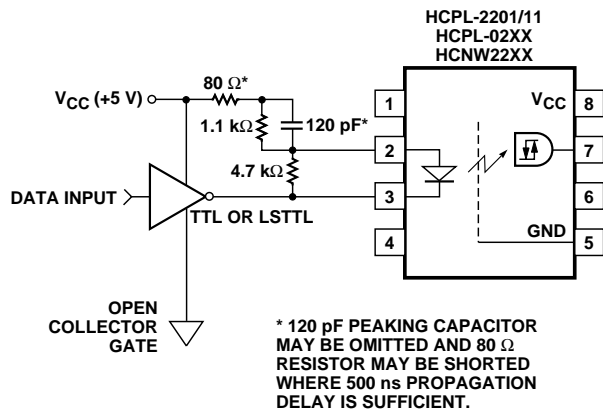


Figure 16. Series LED Drive with Open Collector Gate (4.7 k Resistor Shunts I<sub>OH</sub> from the LED).