

# PPC-103T

## 10.4" Panel PC with Intel® Pentium® III/ Celeron® Processor



### Features

- 10.4" TFT SVGA LCD
- Intel® Pentium® III and Celeron® CPU up to 850 MHz
- System memory up to 512 MB SDRAM
- One optional PCI/ISA expansion slot
- One CompactFlash® Type I and II socket (True IDE Mode)
- 10/100Base-T Ethernet
- External IDE/FDD connectors



### Introduction

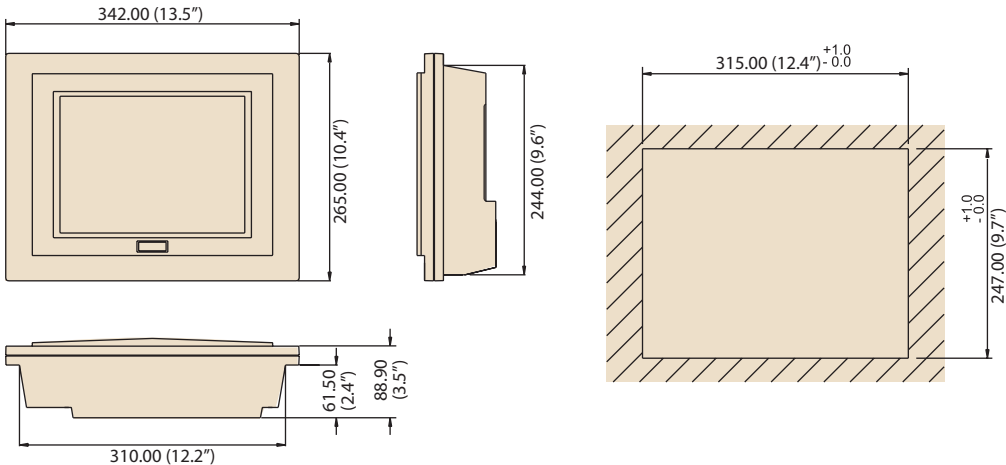
The Panel PC, PPC-103T, integrates a 10.4" SVGA TFT LCD display into a stylish and flame-resistant chassis with a depth of 61.5 mm (2.4"). It can support high performance Intel Celeron and Pentium III processors. The PPC-103T's high-brightness 800 x 600 SVGA LCD display, built-in 16-bit Sound Blaster® compatible audio controller, up to 512 MB SDRAM capacity and 10/100Base-T Ethernet controller provide integration capability to meet different application needs.

### Specifications

Processor System	Display	10.4" SVGA TFT LCD	
	CPU	Supports Intel Pentium III and Intel Celeron processors, up to 850 MHz	
	Memory	Up to 512 MB SODIMM	
	HDD	1 x EIDE interface, 2.5" type	
	FDD	Supports 1 x external FDD connector	
	SSD	Supports 1 x CompactFlash Type I and II Socket (True IDE Mode)	
	I/O ports	- 4 x serial ports: 3 x RS-232, 1 x RS-232/422/485 - 1 x parallel port, 2 x USB - External VGA port - PS/2 mouse and keyboard - Built-in Mic-in / Line-out jacks	
Network	10/100Base-T Ethernet interface		
Dimensions (W x H x D)	342 x 265 x 92.4 mm (13.5" x 10.4" x 3.64")		
Weight	3.5 kg (7.7 lb)		
LCD Display	Display Type	10.4" SVGA TFT LCD	
	Max. Resolution/Colors	800 x 600 @ 256 K	
	Pixel Pitch (mm)	0.264 x 0.264	
	Luminance (cd/m <sup>2</sup> )	230	
	Viewing Angle	60/60/35/65 (L/R/U/D)	
	Temperature	0 ~ 50° C	
	VR Controls	Yes	
	Simultaneous Mode	Yes	
	LCD MTBF	50,000 hrs	
Contrast	500 : 1		
Power Supply	AC model	Output Rating	60 W
		Input Voltage	100 ~ 240 V <sub>AC</sub> @ 50/60 Hz, autoranging
		Output Voltage	+5 V @ 5 A, +12 V @ 3 A
	DC model	Output Rating	75 W
		Input Voltage	18 V <sub>DC</sub> ~ 36 V <sub>DC</sub> , typical 24 V <sub>DC</sub> , 4.2 A max
	DC model (optional)	Output Voltage	+5 V @ 8 A, +12 V @ 2.5 A
Output Rating		65 W	
Input Voltage		9.5 V <sub>DC</sub> ~ 18 V <sub>DC</sub> , typical 12 V <sub>DC</sub> , 6.8 A max	
Touchscreen (optional)	Output Voltage	+5 V @ 7 A, +12 V @ 2 A	
	Type	Analog resistive	Infrared
	Resolution	Continuous	4096 x 4096
	Light Transmission	75%	91%
	Controller	RS-232 interface (COM 4)	RS-232 interface (COM4)
	Power Consumption	+5 V @ 200 mA	+5 V @ 150 mA
	Software Driver	Supports both DOS and Windows	
Durability	10 million touches	100,000 hrs	

**Dimensions**

Unit: mm (inch)



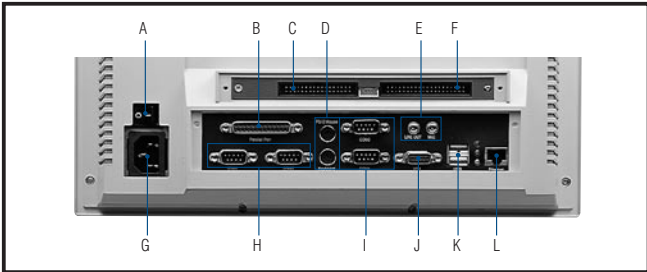
Environmental Specifications	Operating Temperature	0 ~ 45° C (32 ~ 113° F)
	Relative Humidity	10 ~ 95% @ 40° C (non-condensing)
	Shock (Operating)	10 G peak acceleration (11 ms. duration)
	EMC	CE, FCC Class B, VCCI, CCC
	Safety	UL, CE
	Front Panel Protection	IP 65/NEMA 4 compliant

**Ordering Information**

Part No.	Description
PPC-103T-BBARE	Bare BOM: PPC-103T-BBARE Intel Pentium III, Intel Celeron Panel PC with 10.4" TFT SVGA LCD display
PPC-103DC-BBARE	Bare BOM: PPC-103DC-BBARE PPC-103T with 24VDC power supply (12 VDC is optional)
PPC-103T-BBAR-TE	Bare BOM: PPC-103T-BBAR-TE PPC-103T with resistive touchscreen
PPC-103DC-BBA-TE	Bare BOM: PPC-103DC-BBA-TE PPC-103T-RT with 24VDC power supply (12 VDC is optional)
PPC-100 STAND	Stand kit for PPC-100/103 series
PPC-100 SWINARM	Swingarm kit for PPC-100/103 series
PPC-100 WALL-MT	Wall mount kit for PPC-100/103 series
PPC-EXP-103	PCI/ISA expansion kit for PPC-103
1702002600	POWER Cable UL/CSA(USA) 180D 125V10A 1.83M

\* Infrared touchscreen with sunlight readable panel can be ordered via the OEM process, and both items can be ordered separately

**Fully-Integrated I/O**



- A. Power switch
- B. Parallel port
- C. FDD port
- D. PS/2 mouse & keyboard
- E. Mic-in/Line-out
- F. IDE port
- G. AC inlet
- H. COM ports
- I. COM ports
- J. VGA port
- K. USB ports
- L. Ethernet

**Applications**

- Point-of-information/Point-of-sales terminals
- Interactive kiosks
- Entertainment terminals
- Banking/Office automation
- Production process control
- Factory automation systems