

Product Brief

TDA 4362

The Weatherband IC



The TDA 4362 is an integrated Dual-Conversion-AM-Receiver.

TDA 4362

Potential Application

- Car radios

Features

- High flexibility with external preamplifier
- 2 symmetrical or asymmetrical mixer inputs
- 2-pin-Oscillator for the 1st LO
- 1st LO with LC-tank circuit
- 1st LO, 60 to 160 MHz range
- Low narrow band noise
- Divider for 1st LO by 2, 4, 6, 8, 10, 12
- Integrated AGC generation for the prestages
- Strictly symmetrical RF path
- Decoupled direct and divided counter outputs
- 2nd LO with quartz or external source
- Output for gain controlled 2. IF
- FM-coincidence demodulator
- Two inputs for the 2nd IF-stage

Price Projection

- Standard price list
- For Key and Focus accounts or high volumes you may contact your regional Siemens sales partner

Development and Support Tools

- Application Board TDA 4362 and 4362X

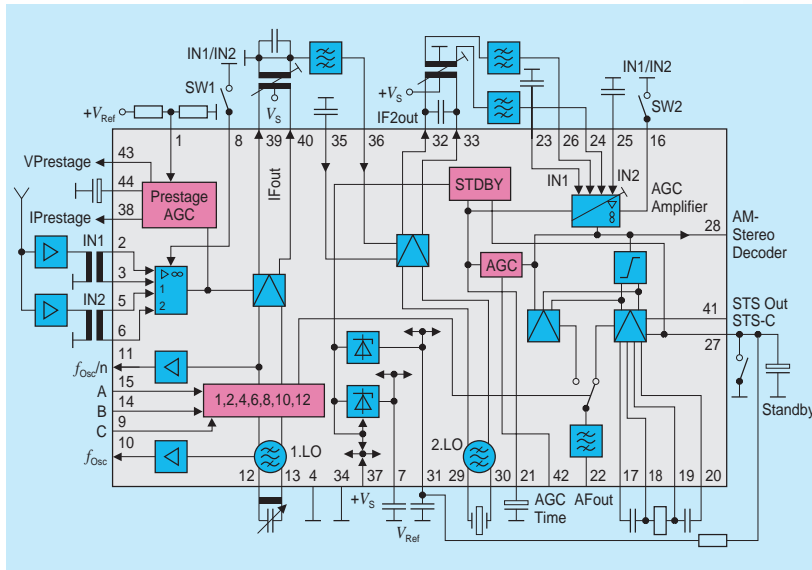
Features	Benefits
One IC for global LW/MW/SW reception	World radio
Supports US weather band (WB) services	Substitutes expensive modules
AM up/down conversion concept	Alignment free
Dual mixer input for AM and WB	No need for switching diodes

Packing

Type	Ordering Code	Package
TDA 4362	Q67007-A5228	P-MQFP-44-2
TDA 4362X	Q67007-A5238	P-DSO-28-1

Documentation	Date of Issue/Version
Specification	4/98
Application (TDA 4362)	1/98

Block Diagram

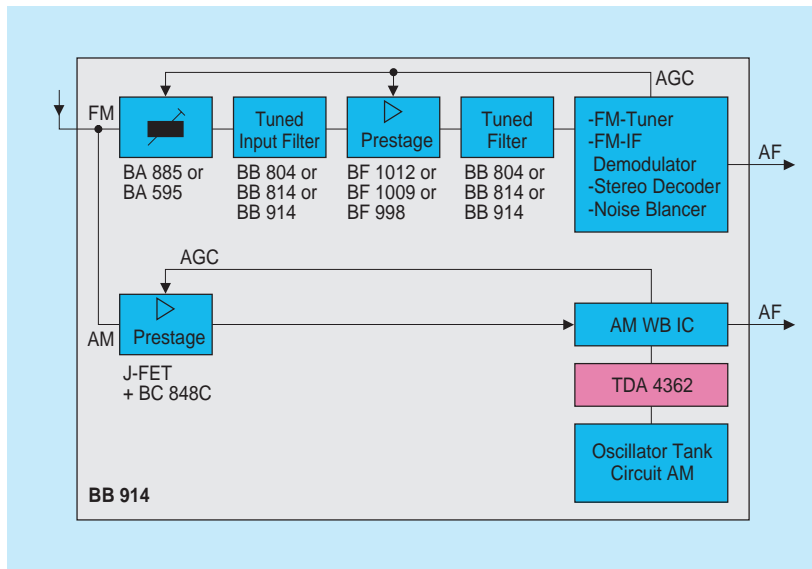


Availability

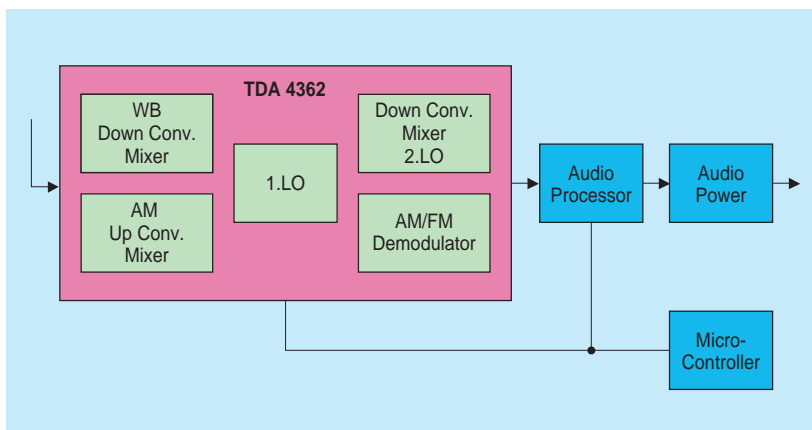
**Samples available;
Product development release**

- (A) Wien** ☎ (+43) 1-1707-356 11
- (AUS) Richmond (Melbourne), Vic. 3121** ☎ (+61) 3-9420 71 11
- (B) Brussel/Bruxelles** ☎ (+32) 2-536 23 48
- (BR) São Paulo-SP** ☎ (+55) 11-836 23 77/ 26 84
- (CDN) Mississauga, Ontario L5T 1P2** ☎ (+1) 905-819 80 00
- (CH) Zürich** ☎ (+41) 1-495 30 65
- (D) Düsseldorf** ☎ (+49) 211-399 15 51
Laatzen (Hannover) ☎ (+49) 511-877 27 06
Nürnberg ☎ (+49) 911-654 76 22
Stuttgart ☎ (+49) 711-137 33 14
München ☎ (+49) 89-9221 40 86
- (DK) Ballerup** ☎ (+45) 4477-44 77
- (E) Tres Cantos-Madrid** ☎ (+34) 911-514 80 00
- (F) Saint-Denis CEDEX 2** ☎ (+33) 1-4922 31 00
- (FIN) Espoo (Helsinki)** ☎ (+35) 9-5105 1
- (GB) Berkshire RG 12 8FZ** ☎ (+44) 1344-39 60 00
- (GR) Amaroussio/Athen** ☎ (+30) 1-686 41 11
- (HK) Hong Kong** ☎ (+852) 2832 05 00
- (I) Milano** ☎ (+39) 02-6676-1
- (IND) New Delhi 110 014** ☎ (+91) 11-461 74 47
Bangalore 560 001 ☎ (+91) 80-227 98 74
Mumbai ☎ (+91) 22-496 21 99
- (IRL) Dublin 4** ☎ (+353) 1-603 23 42
- (J) Tokyo 141-0022** ☎ (+81) 3-5449 64 11
- (MAL) Penang** ☎ (+60) 4-644 99 75
- (N) Oslo 5** ☎ (+47) 22-663 30 00
- (NL) Den Haag** ☎ (+31) 70-333 24 29
- (NZ) Auckland** ☎ (+64) 9-520 30 33
- (P) Amadora** ☎ (+35) 1-417 00 11
- (PK) Islamabad** ☎ (+92) 51-21 22 00
- (PL) Warszawa** ☎ (+48) 2-670 91 51
- (RC) Taipei** ☎ (+886) 2-2773 66 06
- (ROK) Seoul 135-080** ☎ (+82) 2-527 77 00
- (RUS) Moskva** ☎ (+7) 095-237-64 76, -69 11
- (S) Kista** ☎ (+46) 8-703 35 00
- (SGP) Singapore 349 253** ☎ (+65) 840 06 10
- (TR) Findikli (Istanbul)** ☎ (+90) 212-251 09 00
- (USA) Cupertino, CA 95014** ☎ (+1) 408-777 45 00
Cupertino, CA 95014 ☎ (+1) 408-257 79 10
Iselin, NJ 08830-2770 ☎ (+1) 732-906 43 00
- (VRC) Beijing** ☎ (+86) 10-6857 90 -06, -07
Shanghai 200003 ☎ (+86) 21-6361 26 18/19
- (ZA) Halfway House 1685** ☎ (+27) 11-652-20 00, -27 00

FM Semiconductors in Car Radio AM/WB Receivers



AM/WB Receiver TDA 4362



How to reach us:
<http://www.siemens.de/semiconductor>

© Siemens AG 1998.
All Rights Reserved.
Please note that any information contained in this publication may be subject to change. Siemens reserves the right to make changes to or to discontinue any product or service identified in this publication without notice.
Please contact our regional offices to receive the latest version of the relevant information to verify, before placing orders, that the information being relied upon is current.
All brand or product names, hardware or software names are trademarks of their respective companies or organizations.

Published by Semiconductor Group

Siemens Aktiengesellschaft

Ordering No. B168-H7391-X-X-7600
Printed in Germany
PS 11983.