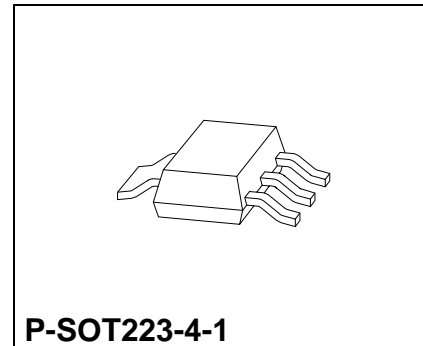


### Features

- Output voltage tolerance  $\leq \pm 2 \%$
- Low-drop voltage
- Very low current consumption
- Overtemperature protection
- Short-circuit proof
- Suitable for use in automotive electronics
- Reverse polarity



Type	Ordering Code	Package
TLE 4264 G	Q67006-A9139	P-SOT223-4-1 (SMD)

### Functional Description

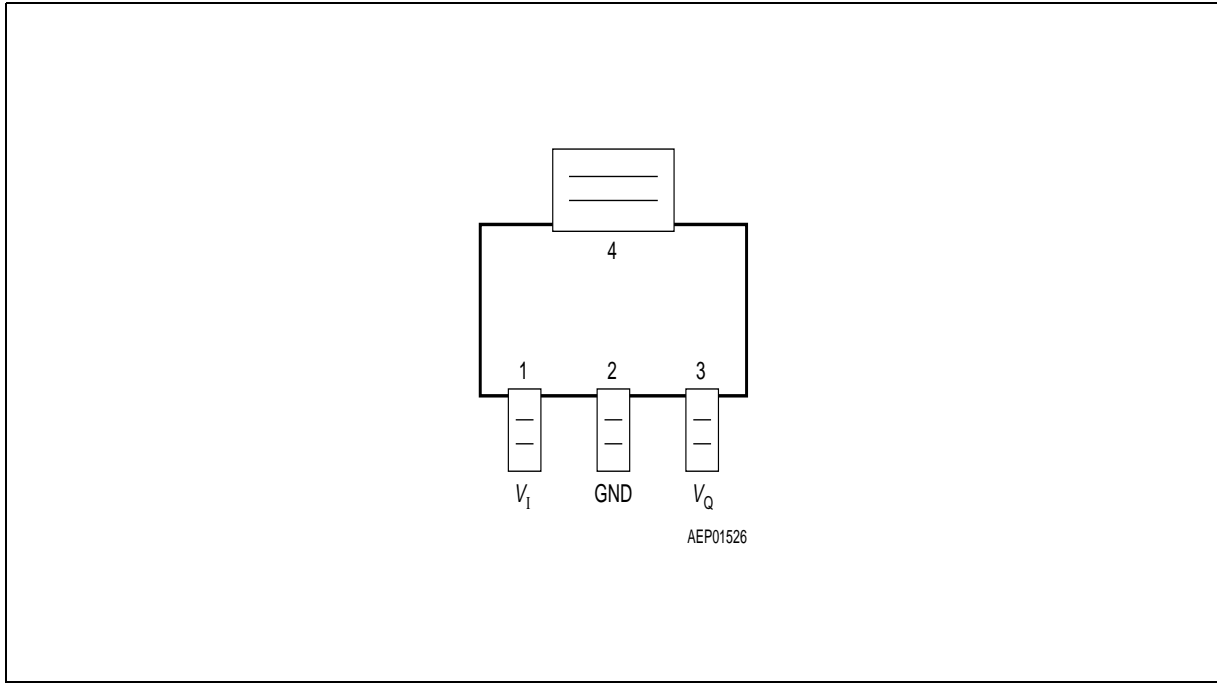
TLE 4264 G is a 5-V low-drop fixed-voltage regulator in an SOT-223 package. The IC regulates an input voltage  $V_i$  in the range  $5.5 \text{ V} < V_i < 45 \text{ V}$  to  $V_{\text{Qrated}} = 5.0 \text{ V}$ . The maximum output current is more than 120 mA. This IC is shortcircuit-proof and features temperature protection that disables the circuit at overtemperature.

### Dimensioning Information on External Components

The input capacitor  $C_i$  is necessary for compensating line influences. Using a resistor of approx.  $1 \Omega$  in series with  $C_i$ , the oscillating of input inductivity and input capacitance can be clamped. The output capacitor  $C_o$  is necessary for the stability of the regulating circuit. Stability is guaranteed at values  $C_o \geq 10 \mu\text{F}$  and an  $\text{ESR} \leq 10 \Omega$  within the operating temperature range.

**Pin Configuration**

(top view)

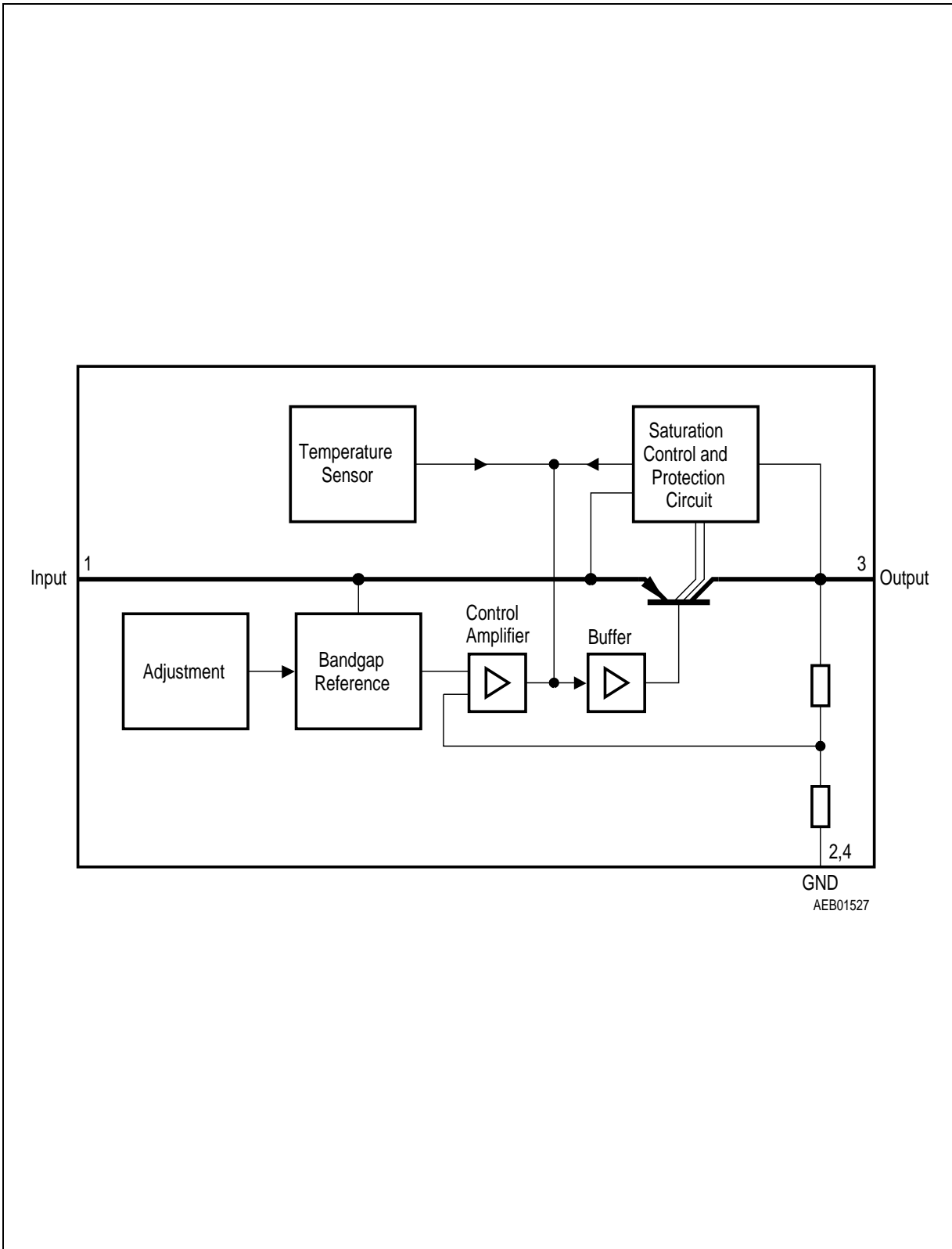


**Pin Definitions and Functions**

Pin	Symbol	Function
1	$V_I$	<b>Input voltage</b> ; block to ground directly on IC with ceramic capacitor
2, 4	GND	<b>Ground</b>
3	$V_Q$	<b>5-V output voltage</b> ; block to ground with $\geq 10\text{-}\mu\text{F}$ capacitor, ESR $< 10 \Omega$

**Circuit Description**

The control amplifier compares a reference voltage, which is kept highly precise by resistance adjustment, to a voltage that is proportional to the output voltage and drives the base of the series transistor via a buffer. Saturation control, working as a function of load current, prevents any over-saturation of the power element. The IC is additionally protected against overload, overtemperature and reverse polarity.



Block Diagram

Downloaded from [Elcodis.com](http://Elcodis.com) electronic components distributor

## Absolute Maximum Ratings

$T_j = -40$  to  $150$  °C

Parameter	Symbol	Limit Values		Unit	Notes
		min.	max.		

### Input

Input voltage	$V_I$	- 42	45	V	-
Input current	$I_I$	-	-	-	limited internally

### Output

Output voltage	$V_Q$	- 1	16	V	-
Output current	$I_Q$	-	-	-	limited internally

### Ground

Current	$I_{GND}$	50	-	mA	-
---------	-----------	----	---	----	---

### Temperatures

Junction temperature	$T_j$	-	150	°C	-
Storage temperature	$T_{stg}$	- 50	150	°C	-

### Operating Range

Input voltage	$V_I$	5.5	45	V	-
Junction temperature	$T_j$	- 40	150	°C	-

### Thermal Resistances

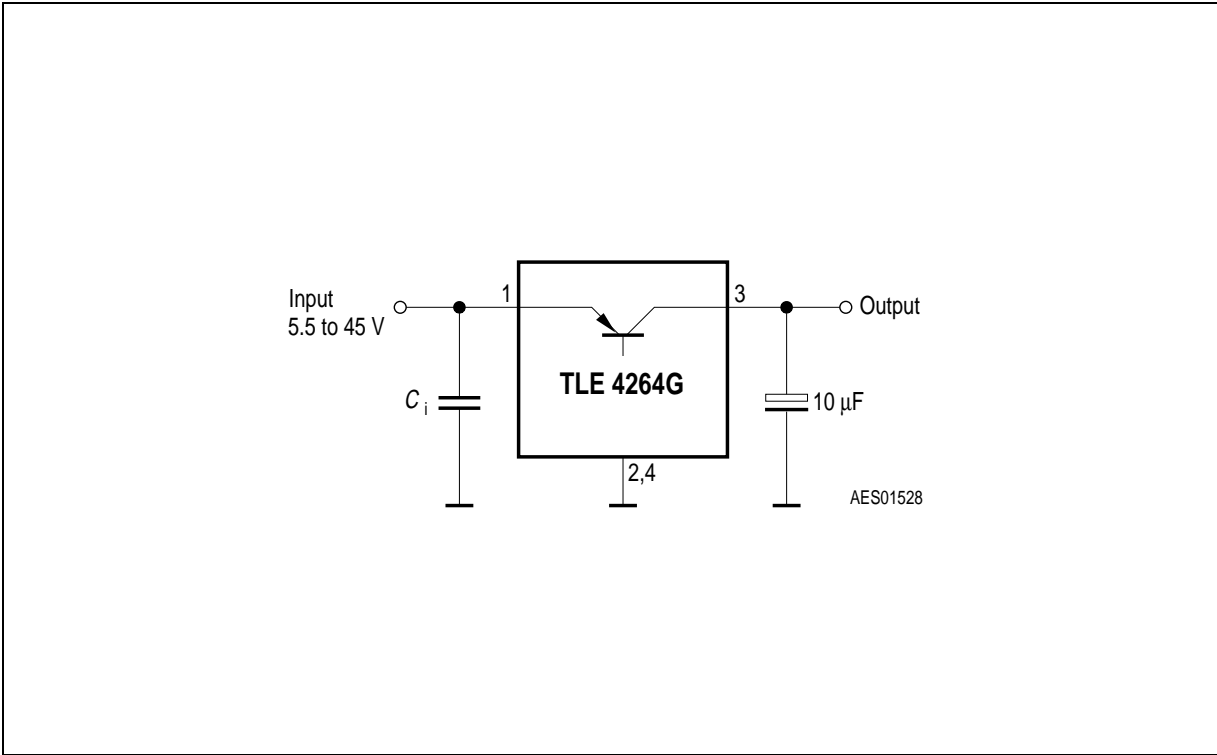
System-air	$R_{th SA}$	-	100	K/W	soldered in
System-case	$R_{th SC}$	-	25	K/W	-

**Characteristics**

$V_I = 13.5 \text{ V}$ ;  $-40 \text{ °C} \leq T_j \leq 125 \text{ °C}$ , unless specified otherwise

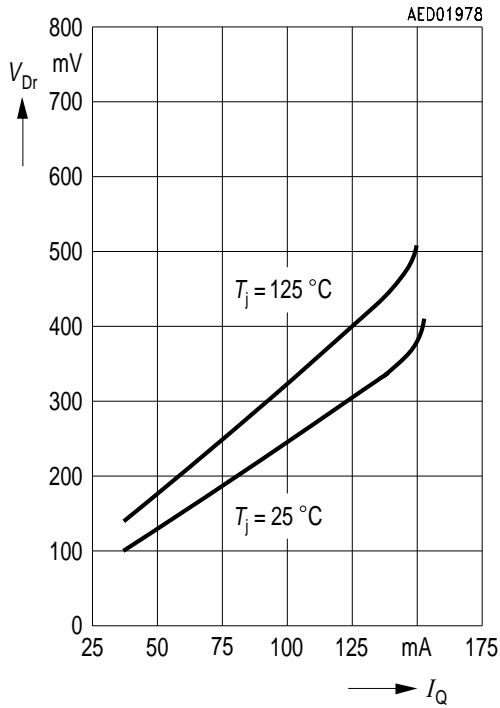
Parameter	Symbol	Limit Values			Unit	Test Conditions
		min.	typ.	max.		
Output voltage	$V_Q$	4.9	5.0	5.1	V	$5 \text{ mA} \leq I_Q \leq 100 \text{ mA}$ $6 \text{ V} \leq V_I \leq 28 \text{ V}$
Output-current limiting	$I_Q$	120	150	–	mA	–
Current consumption $I_q = I_I - I_Q$	$I_q$	–	–	400	$\mu\text{A}$	$I_Q = 1 \text{ mA}$
Current consumption $I_q = I_I - I_Q$	$I_q$	–	10	15	mA	$I_Q = 100 \text{ mA}$
Drop voltage	$V_{dr}$	–	0.25	0.5	V	$I_Q = 100 \text{ mA}^{1)}$
Load regulation	$\Delta V_Q$	–	–	40	mV	$I_Q = 5 \text{ to } 100 \text{ mA}$ $V_I = 6 \text{ V}$
Supply-voltage regulation	$\Delta V_Q$	–	15	30	mV	$V_I = 6 \text{ to } 28 \text{ V}$ $I_Q = 5 \text{ mA}$
Supply voltage suppression	$SVR$	–	54	–	dB	$f_r = 100 \text{ Hz}$ $V_r = 0.5 \text{ Vpp}$

<sup>1)</sup> Drop voltage =  $V_I - V_Q$  (measured where  $V_Q$  has dropped 100 mV from the nominal value obtained at  $V_I = 13.5 \text{ V}$ )

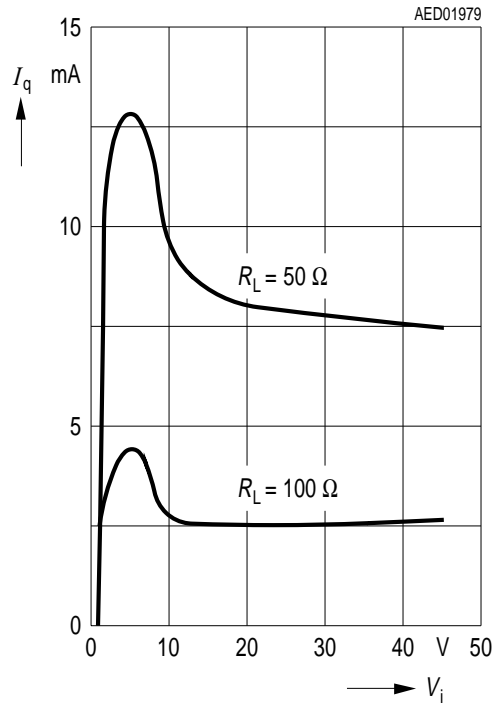


Application Circuit

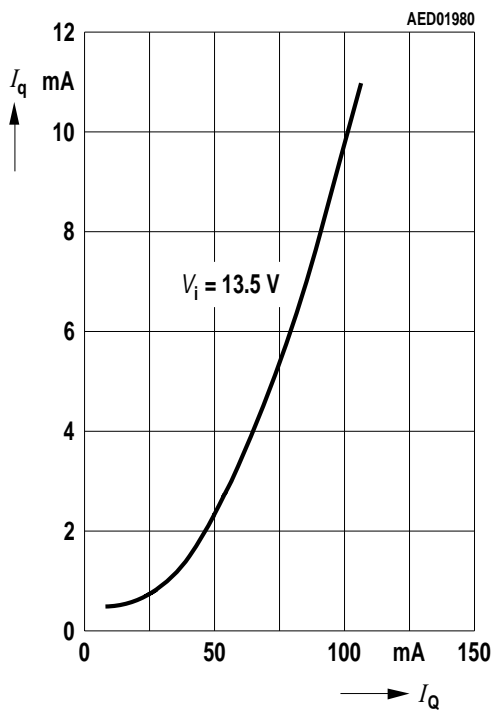
Drop Voltage  $V_{Dr}$  versus Output Current  $I_Q$



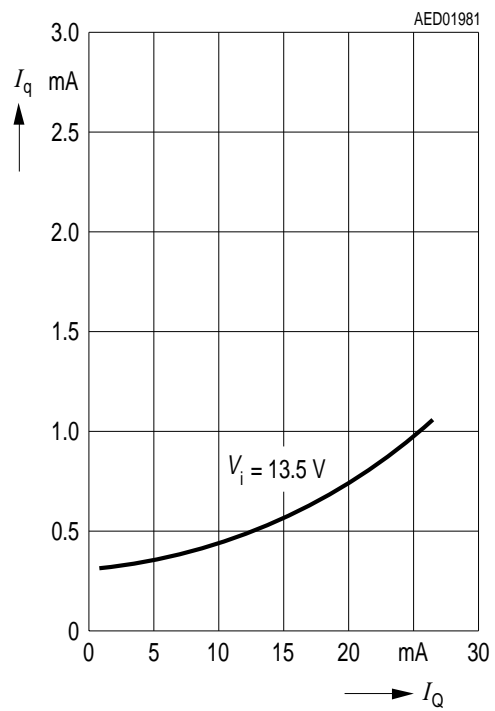
Current Consumption  $I_q$  versus Input Voltage  $V_i$



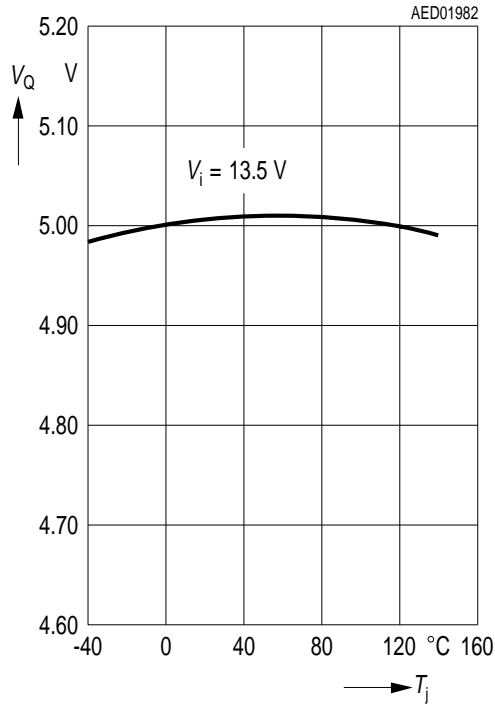
Current Consumption  $I_q$  versus Output Current  $I_Q$



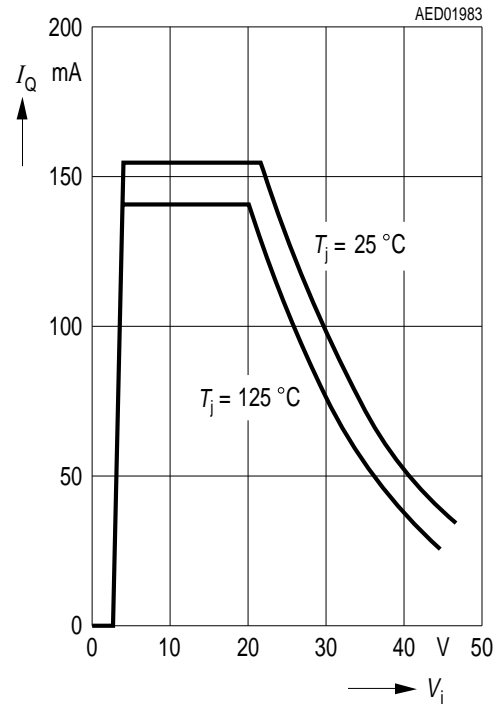
Current Consumption  $I_q$  versus Output Current  $I_Q$



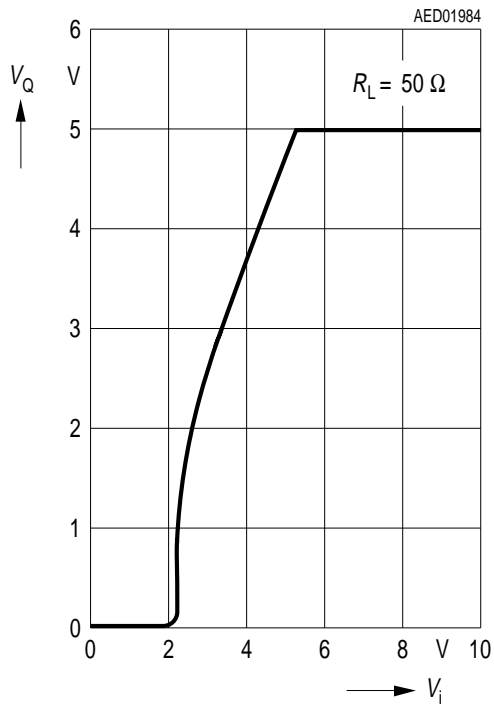
Output Voltage  $V_Q$  versus Temperature  $T_j$



Output Current  $I_Q$  versus Input Voltage  $V_i$

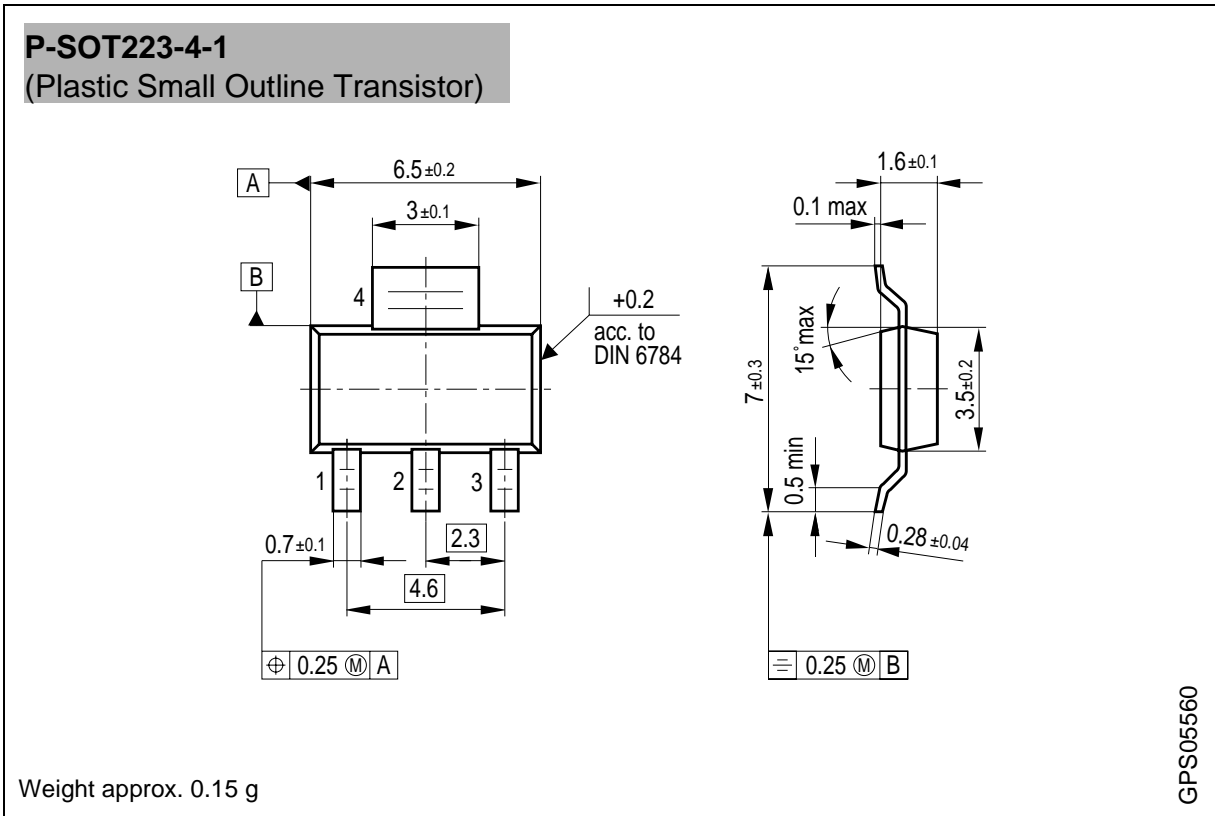


Output Voltage  $V_Q$  versus Input Voltage  $V_i$





Package Outlines



Sorts of Packing

Package outlines for tubes, trays etc. are contained in our Data Book "Package Information"

SMD = Surface Mounted Device

Dimensions in mm