

TSR-805

玻璃釉微調電位器

- 8mm Round/ Single-Turn/ Cermet Industrial/ Open Frame
- Cross slot adjustment options
- Horizontal and vertical mounting styles
- Dust resistant/ splash resistant covers
- PC board stand-offs and retention feature
- Front and top adjust styles

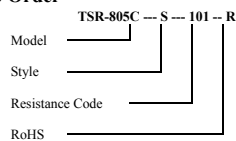


Electrical Characteristics	
Standard Resistance Range	100Ω to 1meg ohm (see standard resistance table)
Resistance Tolerance	±20% (TK±25%)
Adjustment Angle	280° ± 15°
Residual Resistance	≤500Ω, 10Ω>500Ω, 2% (TK≤1KΩ, 2KΩ>1KΩ, 5%)

Environmental Characteristics	
Power Rating Max	250V (TK0.1Watt)
Working Voltage	70°C
70°C	0.3Watt (TK0.2Watt)
Temperature Range	-30°C to +100°C (TK -25°C to +100°C)
Temperature Coefficient	±250ppm/°C (TK±1000 ppm/°C)
Rotational Life	±10% (TK±15%)
Load Life	1000 hours 0.3Watt 70°C ±5% (TK 500 hours 0.2Watt 70°C ≤100KΩ, +7%>100KΩ, ±10%)

Physical Characteristics	
Torque (Operating)	50~350gf. Cm
Stop Strength	0.8kgf. cm
Soldering Conditions	240°C to 260°C And within 3 seconds
Marking	Resistance Code
Standard Packing	500 PCS Per bag
Aqueous cleaning not recommended	

How to Order

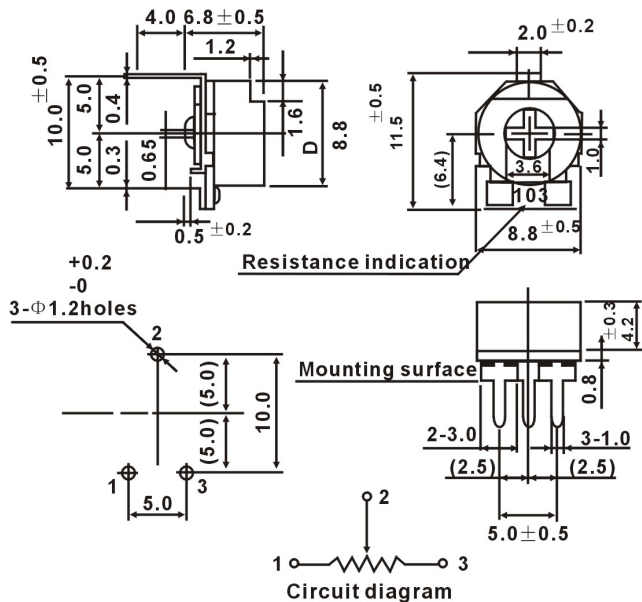


Standard Resistance table

Resistance(Ohms)	Resistance Code
100	101
200	201
300	301
500	501
1,000	102
10,000	103
100,000	104
1,000,000	105

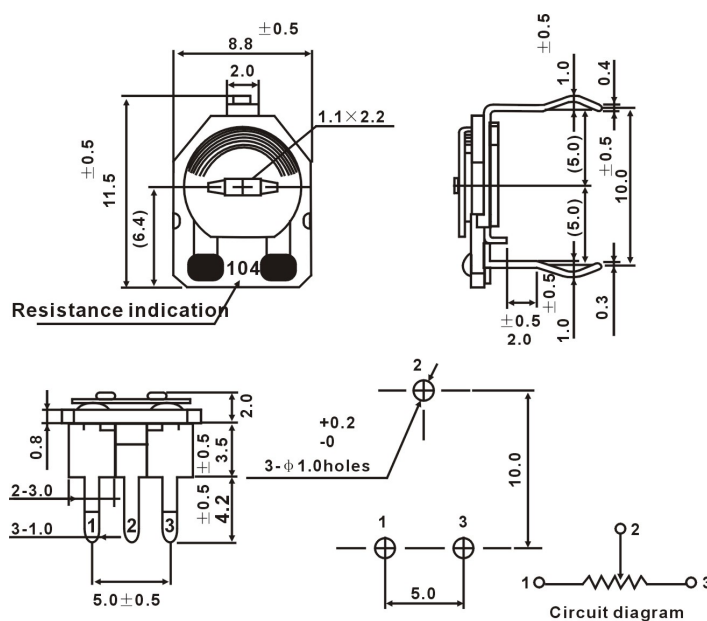
Cover Style		L	D
Q	N1	4.2	8.8
	N2	6.7	5.0
	N4	12.7	5.0
	K2	5.7	6.0
G	K3	9.7	6.0
	K5	15	6.0

TSR-805C-S



MOUNTING DETAIL TOLERANCE ±0.1

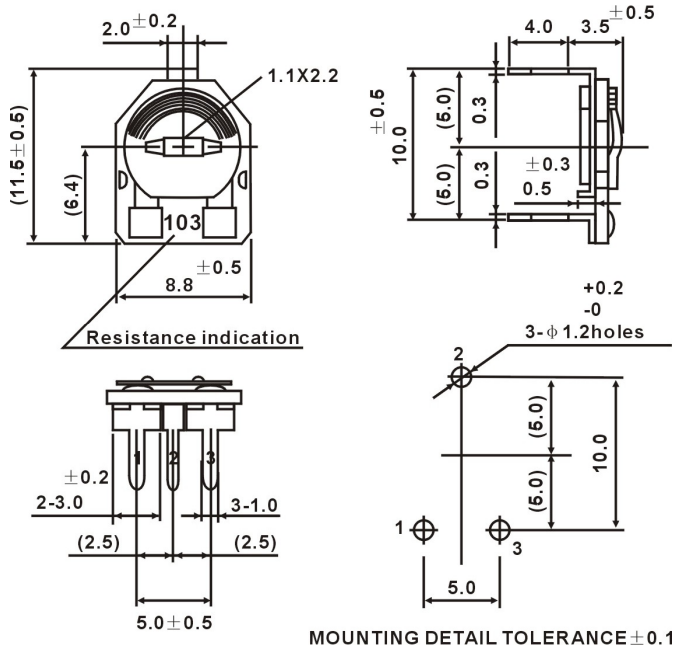
TSR-805M



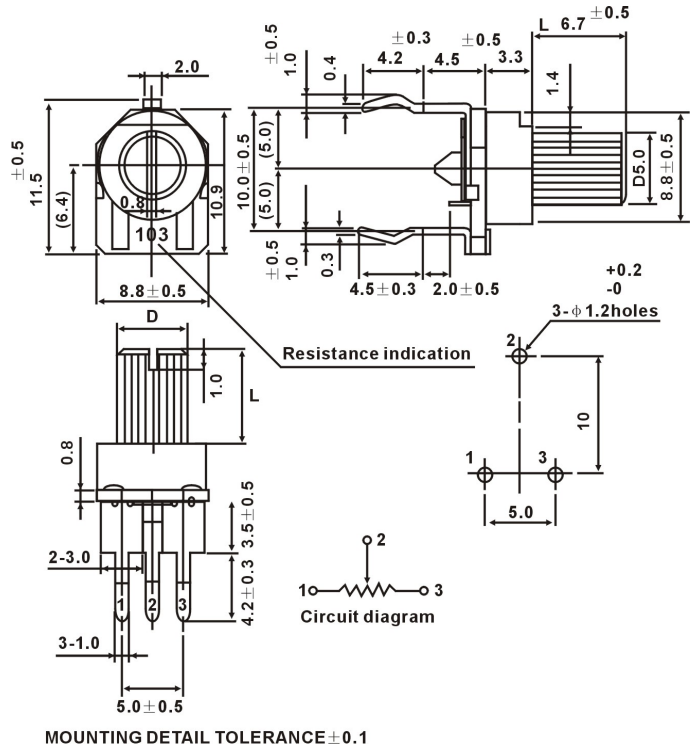
MOUNTING DETAIL TOLERANCE ±0.1

TSR-805

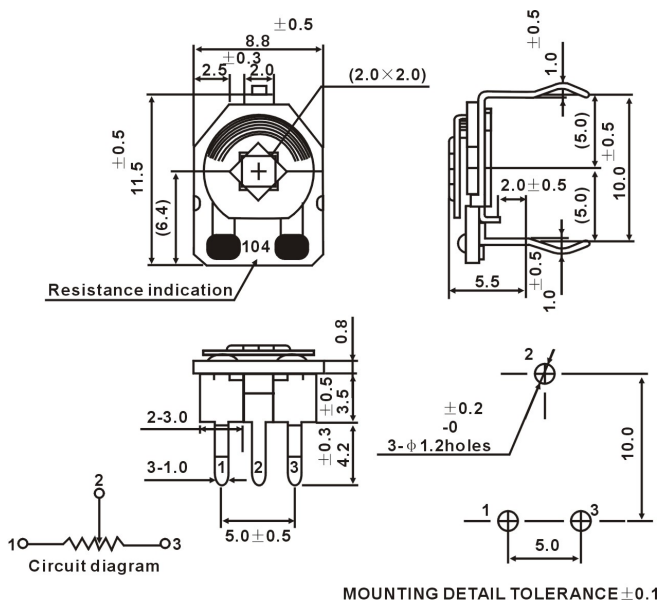
TSR-805M-S



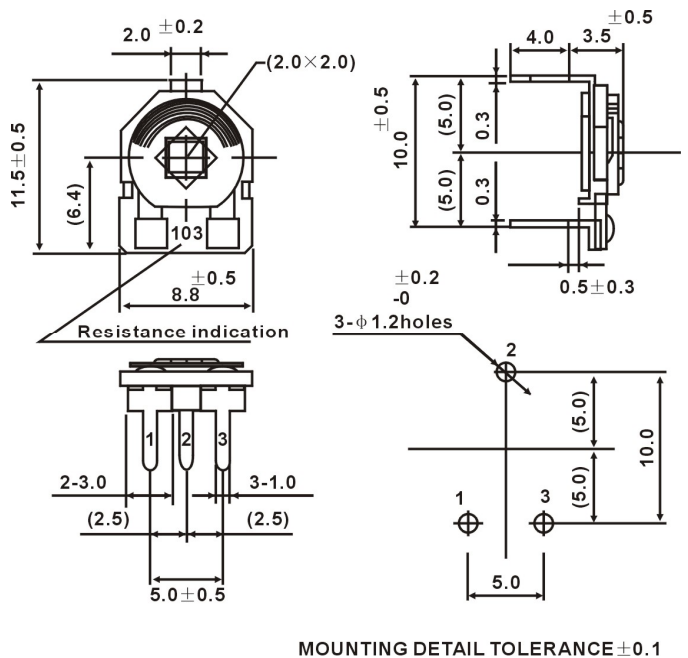
TSR-805P



TSR-805S



TSR-805S-S



Note: Specification are subject to change without notice. For more detail and update, please visit our website.