

TSR-3540S



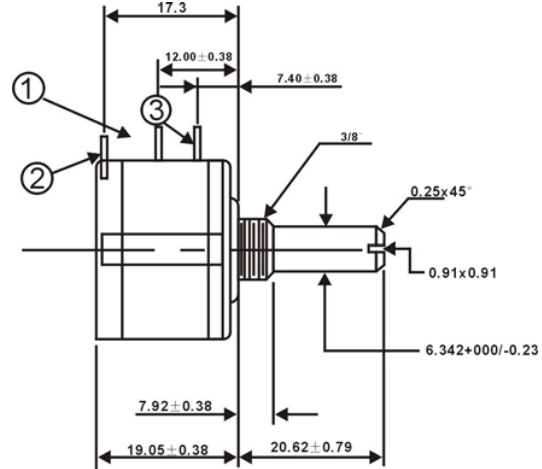
- At room ambient: +25°C nominal and 50% relative Humidity nominal, except as noted.
- Consult manufacturer for complete specification details

Electrical Characteristics	3540 Wirewound Element
Standard Resistance Range	100 to 100K ohms
Total Resistance Tolerance	±5%
Independent Linearity	±0.25%
Effective Electrical Angle	3600° ± 10°
Absolute Minimum Resistance/ Minimum Voltage	1 ohm or 0.2% max (Whichever is greater)
Noise/ Output Smoothness	100 ohms ENR max
Dielectric Withstanding Voltage (MIL-STD-202, Method 301) Sea Level	1000 VAC minimum
Power Rating (Voltage Limited By Power Dissipation or 447VAC, Whichever is Less)	2 watts 0 watt
+70°C	
+125°C	
Insulation Resistance (500 VDC)	1000 meg ohms min
Resolution	See recommended part#

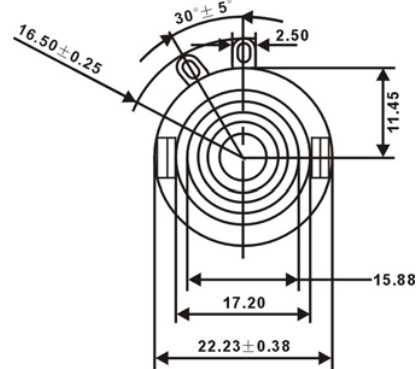
Environmental Characteristics	3540 Wirewound Element
Operating Temperature Range	+1°C to +125°C
Storage Temperature Range	-55°C to +125°C
Temperature Coefficient Over Storage Temperature Range	±100ppm/°C maximum/ unit
Vibration	15G
Wiper Bounce	0.1 millisecond maximum
Shock	50G
Wiper Bounce	0.1 millisecond maximum
Load Life	1000 hours, 2 watts
Total Resistance Shift	±2%
Rotational Life (No Load)	1,000,000 shaft revolutions
Total Resistance Shift	±5% maximum
Moisture Resistance (MIL-STD-202, Method 103, Condition B)	±2% maximum
Total Resistance Shift	
IP Rating	IP 40

Mechanical Characteristics	
Stop Strength	53 N-cm (75 oz-in) minimum
Mechanical Angle	3600° ± 10°
Torque (Starting & Running)	0.35 N-cm (0.5 oz-in) max
Mounting	170-200 N-cm (15-18 lb.-in.) max
Backlash	1.0°C maximum
Weight	Approximately 21gm
Soldering Condition Manual	96.5Sn/ 3.0Ag/ 0.5Cu solid wire or no-clean rosin cored wire; 370°C (700°C F) max. for 3 seconds
Soldering	
Wave Soldering	96.5Sn/ 3.0Ag/ 0.5Cu solder with no-clean flux; 260°C (500°C F) max. for 5 seconds
Wash Processes	Not recommended
Marking	Manufacturer's name and part number, resistance value and tolerance, linearity tolerance, wiring diagram and date code
Ganging (Multiple Section Pots)	2 cups maximum
Hardware	One lockwasher (H-37-2) and one mounting nut (H-38-2) is shipped with each potentiometer

TSR-3540S-1



OPTIONAL ANTIROTATION LUG (-91) 1.42x0.50 ON 7.4 RADIUS. LENGTH 1.27 FROM MOUNTING SURFACE. (SUGGESTED PANEL HOLE 1.6 DIA.)



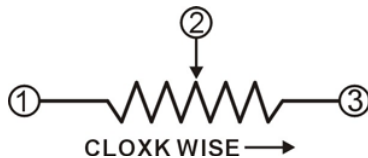
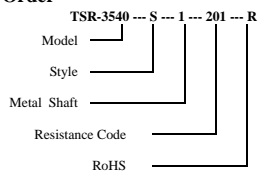
TOLERANCE: EXCEPT WHERE NOTED

DECIMALS: XX± 0.25 (0.010), XXX± 0.13 (0.005)

FRACTIONS: ±1/64

DIMENSIONS: MM (IN.)

How to Order



BOLDFACE LISTINGS ARE IN STOCK AND READILY AVAILABLE THROUGH DISTRIBUTION

FOR SERVO MOUNT VERSION AND OTHER OPTIONS CONSULT FACTORY.

FOR OTHER OPTIONS CONSULT FACTORY.

ROHS IDENTIFIER:
L = COMPLIANT
BLANK = NON-COMPLIANT

Standard Resistance table

TSR-3540S-1

Resistance (Ohms)	Resistance Code	Resolution (%)
200	201	0.042
500	501	0.031
1,000	102	0.027
2,000	202	0.021
5,000	502	0.021
10,000	103	0.019
20,000	203	0.014
50,000	503	0.011
100,000	104	0.008

Note: Specification are subject to change without notice. For more detail and update, please visit our website.