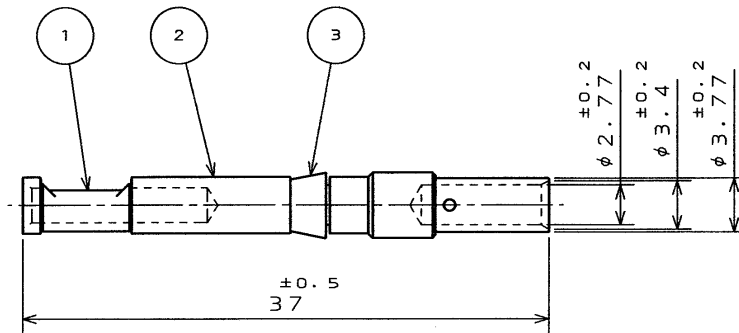


SYM.	DCN NO.	DESCRIPTION	DATE	DRAWN	CHECKED	APP'D	APP'D
------	---------	-------------	------	-------	---------	-------	-------



NOTE 1. APPLICABLE WIRE SIZE IS MENTIONED BELOW.

TABLE 1

CRIMP TYPE	APPLICABLE WIRE	
	WIRE SIZE	INSULATION OUTER DIA.
C 1	AWG#12~16 (3.5mm~1.25mm)	φ 4.65MAX.

ITEM	DESCRIPTION	Q'TY	MATERIAL	FINISH	REMARKS
3	RETAINER CLIP	1	SYNTHETIC RESIN	—	—
2	SOCKET CONTACT	1	COPPER ALLOY	SILVER PLATING	—
1	SPRING	1	COPPER ALLOY	SILVER PLATING	—

UNLESS OTHERWISE SPECIFIED: T 73-18-M			DATE 21. Apr. '95	TITLE JAE-CONNECTOR.COM Reference Only	
DIMENSIONS ARE IN MILLIMETERS			DRAWN M. OOWA	CONT-JL05-12S-C1 JAE ELECTRONICS INDUSTRY, LTD.	
TOLERANCES ON : (INCHES)			CHECKED S. NANA O	(#12 SOCKET MACHINE CONTACT)	
FRACTIONS	DECIMALS	ANGLES	APP'D T. MORITA	MUSASHINO, AKISHIMA-SHI TOKYO, JAPAN	
			APP'D M. Takagi	SERIES JL05	SCALE 2/1
					DWG. NO. SJ025429-E

DCF-C-142