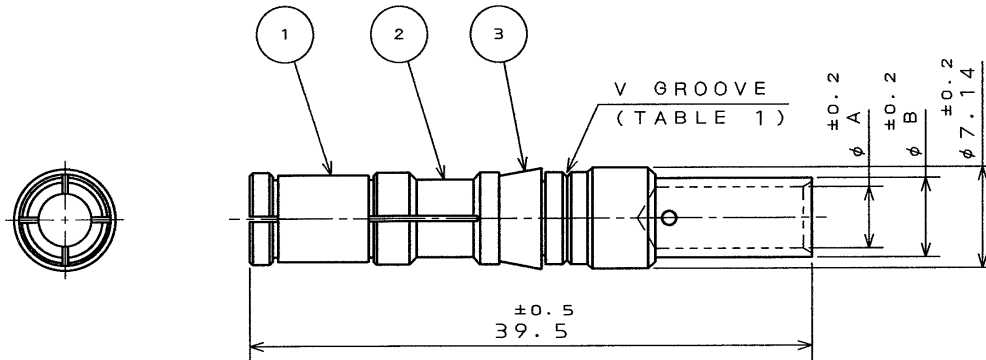


SYM.	DCN NO.	DESCRIPTION	DATE	DRAWN	CHECKED	APP'D	APP'D
------	---------	-------------	------	-------	---------	-------	-------



NOTE 1. APPLICABLE WIRE SIZE IS MENTIONED BELOW.

TABLE 1

CRIMP TYPE	APPLICABLE WIRE		V GROOVE	DIMENSIONS	
	WIRE SIZE	INSULATION OUTER DIA.		φ A	φ B
C 1	AWG# 8~10 (8 mm~5.5 mm)	φ 7.25 MAX.	WITH V GROOVE	4.3	5.6
C 2	AWG# 10~12 (5.5 mm~3.5 mm)	φ 7.25 MAX.	WITHOUT V GROOVE	3.5	4.5

3	RETAINER CLIP	1	SYNTHETIC RESIN	_____	_____
2	SOCKET CONTACT	1	COPPER ALLOY	SILVER PLATING	_____
1	SPRING	1	COPPER ALLOY	SILVER PLATING	_____
ITEM	DESCRIPTION	Q'TY	MATERIAL	FINISH	REMARKS

UNLESS OTHERWISE SPECIFIED: T76-20-M			DATE 21. Apr. '95	TITLE JAE-CONNECTOR.COM CONT-JL05-08S-C* Reference Only		JAPAN ELECTRONICS INDUSTRY, LTD.	
DIMENSIONS ARE IN MILLIMETERS			DRAWN M. OOWA	(#8 SOCKET MACHINE CONTACT)		MUSASHINO, AKISHIMA-SHI TOKYO, JAPAN	
TOLERANCES ON : (INCHES)			CHECKED S. NANA0			DWG. NO. SJ025431-E	
FRACTIONS	DECIMALS	ANGLES	APP'D T. MORITA	SERIES JL05	SCALE 2/1		
			APP'D M. Takagi				

DCF-C-142