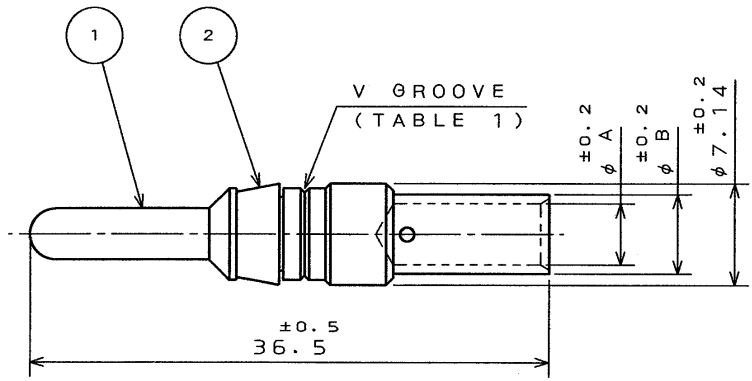


SYM.	DCN NO.	DESCRIPTION	DATE	DRAWN	CHECKED	APP 'D	APP 'D
------	---------	-------------	------	-------	---------	--------	--------



NOTE 1. APPLICABLE WIRE SIZE IS MENTIONED BELOW.

TABLE 1

CRIMP TYPE	APPLICABLE WIRE		V GROOVE	DIMENSIONS	
	WIRE SIZE	INSULATION OUTER DIA.		φ A	φ B
C 1	AWG# 8~10 (8 mmf~5.5 mmf)	φ 7.25MAX.	WITH V GROOVE	4.3	5.6
C 2	AWG# 10~12 (5.5 mmf~3.5 mmf)	φ 7.25MAX.	WITHOUT V GROOVE	3.5	4.5

2	RETAINER CLIP	1	SYNTHETIC RESIN	_____	_____
1	PIN CONTACT	1	COPPER ALLOY	SILVER PLATING	_____
ITEM	DESCRIPTION	Q'TY	MATERIAL	FINISH	REMARKS

UNLESS OTHERWISE SPECIFIED: T75-20-M			DATE 21. Apr. '95	TITLE CONT-JL05-08P-C* (#8 PIN MACHINE CONTACT)		<b>JAE-CONNECTOR.COM</b> Reference Only JAEA AVIATION ELECTRONICS INDUSTRY, LTD. MUSASHINO, AKISHIMA-SHI TOKYO, JAPAN
DIMENSIONS ARE IN MILLIMETERS			DRAWN M. OOWA			
TOLERANCES ON : (INCHES)			CHECKED S. NANA O			
FRACTIONS	DECIMALS	ANGLES	APP'D T. MORITA			
			APP'D M. Takagi	SERIES JL05	SCALE 2/1	DWG. NO. SJ025430-E