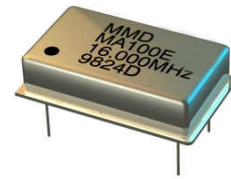


# MAP, MAL, and MAV Series



- Industry Standard Package
- Wide Frequency Range
- RoHS Compliant Available
- Less than 1 pSec Jitter

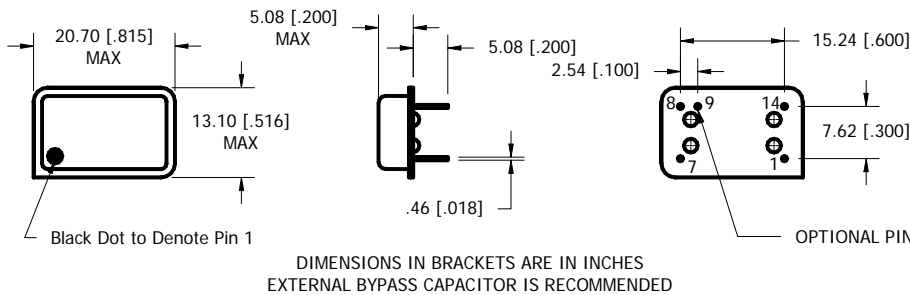


## ELECTRICAL SPECIFICATION:

		LVDS	LVPECL	PECL
Frequency Range		12.500MHz to 800.000MHz		
Frequency Stability*		(See Part Number Guide for Options)		
Operating Temp. Range		(See Part Number Guide for Options)		
Storage Temp. Range		-55°C to +125°C		
Aging		±5 ppm / yr max		
Logic "0"		1.43V typ	Vdd - 1.620 VDC max	Vdd - 1.620 VDC max
Logic "1"		1.10V typ	Vdd- 1.025 vdc min	Vdd- 1.025 vdc min
Supply Voltage (Vdd)	2.5VDC ± 5%	50 mA max	50 mA max	N/A
	3.3VDC ± 5%	60 mA max	60 mA max	N/A
	5.0VDC ± 5%	N/A	N/A	140 mA max
Symmetry (50% of waveform)		(See Part Number Guide for Options)		
Rise / Fall Time (20% to 80%)		2nSec max		
Load		50 Ohms into Vdd-2.00 VDC		
Start Time		10mSec max		
Phase Jitter (12kHz to 20MHz)		Less than 1 pSec		
Tri-State Operation		Vih = 70% of Vdd min to Enable Output Vil = 30% max or grounded to Disable Output (High Impedance)		

\* Inclusive of Temp., Load, Voltage and Aging

## MECHANICAL DIMENSIONS:

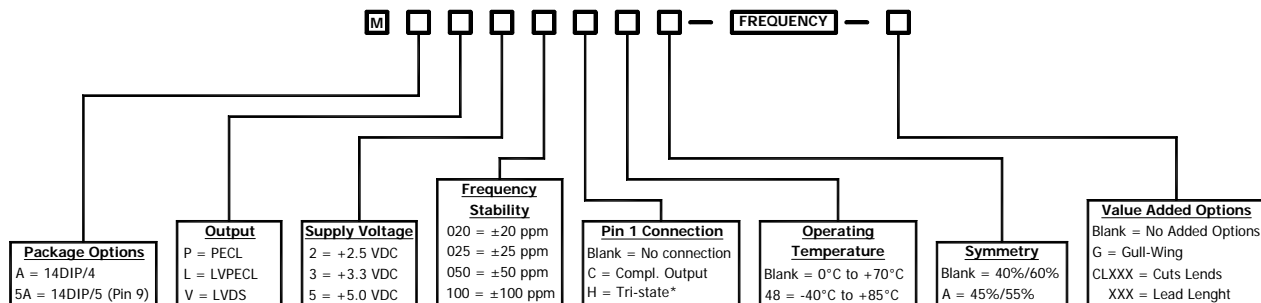


A PACKAGE OPTION	
PIN 1	NC, TRI-STATE OR COMPL. OUTPUT
PIN 7	CASE GROUND
PIN 8	OUTPUT
PIN 14	SUPPLY VOLTAGE

5A PACKAGE OPTION	
PIN 1	TRI-STATE
PIN 7	CASE GROUND
PIN 8	OUTPUT
PIN 9	COMPL. OUTPUT
PIN 14	SUPPLY VOLTAGE

## PART NUMBERING GUIDE:



Please Consult with MMD Sales Department for any other Parameters or Options  
\* Pin 1 Connection must be Tri-state when using Pin 9 option.

MMD Components, 30400 Esperanza, Rancho Santa Margarita, CA, 92688  
Phone: (949) 709-5075, Fax: (949) 709-3536, [www.mmdcomp.com](http://www.mmdcomp.com)  
Sales@mmdcomp.com

Specifications subject to change without notice Revision MAP060607H