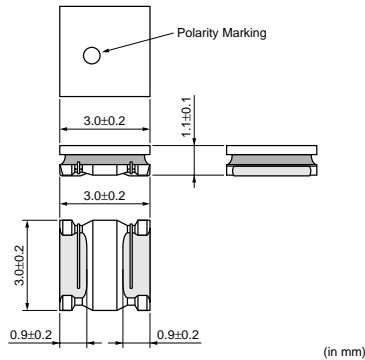


Chip Inductor (Chip Coil) Power Inductor (Wire Wound Type)

LQH3NP_J0 Series (1212 Size)

■ Dimensions



■ Packaging

Code	Packaging	Minimum Quantity
L	180mm Embossed Tape	1000
K	330mm Embossed Tape	5000

■ Rated Value (□: packaging code)

Part Number	Inductance	Inductance Test Frequency	Allowable DC Current (Based on Temperature Rise)	Allowable DC Current (Based on Inductance Change)	DC Resistance	Self Resonance Frequency (min.)	Class of Magnetic Shield
LQH3NPN1R0NJ0□	1.0μH±30%	1MHz	1620mA	1650mA	0.040ohm±20%	140MHz	Magnetic shield of magnetic powder in resin
LQH3NPN1R5NJ0□	1.5μH±30%	1MHz	1500mA	1200mA	0.055ohm±20%	90MHz	Magnetic shield of magnetic powder in resin
LQH3NPN2R2NJ0□	2.2μH±30%	1MHz	1460mA	1150mA	0.069ohm±20%	90MHz	Magnetic shield of magnetic powder in resin
LQH3NPN3R3NJ0□	3.3μH±30%	1MHz	1270mA	950mA	0.105ohm±20%	70MHz	Magnetic shield of magnetic powder in resin
LQH3NPN4R7NJ0□	4.7μH±30%	1MHz	1120mA	780mA	0.130ohm±20%	65MHz	Magnetic shield of magnetic powder in resin
LQH3NPN6R8NJ0□	6.8μH±30%	1MHz	850mA	700mA	0.210ohm±20%	45MHz	Magnetic shield of magnetic powder in resin
LQH3NPN100NJ0□	10μH±30%	1MHz	710mA	560mA	0.300ohm±20%	35MHz	Magnetic shield of magnetic powder in resin
LQH3NPN150NJ0□	15μH±30%	1MHz	590mA	440mA	0.440ohm±20%	30MHz	Magnetic shield of magnetic powder in resin
LQH3NPN220MJ0□	22μH±20%	1MHz	510mA	350mA	0.600ohm±20%	25MHz	Magnetic shield of magnetic powder in resin
LQH3NPN220NJ0□	22μH±30%	1MHz	510mA	350mA	0.600ohm±20%	25MHz	Magnetic shield of magnetic powder in resin
LQH3NPN330MJ0□	33μH±20%	1MHz	410mA	280mA	0.900ohm±20%	20MHz	Magnetic shield of magnetic powder in resin
LQH3NPN330NJ0□	33μH±30%	1MHz	410mA	280mA	0.900ohm±20%	20MHz	Magnetic shield of magnetic powder in resin
LQH3NPN470MJ0□	47μH±20%	1MHz	350mA	200mA	1.30ohm±20%	15MHz	Magnetic shield of magnetic powder in resin
LQH3NPN470NJ0□	47μH±30%	1MHz	350mA	200mA	1.30ohm±20%	15MHz	Magnetic shield of magnetic powder in resin

Operating Temperature Range: -40 to +85°C

Only for reflow soldering.

■ Notice (Allowable DC Current)

<Allowable DC Current>

When Allowable DC Current is applied to the Products, self-generation of heat will rise to 40°C or less.

When Allowable DC Current is applied to the Products, Inductance will be within +30% of nominal Inductance value.

Continued on the following page.

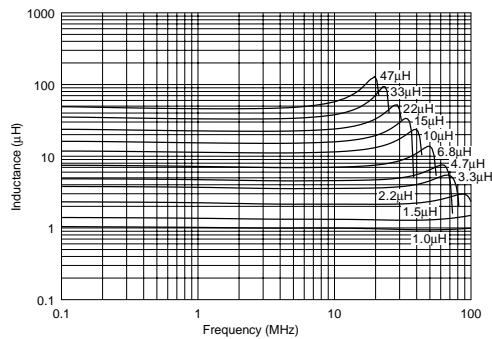
● This data sheet is applied for CHIP INDUCTORS (CHIP COILS) used for General Electronics equipment for your design.

⚠ Note:

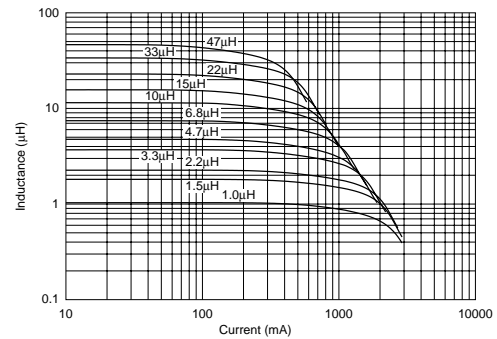
1. This datasheet is downloaded from the website of Murata Manufacturing Co., Ltd. Therefore, it's specifications are subject to change or our products in it may be discontinued without advance notice. Please check with our sales representatives or product engineers before ordering.
2. This datasheet has only typical specifications because there is no space for detailed specifications. Therefore, please approve our product specifications or transact the approval sheet for product specifications before ordering.

Continued from the preceding page.

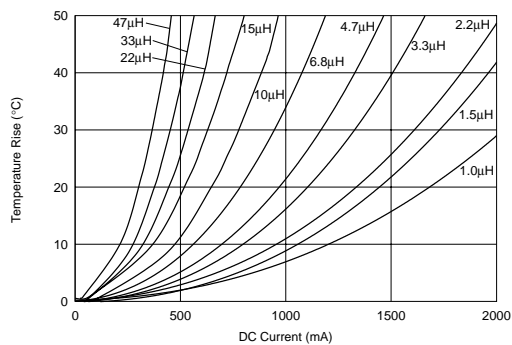
Inductance-Frequency Characteristics (Typ.)



Inductance-Current Characteristics (Typ.)



Temperature Rise Characteristics (Typ.)



⚠ Caution/Notice

⚠ Caution (Rating)

Do not use products beyond the rated current as this may create excessive heat.

Notice

Solderability of Tin plating termination chip might be deteriorated when low temperature soldering profile where peak solder temperature is below the Tin melting point is used. Please confirm the solderability of Tin plating termination chip before use.

● This data sheet is applied for CHIP INDUCTORS (CHIP COILS) used for General Electronics equipment for your design.

⚠ Note:

1. This datasheet is downloaded from the website of Murata Manufacturing co., Ltd. Therefore, it's specifications are subject to change or our products in it may be discontinued without advance notice. Please check with our sales representatives or product engineers before ordering.
2. This datasheet has only typical specifications because there is no space for detailed specifications. Therefore, please approve our product specifications or transact the approval sheet for product specifications before ordering.