



MHz RANGE CRYSTAL UNIT LOW PROFILE SMD

MA - 306

- Frequency range : 14.31818 MHz, 17.734 MHz to 41 MHz
- External dimensions : 8.0 × 3.8 × 2.54 t (mm) Max.
- Overtone order : Fundamental
- Applications : For Clock of integrated circuit



Product Number (please contact us)
Q22MA3061xxxx00



Actual size

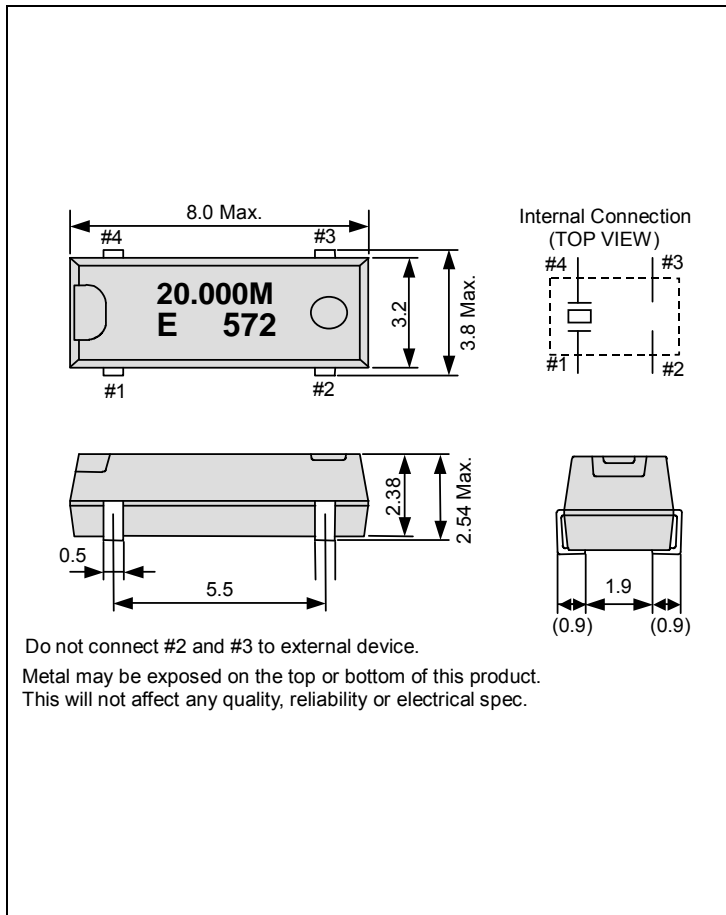


Specifications (characteristics)

Item	Symbol	Specifications	Remarks
Nominal frequency range	f_nom	14.31818 MHz, 17.734 MHz to 41.000 MHz	Fundamental
Temperature range	Storage temperature T_stg	-55 °C to +100 °C	Store as bare product after unpacking
	Operating temperature T_use	-20 °C to +70 °C	
Level of drive	DL	10 μW to 100 μW	
Frequency tolerance (standard)	f_tol	±50 × 10 ⁻⁶	+25 °C
Frequency versus temperature characteristics (standard)	f_tem	±30 × 10 ⁻⁶	-20 °C to +70 °C For the out of standard specifications, please contact us for inquiries
Load capacitance	CL	10 pF to ∞	Please specify
Motional resistance (ESR)	R ₁	60 Ω Max.	-20 °C to +70 °C, DL=100 μW
Frequency aging	f_age	±5 × 10 ⁻⁶ / year Max.	+25 °C, First year

External dimensions

(Unit:mm)



Footprint (Recommended)

(Unit:mm)

