

Snap-in Type

Series: EX Type : TS

■ Features VDE-0860 specification
Endurance : 105°C 2000 h

Japan

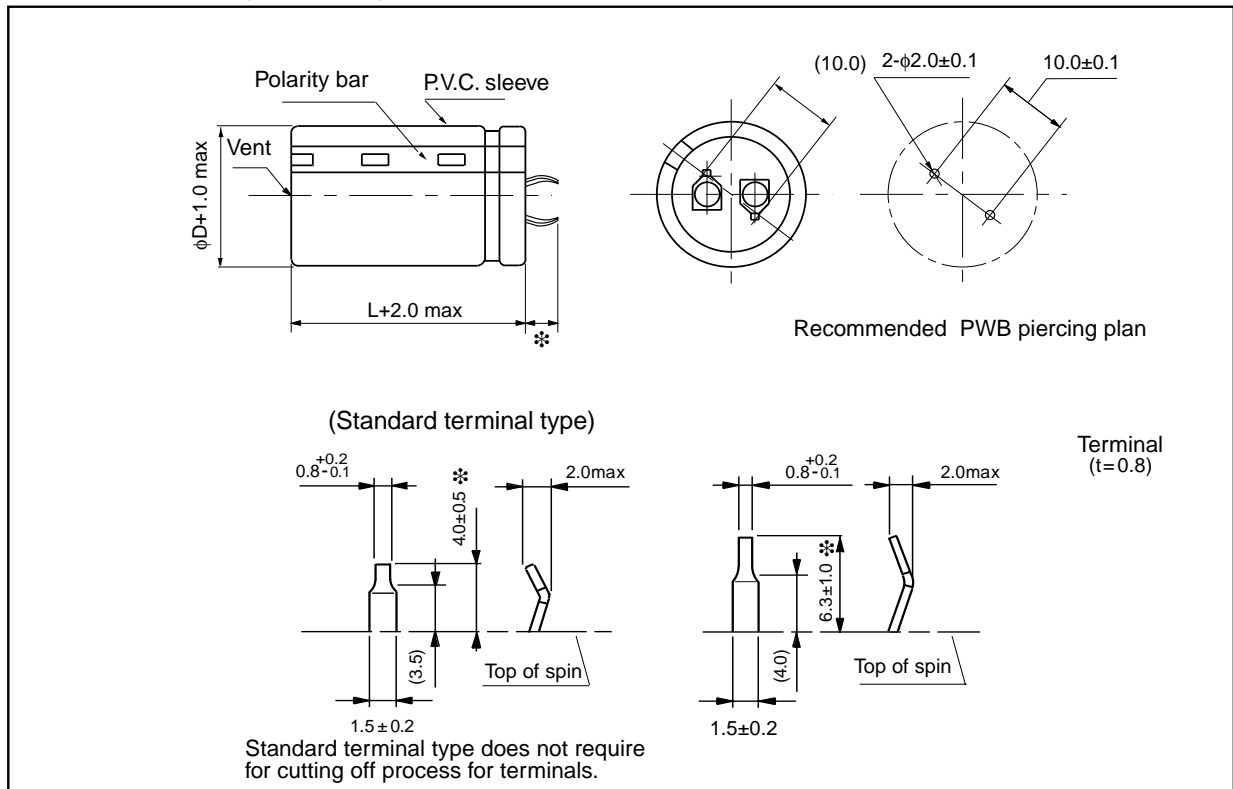


■ Recommended Applications
Smoothing circuits, AC adaptor

■ Specifications

Category temp. range	-25 to +105°C							
Rated W.V. Range	250 V .DC							
Nominal Cap. Range	100 to 1200 μ F							
Capacitance Tolerance	±20 % (120Hz/+20°C)							
DC Leakage Current	3√CV ⁻¹ (μA) max. after 5 minutes application of rated working voltage at +20°C Capacitance(μF) V: W.V. (V.DC)							
Dissipation Factor	Please see the attached standard products list							
Frequency Correction Factor for Ripple Current	Frequency (Hz)	50	60	100	120	500	1k	10k to
	Correction Factor	0.93	0.95	0.99	1.00	1.05	1.08	1.15
Over voltage characteristics	After applying 360V.DC for 7 hours at following either temperature, capacitor shall not short-circuit or vent shall not operate. Condition (A) at 70°C Condition (B) at 35°C							
Endurance	After 2000 hours application of DC voltage with specified ripple current (≤ rated DC working voltage) at +105°C, the capacitor shall meet the following limits.							
	Capacitance change	±20 % of initial measured value						
	D.F.	≤ 200 % of initial specified value						
Shelf Life	After storage for 1000 hours at +105±2 °C with no voltage applied and then being stabilized at +20 °C, capacitors shall meet the limits specified in "Endurance".(With voltage treatment)							

■ Dimensions in mm (not to scale)



Design, Specifications are subject to change without notice. Ask factory for technical specifications before purchase and/or use. Whenever a doubt about safety arises from this product, please inform us immediately for technical consultation without fail.

■ Standard Products

Condition A (70°C)

W.V. (V)	Cap. (±20%) (μF)	Case size		Specification		Part No.		Min.PackagingQ'ty (pcs)
		Dia. (mm)	Length (mm)	Ripple current (120Hz) (+105°C) (A)	D.F. (120Hz) (+20°C)	Terminal Length 6.3mm (Without P.V.C. plate)	(Standard Terminals) Terminal Length 4.0mm (Without P.V.C. plate)	
250	100	22	25	0.70	0.20	ECOS2EG101DX	ECEC2EG101DX	200
	120	22	30	0.75	0.20	ECOS2EG121EX	ECEC2EG121EX	200
	150	22	30	0.80	0.20	ECOS2EG151EX	ECEC2EG151EX	200
			25	0.80	0.20	ECOS2EG151JX	ECEC2EG151JX	200
	180	22	35	0.90	0.20	ECOS2EG181FX	ECEC2EG181FX	200
			25	0.90	0.20	ECOS2EG181KX	ECEC2EG181KX	200
	220	22	40	1.00	0.20	ECOS2EG221GX	ECEC2EG221GX	200
			25	1.00	0.20	ECOS2EG221KX	ECEC2EG221KX	200
			30	1.00	0.20	ECOS2EG221QX	ECEC2EG221QX	100
	270	22	45	1.10	0.20	ECOS2EG271GX	ECEC2EG271GX	200
			25	1.10	0.20	ECOS2EG271LX	ECEC2EG271LX	200
			30	1.10	0.20	ECOS2EG271RX	ECEC2EG271RX	100
	330	22	50	1.20	0.20	ECOS2EG331HX	ECEC2EG331HX	200
			25	1.20	0.20	ECOS2EG331MX	ECEC2EG331MX	200
			30	1.20	0.20	ECOS2EG331RX	ECEC2EG331RX	100
			35	1.20	0.20	ECOS2EG331WX	ECEC2EG331WX	100
	390	25	45	1.30	0.20	ECOS2EG391MX	ECEC2EG391MX	200
			30	1.30	0.20	ECOS2EG391SX	ECEC2EG391SX	100
			35	1.30	0.20	ECOS2EG391XX	ECEC2EG391XX	100
	470	25	50	1.40	0.20	ECOS2EG471NX	ECEC2EG471NX	200
			30	1.40	0.20	ECOS2EG471TX	ECEC2EG471TX	100
			35	1.40	0.20	ECOS2EG471XX	ECEC2EG471XX	100
	560	30	45	1.50	0.20	ECOS2EG561TX	ECEC2EG561TX	100
			35	1.50	0.20	ECOS2EG561VX	ECEC2EG561VX	100
680	30	50	1.70	0.20	ECOS2EG681UX	ECEC2EG681UX	100	
		35	1.70	0.20	ECOS2EG681YX	ECEC2EG681YX	100	
820	35	45	2.00	0.20	ECOS2EG821YX	ECEC2EG821YX	100	
1000	35	50	2.20	0.20	ECOS2EG102ZX	ECEC2EG102ZX	100	

Endurance : 105°C 2000 h

Terminal Pitch : 10mm

When capacitors of φ35x45L and φ35x50L are mounted on PWB, reinforce them with mounting clamp or adhesives.(Avoid using adhesives including halogenated compositions.)

■ Standard Products
Condition B (35°C)

W.V. (V)	Cap. (±20%) (µF)	Case size		Specification		Part No.		Min.PackagingQty (PCS)	
		Dia. (mm)	Length (mm)	Ripple current (120Hz) (+105°C) (A)	D.F. (120Hz) (+20°C)	Terminal Length 6.3mm (Without P.V.C.plate)	(Standard Terminals) Terminal Length 4.0mm (Without P.V.C.plate)		
250	120	22	25	0.75	0.20	ECOS2EG121DK	ECEC2EG121DK	200	
	150	22	30	0.80	0.20	ECOS2EG151EK	ECEC2EG151EK	200	
	180	22	30	0.90	0.20	ECOS2EG181EK	ECEC2EG181EK	200	
			25	25	0.90	0.20	ECOS2EG181JK	ECEC2EG181JK	200
	220	22	35	1.00	0.20	ECOS2EG221FK	ECEC2EG221FK	200	
			25	30	1.00	0.20	ECOS2EG221KK	ECEC2EG221KK	200
	270	22	40	1.10	0.20	ECOS2EG271GK	ECEC2EG271GK	200	
			25	30	1.10	0.20	ECOS2EG271KK	ECEC2EG271KK	200
			30	25	1.10	0.20	ECOS2EG271QK	ECEC2EG271QK	100
	330	22	45	1.20	0.20	ECOS2EG331GK	ECEC2EG331GK	200	
			25	35	1.20	0.20	ECOS2EG331LK	ECEC2EG331LK	200
			30	30	1.20	0.20	ECOS2EG331RK	ECEC2EG331RK	100
	390	22	50	1.30	0.20	ECOS2EG391HK	ECEC2EG391HK	200	
			25	40	1.30	0.20	ECOS2EG391MK	ECEC2EG391MK	200
			30	30	1.30	0.20	ECOS2EG391RK	ECEC2EG391RK	100
			35	25	1.30	0.20	ECOS2EG391WK	ECEC2EG391WK	100
	470	25	45	1.40	0.20	ECOS2EG471MK	ECEC2EG471MK	200	
			30	35	1.40	0.20	ECOS2EG471SK	ECEC2EG471SK	200
			35	30	1.40	0.20	ECOS2EG471XK	ECEC2EG471XK	200
	560	25	50	1.50	0.20	ECOS2EG561NK	ECEC2EG561NK	200	
			30	40	1.50	0.20	ECOS2EG561TK	ECEC2EG561TK	100
			35	30	1.50	0.20	ECOS2EG561XK	ECEC2EG561XK	100
	680	30	40	1.70	0.20	ECOS2EG681TK	ECEC2EG681TK	100	
			35	35	1.70	0.20	ECOS2EG681VK	ECEC2EG681VK	100
820	30	50	2.00	0.20	ECOS2EG821UK	ECEC2EG821UK	100		
		35	40	2.00	0.20	ECOS2EG821YK	ECEC2EG821YK	100	
1000	35	45	2.20	0.20	ECOS2EG102YK	ECEC2EG102YK	100		
1200	35	50	2.30	0.20	ECOS2EG122ZK	ECEC2EG122ZK	100		

Endurance : 105°C 2000 h

Terminal Pitch : 10mm

When capacitors of φ35x45L and φ35x50L are mounted on PWB, reinforce them with mounting clamp or adhesives.(Avoid using adhesives including halogenated compositions.)