

## SMD INDUCTOR DR335 SERIES

### Features

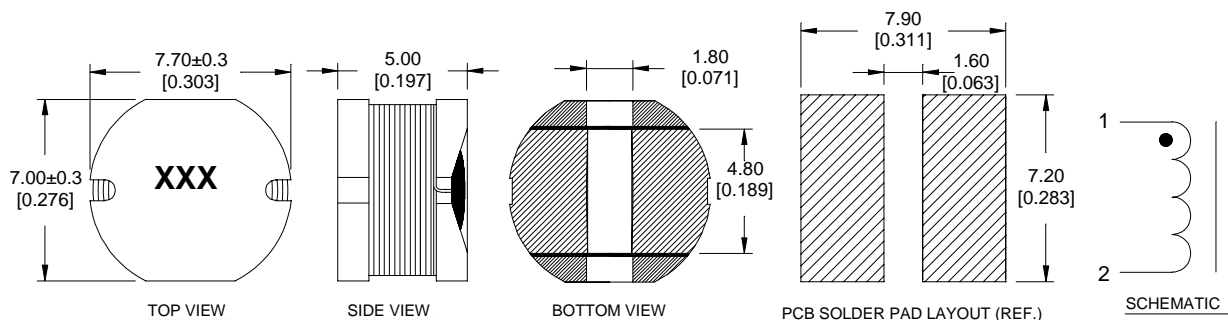
- Low Profile Surface Mount Design
- Inductance Range from 1.8  $\mu$ H to 1000 $\mu$ H
- Operating Temp. -20°C to +80°C
- Tinned Leads with Leaded Solder is Available (note 4)



### ELECTRICAL SPECIFICATIONS AT 25°C

PART No.	INDUCTANCE ( $\mu$ H)	DCR ( $\Omega$ ) Max.	RATED CURRENT (A) Max.
DR335-182	1.8 $\pm$ 20% @ 7.96MHz	0.035	3.50
DR335-272	2.7 $\pm$ 20% @ 7.96MHz	0.041	3.30
DR335-472	4.7 $\pm$ 20% @ 7.96MHz	0.048	3.00
DR335-682	6.8 $\pm$ 20% @ 7.96MHz	0.050	2.70
DR335-822	8.2 $\pm$ 20% @ 7.96MHz	0.055	2.50
DR335-103	10 $\pm$ 20% @ 2.52MHz	0.06	2.30
DR335-123	12 $\pm$ 20% @ 2.52MHz	0.07	2.00
DR335-153	15 $\pm$ 20% @ 2.52MHz	0.08	1.80
DR335-183	18 $\pm$ 20% @ 2.52MHz	0.10	1.61
DR335-223	22 $\pm$ 20% @ 2.52MHz	0.11	1.50
DR335-273	27 $\pm$ 10% @ 2.52MHz	0.13	1.30
DR335-333	33 $\pm$ 10% @ 2.52MHz	0.14	1.20
DR335-393	39 $\pm$ 10% @ 2.52MHz	0.16	1.10
DR335-473	47 $\pm$ 10% @ 2.52MHz	0.20	1.10
DR335-563	56 $\pm$ 10% @ 2.52MHz	0.24	0.94
DR335-683	68 $\pm$ 10% @ 2.52MHz	0.28	0.85
DR335-823	82 $\pm$ 10% @ 2.52MHz	0.37	0.78
DR335-104	100 $\pm$ 10% @ 1kHz	0.44	0.72
DR335-124	120 $\pm$ 10% @ 1kHz	0.47	0.66
DR335-154	150 $\pm$ 10% @ 1kHz	0.64	0.58
DR335-184	180 $\pm$ 10% @ 1kHz	0.71	0.51
DR335-224	220 $\pm$ 10% @ 1kHz	0.96	0.49
DR335-274	270 $\pm$ 10% @ 1kHz	1.11	0.42
DR335-334	330 $\pm$ 10% @ 1kHz	1.26	0.40
DR335-394	390 $\pm$ 10% @ 1kHz	1.77	0.36
DR335-474	470 $\pm$ 10% @ 1kHz	1.96	0.34
DR335-105	1000 $\pm$ 10% @ 1kHz	3.96	0.23

### MECHANICAL OUTLINES



#### NOTES:

1. All dimensions are shown in millimeters "mm" [inches "in"].
2. General tolerance  $\pm$ 0.25mm [0.010 in.], unless otherwise specified.
3. Tape and reel quantity, 1000 pcs/reel.
4. For non-RoHS parts, replace DR prefix with 42- (e.g. DR335 becomes 42-335).
5. Terminal finish is compliant to RoHS requirements. Solder in accordance with J-STD-020C.

DATATRONIC: 28151 Highway 74, Romoland, CA 92585 Tel: 951-928-7700 Toll Free Tel: 888-889-5391 Fax: 951-928-7701  
 Email: ddisales@datatronics.com

499 King's Road, Hong Kong Tel: (852) 2562 3858, (852) 2564 8477 Fax: (852) 2565 7214, (852) 2563 1290  
 All specifications are subject to change without notice.