

**PLEASE CHECK WWW.MOLEX.COM FOR LATEST PART INFORMATION**

**Part Number:** [0950435891](#)  
**Status:** **Active**  
**Overview:** [modular\\_plugs\\_jacks](#)  
**Description:** Modular Plug, Short Body, Shielded, 8/8, Black Boot, Cat5 for 6.00mm (.236") Cable Outside Diameter

**Documents:**

[3D Model](#) [Product Specification PS-95043 \(PDF\)](#)  
[Drawing \(PDF\)](#) [RoHS Certificate of Compliance \(PDF\)](#)

**Agency Certification**

CSA LR19980  
 UL E107635

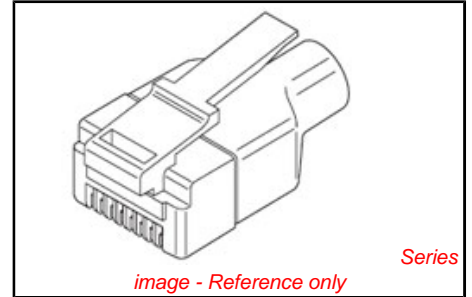
**General**

Product Family Modular Jacks/Plugs  
 Series [95043](#)  
 Comments Colored Boot|Cable to Plug Tensile Strength: 98.0N (22 lb)  
 Component Type Wire Plug  
 Magnetic No  
 Overview [modular\\_plugs\\_jacks](#)  
 Performance Category 5  
 Power over Ethernet (PoE) N/A  
 Product Name RJ45

**Physical**

Boot Color BLACK  
 Color - Resin Clear  
 Durability (mating cycles max) 750  
 Flammability 94V-2  
 Inverted / Top Latch N/A  
 Lightpipes/LEDs None  
 Material - Metal Copper Alloy, Phosphor Bronze  
 Material - Plating Mating Gold  
 Material - Plating Termination Tin  
 Material - Resin Polycarbonate  
 Orientation N/A  
 PCB Locator No  
 PCB Retention None  
 Packaging Type Bag  
 Pitch - Mating Interface (in) 0.040 In  
 Pitch - Mating Interface (mm) 1.02 mm  
 Plating min: Mating (µin) 12  
 Plating min: Mating (µm) 0.3  
 Plating min: Termination (µin) 50.8  
 Plating min: Termination (µm) 1.27  
 Ports 1  
 Positions / Loaded Contacts 8/8  
 Surface Mount Compatible (SMC) N/A  
 Temperature Range - Operating -40°C to +60°C  
 Termination Interface: Style IDT or Pierce  
 Waterproof / Dustproof No  
 Wire/Cable Type Round

**Electrical**



**EU RoHS**  
**ELV and RoHS**  
**Compliant**  
**REACH SVHC**  
 Not Reviewed  
**Halogen-Free**  
**Status**  
**Not Reviewed**

**China RoHS**



**Need more information on product environmental compliance?**

Email [productcompliance@molex.com](mailto:productcompliance@molex.com)  
 For a multiple part number RoHS Certificate of Compliance, [click here](#)

Please visit the [Contact Us](#) section for any non-product compliance questions.

**Search Parts in this Series**  
[95043Series](#)

**Mates With**  
 FCC 68 Jacks

**Application Tooling | FAQ**

*Tooling specifications and manuals are found by selecting the products below. Crimp Height Specifications are then contained in the Application Tooling Specification document.*

**Global**

Description	Product #
Termination Machine, Modular Plug	<a href="#">0623001400</a>
Parallel Action Handtool for 95043 Shielded Plug, FCC 68, 8/8 Circuit, Short Body	<a href="#">0690081104</a>

Current - Maximum per Contact	1.5A
Grounding to Panel	N/A
Shielded	Yes
Voltage - Maximum	125V AC (RMS)/DC

#### **Material Info**

#### **Reference - Drawing Numbers**

Application Specification	AS-95043
Packaging Specification	PK-95043
Product Specification	PS-95043
Sales Drawing	SDA-95043

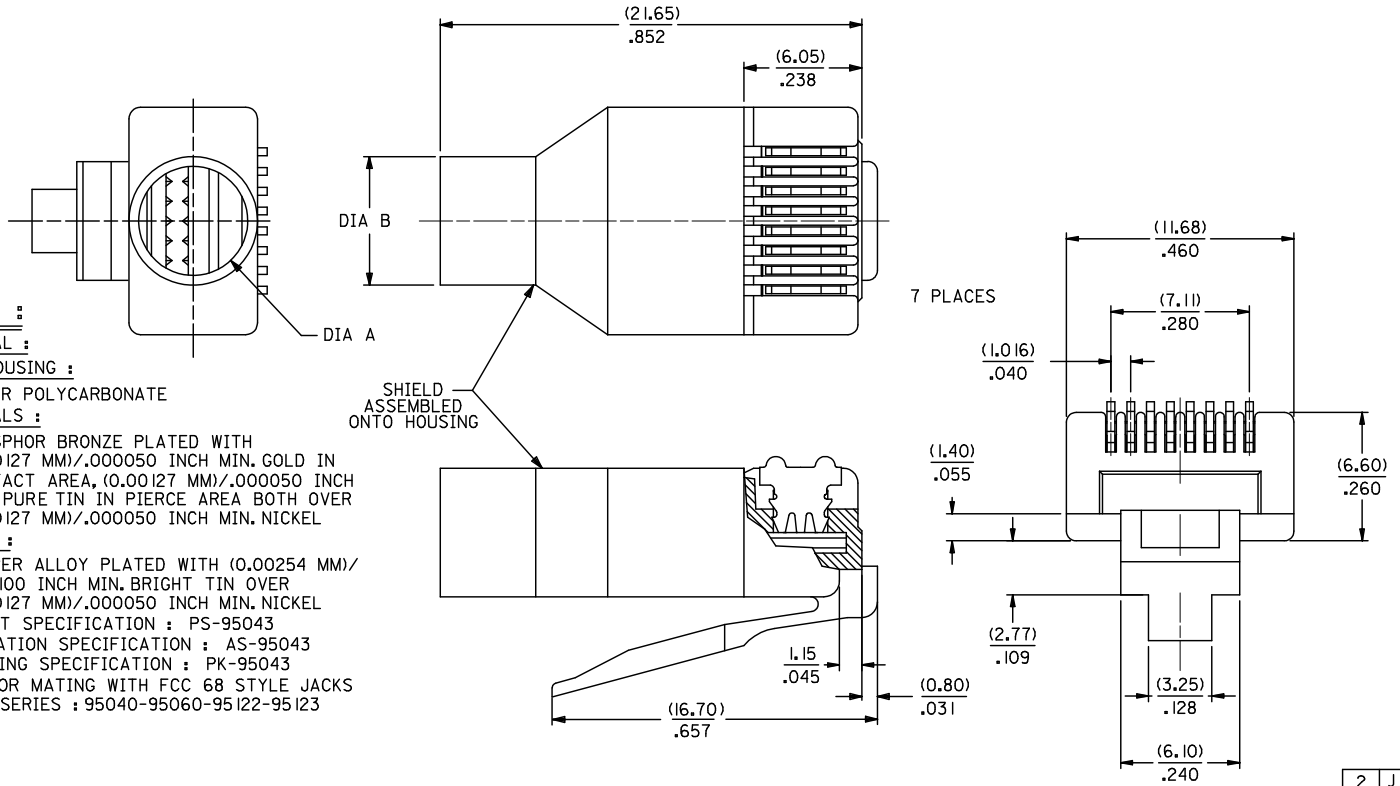
This document was generated on 06/07/2010

**PLEASE CHECK [WWW.MOLEX.COM](http://WWW.MOLEX.COM) FOR LATEST PART INFORMATION**

10 9 8 7 6 5 4 3 2 1

**NOTES :**

- 1- MATERIAL :  
 PLUG HOUSING : CLEAR POLYCARBONATE  
 TERMINALS : PHOSPHOR BRONZE PLATED WITH (0.00127 MM)/.000050 INCH MIN. GOLD IN CONTACT AREA, (0.00127 MM)/.000050 INCH MIN. PURE TIN IN PIERCE AREA BOTH OVER (0.00127 MM)/.000050 INCH MIN. NICKEL  
 SHIELD : COPPER ALLOY PLATED WITH (0.00254 MM)/.000100 INCH MIN. BRIGHT TIN OVER (0.00127 MM)/.000050 INCH MIN. NICKEL
- 2- PRODUCT SPECIFICATION : PS-95043
- 3- APPLICATION SPECIFICATION : AS-95043
- 4- PACKAGING SPECIFICATION : PK-95043
- 5- PLUG FOR MATING WITH FCC 68 STYLE JACKS  
 MOLEX SERIES : 95040-95060-95122-95123



2	J
1	K

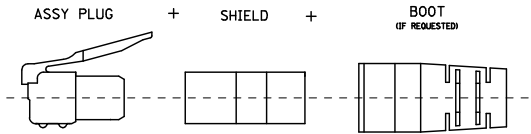
SEE SHEET 2 EC NO: E2009-0512 DRWNG: CARTON CHKD: 2009/04/17 APPR: WALLACE 2009/04/17	DESCRIPTION REV	QUALITY SYMBOLS	GENERAL TOLERANCES (UNLESS SPECIFIED) <table border="1"> <tr> <th></th> <th>mm</th> <th>INCH</th> </tr> <tr> <td>4 PLACES</td> <td>± .010</td> <td>± .0004</td> </tr> <tr> <td>3 PLACES</td> <td>± .012</td> <td>± .0005</td> </tr> <tr> <td>2 PLACES</td> <td>± .015</td> <td>± .0006</td> </tr> <tr> <td>1 PLACE</td> <td>± .020</td> <td>± .0008</td> </tr> <tr> <td colspan="3">ANGULAR ± 2 °</td> </tr> </table>		mm	INCH	4 PLACES	± .010	± .0004	3 PLACES	± .012	± .0005	2 PLACES	± .015	± .0006	1 PLACE	± .020	± .0008	ANGULAR ± 2 °			DIMENSION STYLE MM/IN	SCALE 1:1	DESIGN UNITS METRIC	THIRD ANGLE PROJECTION
				mm	INCH																				
		4 PLACES		± .010	± .0004																				
		3 PLACES		± .012	± .0005																				
2 PLACES	± .015	± .0006																							
1 PLACE	± .020	± .0008																							
ANGULAR ± 2 °																									
▽=0	DRAWN BY CB	DATE	TITLE SHIELDED MODULAR PLUG 8 POSITION FOR ROUND CABLE	MOLEX INCORPORATED																					
▽=0	CHECKED BY TB	DATE	APPROVED BY FB	MATERIAL NO. SEE SHEET 2	DOCUMENT NO. SDA-95043	SHEET NO. 1 OF 2																			
	DRAFT WHERE APPLICABLE MUST REMAIN WITHIN DIMENSIONS			THIS DRAWING CONTAINS INFORMATION THAT IS PROPRIETARY TO MOLEX INCORPORATED AND SHOULD NOT BE USED WITHOUT WRITTEN PERMISSION																					

9 8 7 6 5 4 3 2 1

10 | 9 | 8 | 7 | 6 | 5 | 4 | 3 | 2 | 1

ASSEMBLY PART NUMBER	TOOLED	CABLE DIAMETER	BOOT		DIM A	DIM B	'MG' MARK	PARTS/ UNIT	PACKAGING VERSION	
			COLOR	RAL NBR						
95043-1881	YES	(5.10-5.60)/.200-.220	NO	N/A	N/A	(5.60)/.220	(6.60)/.260	NO	1	A
95043-2881	YES	↑	NO	N/A	N/A	↑	↑	YES	1	A
95043-2891	YES	↑	YES	BLACK	9005	↑	↑	YES	1	A
95043-2892	YES	↑	YES	GREY	7012	↑	↑	YES	1	A
95043-2893	YES	↑	YES	GREEN	6016	↑	↑	YES	1	A
95043-2894	YES	↑	YES	RED	3000	↑	↑	YES	1	A
95043-2895	YES	↑	YES	YELLOW	1021	↑	↑	YES	1	A
95043-2896	YES	↑	YES	BLUE	5015	↑	↑	YES	1	A
95043-3891	YES	↓	YES	BLACK	9005	↓	↓	YES	1000	A
95043-6891	YES	(5.10-5.60)/.200-.220	YES	BLACK	9005	(5.60)/.220	(6.60)/.260	YES	5	B
95043-4881	YES	(5.60-6.20)/.220-.244	NO	N/A	N/A	(6.20)/.244	(7.20)/.283	NO	1	A
95043-5881	YES	↑	NO	N/A	N/A	↑	↑	YES	1	A
95043-5891	YES	↑	YES	BLACK	9005	↑	↑	YES	1	A
95043-5892	YES	↑	YES	GREY	7012	↑	↑	YES	1	A
95043-5893	YES	↑	YES	GREEN	6016	↑	↑	YES	1	A
95043-5894	YES	↑	YES	RED	3000	↑	↑	YES	1	A
95043-5895	YES	↑	YES	YELLOW	1021	↑	↑	YES	1	A
95043-5896	YES	↓	YES	BLUE	5015	↓	↓	YES	1	A
95043-5897	YES	(5.60-6.20)/.220-.244	YES	BLACK	9005	(6.20)/.244	(7.20)/.283	YES	1	C

### SHIELDED PLUG COMPOSITION



<b>ADDED OPTION</b> EIC NO: E22009-0512 DRWNG: CARTON CHYCD: 2009/04/17 APPR: WALLACE 2009/04/17 DESCRIPTION REV	QUALITY SYMBOLS ▽=0 ▽=0	GENERAL TOLERANCES (UNLESS SPECIFIED) <table border="1"> <tr> <td></td> <td>mm</td> <td>INCH</td> </tr> <tr> <td>4 PLACES</td> <td>± .010</td> <td>± .0004</td> </tr> <tr> <td>3 PLACES</td> <td>± .015</td> <td>± .0006</td> </tr> <tr> <td>2 PLACES</td> <td>± .025</td> <td>± .0010</td> </tr> <tr> <td>1 PLACE</td> <td>± .035</td> <td>± .0014</td> </tr> <tr> <td colspan="3">ANGULAR ± 2 °</td> </tr> </table>		mm	INCH	4 PLACES	± .010	± .0004	3 PLACES	± .015	± .0006	2 PLACES	± .025	± .0010	1 PLACE	± .035	± .0014	ANGULAR ± 2 °			DIMENSION STYLE MM/IN DRAWN BY: CB DATE: CHECKED BY: TB DATE: APPROVED BY: FB DATE:	SCALE 1:1 DESIGN UNITS METRIC THIRD ANGLE PROJECTION	TITLE SHIELDED MODULAR PLUG 8 POSITION FOR ROUND CABLE MOLEX INCORPORATED
		mm	INCH																				
	4 PLACES	± .010	± .0004																				
	3 PLACES	± .015	± .0006																				
2 PLACES	± .025	± .0010																					
1 PLACE	± .035	± .0014																					
ANGULAR ± 2 °																							
DRAFT WHERE APPLICABLE MUST REMAIN WITHIN DIMENSIONS	MATERIAL NO. SEE CHART	DOCUMENT NO. SDA-95043	SHEET NO. 2 OF 2																				
SIZE A3 THIS DRAWING CONTAINS INFORMATION THAT IS PROPRIETARY TO MOLEX INCORPORATED AND SHOULD NOT BE USED WITHOUT WRITTEN PERMISSION																							

ib\_frame\_A3\_P\_ME\_T  
Rev. D 2004/04/02