

PLEASE CHECK WWW.MOLEX.COM FOR LATEST PART INFORMATION

Part Number: [0905711501](#)
Status: **Active**
Description: 2.54mm (.100") Pitch QF-50™ Header, Vertical, Dual Row, Shrouded, DIN Keying, with Latch/Eject Levers, 50 Circuits, 0.1 µm Gold (Au)

Documents:

[3D Model](#) [RoHS Certificate of Compliance \(PDF\)](#)
[Drawing \(PDF\)](#)

Agency Certification

CSA LR19980
 UL E29179

General

Product Family Ribbon Cable / Wire Trap Connectors
 Series [90571](#)
 Comments Eject Levers
 Component Type PCB Header
 Glow-Wire Compliant No
 Product Name QF-50™

Physical

Circuits (Loaded) 50
 Circuits (maximum) 50
 Color - Resin Black
 Durability (mating cycles max) 50
 Entry Angle Vertical
 Flammability 94V-0
 Lock to Mating Part None
 Material - Metal Brass
 Material - Plating Mating Gold
 Material - Plating Termination Tin
 Material - Resin Polyester
 Number of Rows 2
 PCB Locator No
 PCB Retention None
 PCB Thickness Recommended (in) 0.062 In
 PCB Thickness Recommended (mm) 1.60 mm
 Packaging Type Tray
 Pitch - Mating Interface (in) 0.100 In
 Pitch - Mating Interface (mm) 2.54 mm
 Pitch - Term. Interface (in) 0.100 In
 Pitch - Term. Interface (mm) 2.54 mm
 Plating min: Mating (µin) 4
 Plating min: Mating (µm) 0.1
 Plating min: Termination (µin) 120
 Plating min: Termination (µm) 3
 Polarized to Mating Part Yes
 Polarized to PCB No
 Shrouded Yes
 Stackable Yes
 Surface Mount Compatible (SMC) No
 Temperature Range - Operating -25°C to +85°C
 Termination Interface: Style Through Hole
 Wire Insulation Diameter N/A
 Wire Size AWG N/A

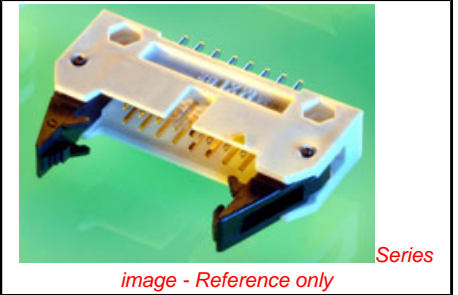


image - Reference only

EU RoHS
ELV and RoHS
Compliant
REACH SVHC
 Not Reviewed
Halogen-Free
Status
Not Reviewed

China RoHS



Need more information on product environmental compliance?

Email productcompliance@molex.com
 For a multiple part number RoHS Certificate of Compliance, [click here](#)

Please visit the [Contact Us](#) section for any non-product compliance questions.

Search Parts in this Series
[90571Series](#)

Mates With
[90635 QF-50™ Female Housing](#)

Wire/Cable Type

Ribbon Cable

Electrical

Current - Maximum per Contact

1A

Voltage - Maximum

250V

Solder Process Data

Lead-free Process Capability

Wave Capable (TH only)

Material Info

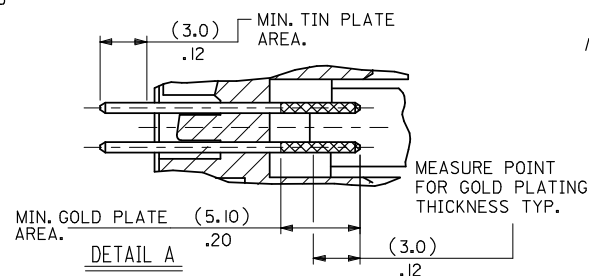
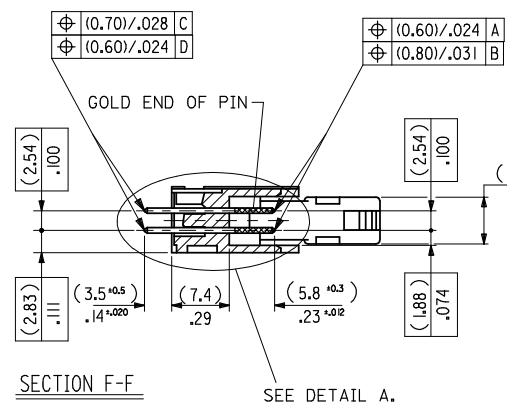
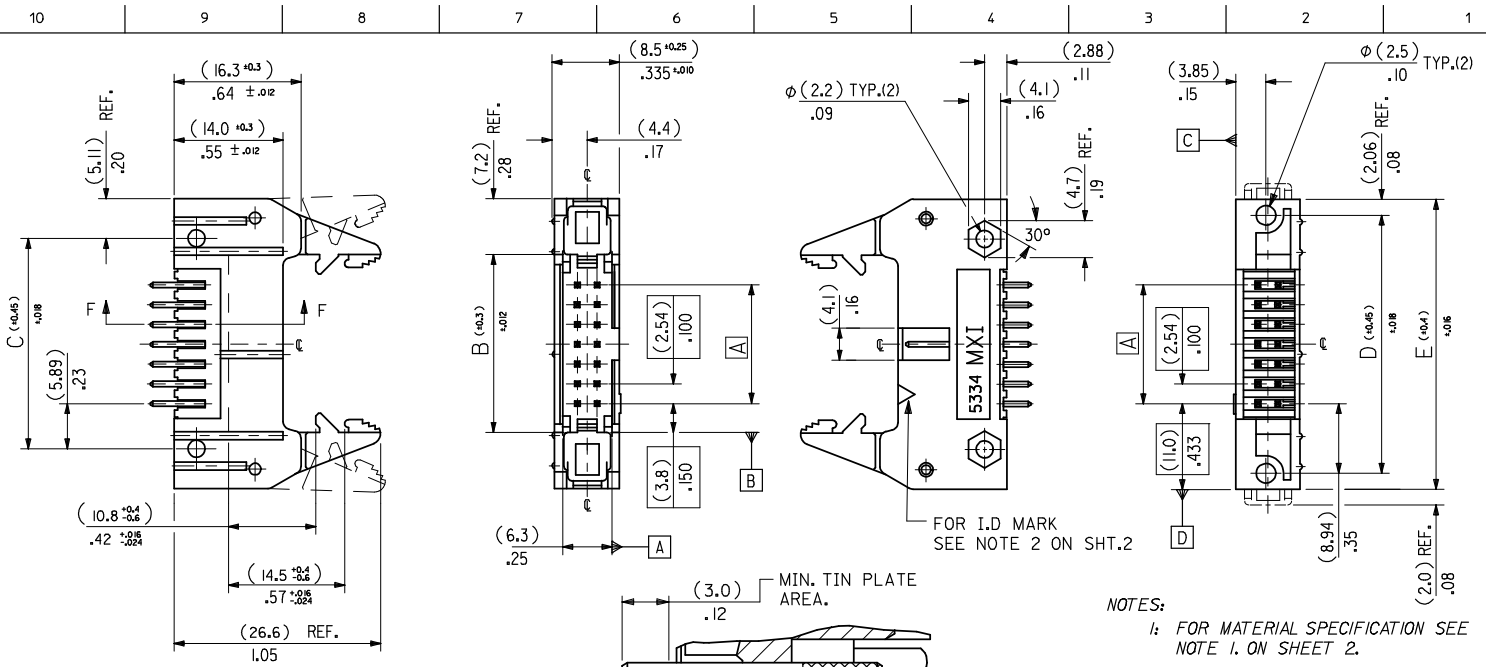
Reference - Drawing Numbers

Sales Drawing

SDA-90571

This document was generated on 06/08/2010

PLEASE CHECK WWW.MOLEX.COM FOR LATEST PART INFORMATION



DIMENSIONS FOR SELECTIVE PLATING'S, SCALE 4:1

- NOTES:
- 1: FOR MATERIAL SPECIFICATION SEE NOTE 1. ON SHEET 2.
 - 2: FOR RECOMMENDED P.C.B.HOLE PATTERN, PART No's AND UNSTATED DIMENSIONS SEE SHEET 2.
 - 3: PRODUCT SPEC. No. :PS 99020-0015

CHANGED GEN TOL. EC NO: E22008-0461 DRAWN BY: K. ERMAN CHECKED BY: 2008/03/06 APPR: BMACQUIRE DESCRIPTION: 2008/03/06 REV:	QUALITY SYMBOLS ▽ = ▽ =	GENERAL TOLERANCES (UNLESS SPECIFIED) <table border="1"> <thead> <tr> <th></th> <th>mm</th> <th>INCH</th> </tr> </thead> <tbody> <tr> <td>4 PLACES</td> <td>± .15</td> <td>± .005</td> </tr> <tr> <td>3 PLACES</td> <td>± .10</td> <td>± .003</td> </tr> <tr> <td>2 PLACES</td> <td>± 0.15</td> <td>± .005</td> </tr> <tr> <td>1 PLACE</td> <td>± 0.02</td> <td>± .008</td> </tr> <tr> <td colspan="3">ANGULAR ±1/2°</td> </tr> </tbody> </table>		mm	INCH	4 PLACES	± .15	± .005	3 PLACES	± .10	± .003	2 PLACES	± 0.15	± .005	1 PLACE	± 0.02	± .008	ANGULAR ±1/2°			DIMENSION STYLE IN/MM DRAWN BY: SM DATE: 3 / 8 / 90 CHECKED BY: X DATE: APPROVED BY: X DATE: MATERIAL NO.	SCALE: 2:1 DESIGN UNITS: INCH THIRD ANGLE PROJECTION	TITLE: QIK FLECS WIPE FEMALE MOLEX INCORPORATED DOCUMENT NO. SDA-90571 SHEET NO. 1 OF 4
		mm	INCH																				
	4 PLACES	± .15	± .005																				
	3 PLACES	± .10	± .003																				
2 PLACES	± 0.15	± .005																					
1 PLACE	± 0.02	± .008																					
ANGULAR ±1/2°																							
DRAFT WHERE APPLICABLE MUST REMAIN WITHIN DIMENSIONS		THIS DRAWING CONTAINS INFORMATION THAT IS PROPRIETARY TO MOLEX INCORPORATED AND SHOULD NOT BE USED WITHOUT WRITTEN PERMISSION																					
SIZE: A3																							

10 | 9 | 8 | 7 | 6 | 5 | 4 | 3 | 2 | 1

(78.74)/3.100	(86.34)/3.400	(90.52)/3.564	(96.62)/3.804	(100.74)/3.966	90571-1641	90571-1642	90571-1643		64
(73.66)/2.900	(81.26)/3.200	(85.44)/3.364	(91.54)/3.604	(95.66)/3.766	↑ -1601	↑ -1602	↑ -1603		60
(60.96)/2.400	(68.56)/2.700	(72.74)/2.864	(78.84)/3.104	(82.96)/3.266	-1501	-1502	-1503	90571-1509	50
(48.26)/1.900	(55.86)/2.200	(60.04)/2.364	(66.14)/2.604	(70.26)/2.766	-1401	-1402	-1403	↑ -1409	40
(40.64)/1.600	(48.24)/1.900	(52.42)/2.064	(58.52)/1.304	(62.64)/2.466	-1341	-1342	-1343	-1349	34
(35.56)/1.400	(43.16)/1.700	(47.34)/1.864	(53.44)/2.104	(57.56)/2.266	-1301	-1302	-1303	-1309	30
(30.48)/1.200	(38.08)/1.500	(42.26)/1.664	(48.36)/1.904	(52.48)/2.066	-1261	-1262	-1263	-1269	26
(22.86)/.900	(30.46)/1.200	(34.64)/1.364	(40.74)/1.604	(44.86)/1.766	-1201	-1202	-1203	-1209	20
(17.78)/.700	(25.38)/1.000	(29.56)/1.164	(35.66)/1.404	(39.78)/1.566	-1161	-1162	-1163	-1169	16
(15.24)/.600	(22.84)/.900	(27.02)/1.064	(33.12)/1.304	(37.24)/1.466	↓ -1141	↓ -1142	↓ -1143	↓ -1149	14
(10.16)/.400	(17.76)/.700	(21.94)/.864	(28.04)/1.104	(32.16)/1.266	90571-1101	90571-1102	90571-1103	90571-1109	10
A	B	C	D	E	ENG. NO. GSI PLATING	ENG. NO. GS2 PLATING	ENG. NO. GS3 PLATING	ENG. NO. PRE TIN	NO. OF CKTS.

NOTES

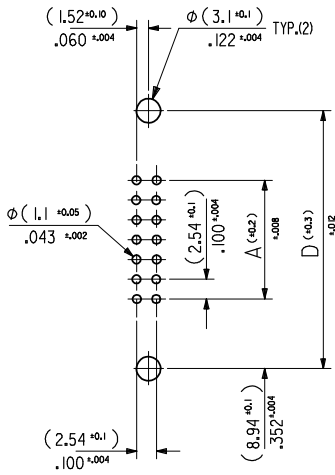
1. MATERIAL

HEADER : GLASS FILLED POLYESTER (UL 94V0), COLOUR - BLACK.
 PINS : BRASS SIZE \square (0.635)/.025 .
 LEVER : GLASS FILLED POLYESTER (UL 94V0), COLOUR - BLACK.

2. COLOUR IDENTIFICATION MARK FOR PLATING OPTIONS.

- 90571-1**1, (1um)/39uin MIN. NICKEL UNDERPLATE. CONTACT AREA GSI PLATING (0.1um)/4uin MIN. GOLD. SOLDER AREA (3um)/118uin MIN. TIN. COLOUR MARK: YELLOW.
- 90571-1**2, (1um)/39uin MIN. NICKEL UNDERPLATE. CONTACT AREA GS2 PLATING (0.76um)/30uin MIN. GOLD. SOLDER AREA (3um)/118uin MIN. TIN. COLOUR MARK: BROWN.
- 90571-1**3, (1um)/39uin MIN. NICKEL UNDERPLATE. CONTACT AREA GS3 PLATING (0.25um)/10uin MIN. GOLD. SOLDER AREA (3um)/118uin MIN. TIN. COLOUR MARK: BLUE.
- 90571-1**9, (0.5-1um)/20-40uin NICKEL UNDER (1.0-3.0um)/39-118uin TIN. PRE-TIN COLOUR MARK: BLACK, (NO MARK).

3. RECOMMENDED PCB THICKNESS 1.6mm



CHANGED GEN TOL. EC NO: E2008-0461 DRAWN BY: K. IERMAN CHKD: 2008/03/06 APPR: BMAGUIRE 2008/03/06	QUALITY SYMBOLS ▽ = ▽ =	GENERAL TOLERANCES (UNLESS SPECIFIED)		DIMENSION STYLE IN/MM		SCALE 2:1	DESIGN UNITS INCH	THIRD ANGLE PROJECTION		
		4 PLACES ± --- ±	3 PLACES ± ±	DRAWN BY SM SM	DATE 3 / 8 / 00	TITLE QIK FLECS HEADER WITH DIN EJECT LEVERS FOR IMPROVED WIPE FEMALE				
		2 PLACES ± 0.15 ± .005	1 PLACE ± 0.20 ± .008	CHECKED BY X	DATE	MOLEX INCORPORATED				
		ANGULAR ± 1/2°		APPROVED BY X	DATE	MATERIAL NO. SEE CHART	DOCUMENT NO. SDA-90571	SHEET NO. 2 OF 4		
DRAFT WHERE APPLICABLE MUST REMAIN WITHIN DIMENSIONS		THIS DRAWING CONTAINS INFORMATION THAT IS PROPRIETARY TO MOLEX INCORPORATED AND SHOULD NOT BE USED WITHOUT WRITTEN PERMISSION								

9 | 8 | 7 | 6 | 5 | 4 | 3 | 2 | 1