

PLEASE CHECK WWW.MOLEX.COM FOR LATEST PART INFORMATION

Part Number: **0850010012**
Status: **Active**
Overview: IEC 603-2 / DIN 41612
Description: 2.54mm (.100") Pitch DIN 41612 Header, Style B/2, Right Angle, Through Hole, 0.6µm (24µ") Selective Gold (Au), 32 Circuits

Documents:

3D Model	Product Specification PS-85003-0001 (PDF)
Drawing (PDF)	RoHS Certificate of Compliance (PDF)

Agency Certification

CSA	LR19980
UL	E29179

General

Product Family	Backplane Connectors
Series	85001
Application	Daughtercard
Component Type	PCB Header
Overview	IEC 603-2 / DIN 41612
Product Name	IEC 603-2/DIN 41612
Style	B/2

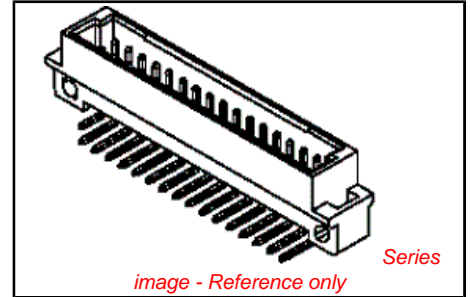
Physical

Circuits (Loaded)	32
Circuits (maximum)	32
Circuits Detail	Contact Positions at: A:a1-a16; B:b1-b16
Durability (mating cycles max)	400
First Mate / Last Break	No
Flammability	94V-0
Guide to Mating Part	No
Keying to Mating Part	Yes
Number of Columns	16
Number of Pairs	Open Pin Field
Number of Rows	2
Orientation	Right Angle
PC Tail Length (in)	0.118 In
PC Tail Length (mm)	3.00 mm
PCB Locator	No
PCB Retention	Yes
PCB Thickness Recommended (in)	0.062 In
PCB Thickness Recommended (mm)	1.60 mm
Packaging Type	Bag
Pitch - Mating Interface (in)	0.100 In
Pitch - Mating Interface (mm)	2.54 mm
Pitch - Term. Interface (in)	0.100 In
Pitch - Term. Interface (mm)	2.54 mm
Temperature Range - Operating	-55°C to +125°C
Termination Interface: Style	Through Hole

Electrical

Current - Maximum per Contact	1.5A
Data Rate	622.0 Mbps
Voltage - Maximum	250V AC (RMS)

Material Info



EU RoHS
ELV and RoHS
Compliant
REACH SVHC
 Not Reviewed
Halogen-Free
Status
Not Reviewed

China RoHS



Need more information on product environmental compliance?

Email productcompliance@molex.com
 For a multiple part number RoHS Certificate of Compliance, [click here](#)

Please visit the [Contact Us](#) section for any non-product compliance questions.

Search Parts in this Series
[85001Series](#)

Mates With
[DIN 41612 Receptacle 85040](#) , [85050](#)

Reference - Drawing Numbers

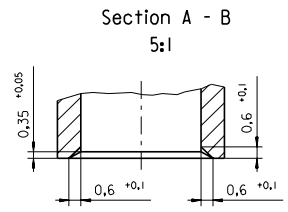
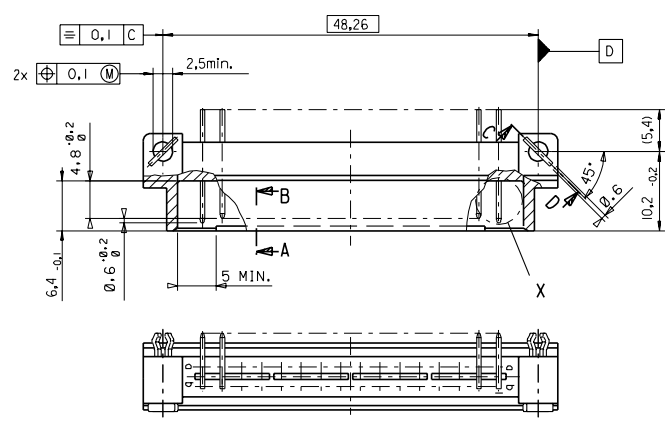
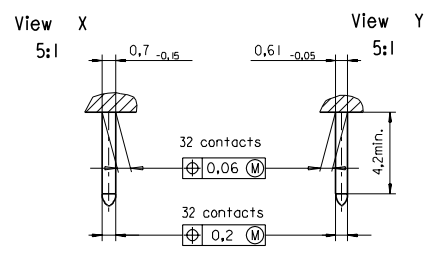
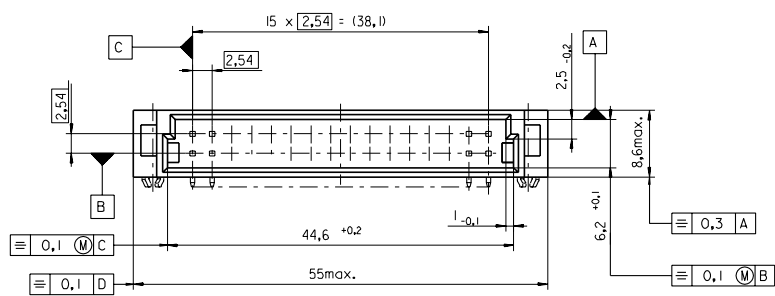
Product Specification
Sales Drawing

PS-85003-0001
SDA-85001-0002, SDA-85001-0012

This document was generated on 03/09/2010

PLEASE CHECK WWW.MOLEX.COM FOR LATEST PART INFORMATION

PART NO.
DMC NO.



FIRST ANGLE PROJECTION		REVISE ONLY ON CAD SYSTEM		SH. REV.
UNLESS OTHERWISE SPECIFIED TOLERANCES: ANGULAR ±2°		DRWG BY	SIGN	CAD/CAM PROJECT NAME
INCH METRIC		Ca		85001000
3 PLACE ±		CHK'D BY	SIGN	621
2 PLACE ±		KN		THIS DRAWING CONTAINS INFORMATION THAT IS PROPRIETARY TO MOLEX INC. & SHOULD NOT BE USED WITHOUT WRITTEN PERMISSION
1 PLACE ±		APP'D BY	SIGN	TITLE
DRAFT WHERE APPLICABLE MUST REMAIN WITHIN DIMENSIONS				32 pos. Male connector acc. DIN 41612 style B/2 Dimensions
DESIGN DIMENSION <input checked="" type="checkbox"/> MM <input type="checkbox"/> IN.		SCALE		MOLEX EUROPE
EQUIVALENT DIMENSION <input type="checkbox"/> MM <input type="checkbox"/> IN.		2:1		SHEET NO. DATE
IF TWO DIMENSIONS ARE SHOWN THE UPPER IS THE DESIGN DIMENSION LOWER IS SECONDARY				1 OF 95/06/06
first release see ECN No. 1887	LTR			PART NO.
				DWG NO.
				SDA-85001-0002
				SIZE
				B

7132-1283

VIEW ON MATING SIDE

∞	B	B	B	B	B	B	B	B	B	B	B	B	B	B	B	B	B	B	B
<	A	A	A	A	A	A	A	A	A	A	A	A	A	A	A	A	A	A	A

A = 16 STANDARD CONTACTS L-3
 B = 16 STANDARD CONTACTS L-3
 S = 32 TOTAL NUMBER OF CONTACTS

Marking	Standard
Performance level	G2/0 = Contact area level2 / Termination fin
Flux proof	no
Fixing clip	no
Dimensions	SDA-85001-0002 sht.1
Technical Data	PS-85003-0001

B	G2/0	b1-16
A	G2/0	a1-16
Contact symbol	Perform. level	Contact position number

REVISIONS		FOR PREVIOUS REVISIONS SEE MRI LIST	
see ECN No. 2204	96/07/18 Cd		
LTR	SCALE	DRWG BY	DRWG SIGN
<input type="checkbox"/> MM <input type="checkbox"/> IN.	<input type="checkbox"/> MM <input type="checkbox"/> IN.	Ca	Ca
<input type="checkbox"/> MM <input type="checkbox"/> IN.	<input type="checkbox"/> MM <input type="checkbox"/> IN.	CHK'D BY	CHK'D BY
<input type="checkbox"/> MM <input type="checkbox"/> IN.	<input type="checkbox"/> MM <input type="checkbox"/> IN.	KN	KN
<input type="checkbox"/> MM <input type="checkbox"/> IN.	<input type="checkbox"/> MM <input type="checkbox"/> IN.	APPD BY	APPD BY
UNLESS OTHERWISE SPECIFIED TOLERANCES: ANGULAR ± 2°		SIGN	
3 PLACE ± . 2 PLACE ± . 1 PLACE ± .		INCH METRIC ± ± ±	
DRAGT. WHERE APPLICABLE MUST REMAIN WITHIN DIMENSIONS DESIGN DIMENSION <input type="checkbox"/> MM <input type="checkbox"/> IN. EQUIVALENT DIMENSION <input type="checkbox"/> MM <input type="checkbox"/> IN.			
IF TWO DIMENSIONS ARE SHOWN THE UPPER IS THE DESIGN DIMENSION, LOWER IS SECONDARY			
REVISE ONLY ON CAD SYSTEM		SH.	REV.
CAD/CAM PROJECT NAME s8500100 s11		THIS DRAWING CONTAINS INFORMATION THAT IS PROPRIETARY TO MOLEX INC. & SHOULD NOT BE USED WITHOUT WRITTEN PERMISSION	
TITLE		SHEET NO.	DATE
32 pos. Male connector acc. DIN 41612 style B/2 contacts arrangement		1 OF 1	95/05/23
MOLEX EUROPE		DWG NO.	SIZE
PART NO. 85001-0012		SDA-85001-0012	A