

**PLEASE CHECK WWW.MOLEX.COM FOR LATEST PART INFORMATION**

**Part Number:** [0834219044](#)  
**Status:** **Active**  
**Overview:** [commercial\\_microd](#)  
**Description:** Commercial Micro-D, CMD Single Ended, 9 Circuits, Female - Pigtail, 1.83m (6.0' ) Length

**Documents:**

[Drawing \(PDF\)](#) [RoHS Certificate of Compliance \(PDF\)](#)  
[Product Specification PS-83421-001 \(PDF\)](#)

**General**

Product Family	Cable Assemblies
Series	<a href="#">83421</a>
Connector to Connector Overview	Commercial Micro-D-to-Pigtail
Product Literature Order No	<a href="#">commercial_microd</a>
Product Name	USA-063
	Commercial Micro-D

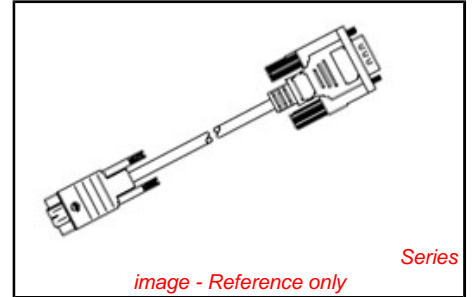
**Physical**

Cable Length	1.83m (6.0' )
Circuits (Loaded)	9
Gender	Female-Pigtail
Lock to Mating Part	None
Material - Plating Mating	Gold
Material - Plating Termination	Tin
Packaging Type	Bag
Plating min: Mating (µin)	5
Plating min: Mating (µm)	0.125
Plating min: Termination (µin)	50
Plating min: Termination (µm)	1.25
Single Ended	Yes
Termination Interface: Style	Crimp or Compression
Wire Insulation Diameter	.225mm (5.720") max.
Wire Size AWG	28
Wire/Cable Type	N/A

**Material Info**

**Reference - Drawing Numbers**

Packaging Specification	PK-83422-001
Product Specification	PS-83421-001



<p><b>EU RoHS</b>  <b>ELV and RoHS</b>  <b>Compliant</b>  <b>REACH SVHC</b>  <b>Contains SVHC: No</b>  <b>Halogen-Free</b>  <b>Status</b>  <b>Not Reviewed</b></p>	<p><b>China RoHS</b></p>
--	--------------------------

**Need more information on product environmental compliance?**

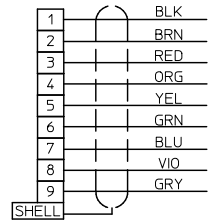
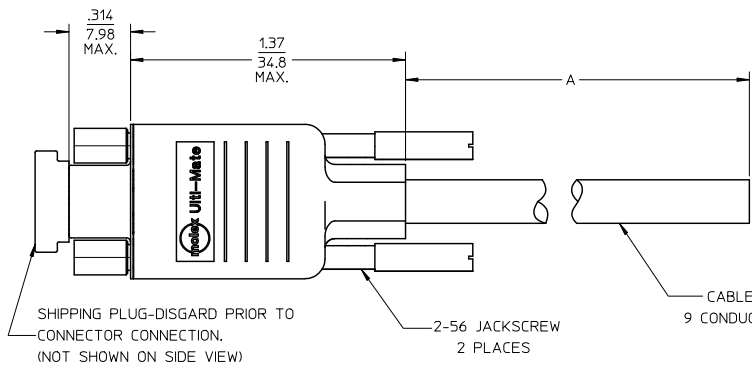
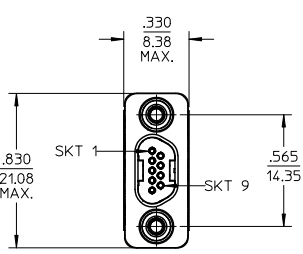
Email [productcompliance@molex.com](mailto:productcompliance@molex.com)  
For a multiple part number RoHS Certificate of Compliance, [click here](#)

Please visit the [Contact Us](#) section for any non-product compliance questions.

**Search Parts in this Series**  
[83421Series](#)

**PLEASE CHECK WWW.MOLEX.COM FOR LATEST PART INFORMATION**

PART NUMBER	A (inch)
834219023	4.5"
834219042	18.5"
834219043	36.5"
834219044	72.5"
834219060	300.0"



NOTES:  
 1) OVERMOLD ASSEMBLY  
 2) CABLE LENGTH TOLERANCE = -0/+0.25" PER FOOT  
 2) RoHS COMPLIANT

ADD PART NUM. EC NO: WNA2010-0499 TDRWN: BRUPERT 2010/02/24 CHKD: 2010/02/24 APPR: JFMURPHY 2010/02/24 REV	QUALITY SYMBOLS	GENERAL TOLERANCES (UNLESS SPECIFIED)	DIMENSION STYLE	SCALE	DESIGN UNITS	THIRD ANGLE PROJECTION																							
	$\nabla=0$ $\sphericalangle=0$	<table border="1"> <thead> <tr> <th></th> <th>mm</th> <th>INCH</th> </tr> </thead> <tbody> <tr> <td>4 PLACES</td> <td>± .005</td> <td>± .0005</td> </tr> <tr> <td>3 PLACES</td> <td>± .005</td> <td>± .0005</td> </tr> <tr> <td>2 PLACES</td> <td>± .01</td> <td>± .001</td> </tr> <tr> <td>1 PLACE</td> <td>± .01</td> <td>± .001</td> </tr> </tbody> </table>		mm	INCH	4 PLACES	± .005	± .0005	3 PLACES	± .005	± .0005	2 PLACES	± .01	± .001	1 PLACE	± .01	± .001	<table border="1"> <thead> <tr> <th>IN/MM</th> <th>DATE</th> </tr> </thead> <tbody> <tr> <td>DRAWN BY: D. URBACH</td> <td>DATE: 2AUG99</td> </tr> <tr> <td>CHECKED BY: F. VAN WYK</td> <td>DATE:</td> </tr> <tr> <td>APPROVED BY: JFMURPHY</td> <td>DATE: 2010/02/24</td> </tr> </tbody> </table>	IN/MM	DATE	DRAWN BY: D. URBACH	DATE: 2AUG99	CHECKED BY: F. VAN WYK	DATE:	APPROVED BY: JFMURPHY	DATE: 2010/02/24	2:1	INCH	
		mm	INCH																										
	4 PLACES	± .005	± .0005																										
3 PLACES	± .005	± .0005																											
2 PLACES	± .01	± .001																											
1 PLACE	± .01	± .001																											
IN/MM	DATE																												
DRAWN BY: D. URBACH	DATE: 2AUG99																												
CHECKED BY: F. VAN WYK	DATE:																												
APPROVED BY: JFMURPHY	DATE: 2010/02/24																												
DESCRIPTION	DRAFT WHERE APPLICABLE MUST REMAIN WITHIN DIMENSIONS	MATERIAL NO. <b>SEE CHART</b>	TITLE <b>CMD CONNECTOR ASSEMBLY          9 CIRCUIT</b>	<b>MOLEX INCORPORATED</b>	SHEET NO. 1 OF 1																								
THIS DRAWING CONTAINS INFORMATION THAT IS PROPRIETARY TO MOLEX INCORPORATED AND SHOULD NOT BE USED WITHOUT WRITTEN PERMISSION			DOCUMENT NO. <b>SD-83421-9023</b>																										

fb\_frame\_A3\_P\_AM\_T  
 Rev. E 2006/04/15