

**PLEASE CHECK WWW.MOLEX.COM FOR LATEST PART INFORMATION**

**Part Number:** [0751341001](#)  
**Status:** **Active**  
**Overview:** [dms59](#)  
**Description:** 1.27mm (.050") Pitch DMS-59® Receptacle, Shielded, Right Angle

**Documents:**

[3D Model](#) [Product Specification PS-75134-001 \(PDF\)](#)  
[Drawing \(PDF\)](#) [RoHS Certificate of Compliance \(PDF\)](#)

**General**

Product Family	I/O Connectors
Series	75134
Application	Wire-to-Board
Component Type	Receptacle
Overview	dms59
Product Name	DMS59®
Type	N/A

**Physical**

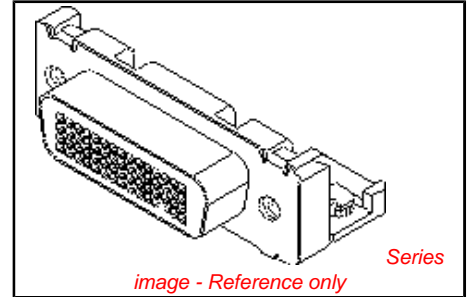
Circuits (Loaded)	59
Circuits (maximum)	59
Color - Resin	Black
Lock to Mating Part	Yes
Material - Metal	Beryllium Copper
Material - Plating Mating	Gold, n/a
Material - Plating Termination	Tin
Material - Resin	High Temperature Thermoplastic
Orientation	Right Angle
PC Tail Length (in)	0.092 In
PC Tail Length (mm)	2.34 mm
PCB Retention	Yes
PCB Thickness Recommended (in)	0.062 In
PCB Thickness Recommended (mm)	1.60 mm
Packaging Type	Tube
Panel Mount	Yes
Pitch - Mating Interface (in)	0.050 In
Pitch - Mating Interface (mm)	1.27 mm
Plating min: Mating (µin)	2
Plating min: Mating (µm)	0.05
Plating min: Termination (µin)	100
Plating min: Termination (µm)	2.5
Polarized to Mating Part	Yes
Surface Mount Compatible (SMC)	Yes
Temperature Range - Operating	-20°C to +80°C
Termination Interface: Style	N/A, Surface Mount
Wire Size AWG	N/A

**Electrical**

Current - Maximum per Contact	1A
Shielded	Yes
Voltage - Maximum	40V

**Solder Process Data**

Duration at Max. Process Temperature (seconds)	40
Lead-free Process Capability	Wave Capable (TH only)
Max. Cycles at Max. Process Temperature	3



<p><b>EU RoHS</b>  <b>ELV and RoHS</b>  <b>Compliant</b>  <b>REACH SVHC</b>  <b>Contains SVHC: No</b>  <b>Halogen-Free</b>  <b>Status</b>  <b>Not Reviewed</b></p>	<p><b>China RoHS</b></p> 
--	--

**Need more information on product environmental compliance?**

Email [productcompliance@molex.com](mailto:productcompliance@molex.com)  
For a multiple part number RoHS Certificate of Compliance, [click here](#)

Please visit the [Contact Us](#) section for any non-product compliance questions.

**Search Parts in this Series**  
[75134Series](#)

**Mates With**  
[75135](#)

**Use With**  
Hex Screw Kit Packaged with screwlock  
70982-1003 (4-40 internal thread)

Process Temperature max. C 245

**Material Info**

**Reference - Drawing Numbers**

Packaging Specification	PK-70873-0686
Product Specification	PS-75134-001
Sales Drawing	SD-75134-001

This document was generated on 05/28/2010

**PLEASE CHECK [WWW.MOLEX.COM](http://WWW.MOLEX.COM) FOR LATEST PART INFORMATION**

ITEM NUMBER	DIMENSION 'A'	HEXAGONAL SCREWLOCKS PACKAGED WITH CONNECTORS	SCREWLOCK ITEM NUMBER (SEE SD-70982-****)	PACKAGED PER PACKAGING SPECIFICATION
75134-1000	.092±.010/2.34±0.25	NO		PK-70873-0291
75134-1001	.092±.010/2.34±0.25	YES	70982-1003; 4-40 INTERNAL THD	PK-70873-0686

NOTES:

1) MATERIALS:

HOUSING: GLASS FILLED LCP (LIQUID CRYSTAL POLYMER), UL94 V-0, COLOR NATURAL.  
 STICK HOUSING: GLASS FILLED LCP (LIQUID CRYSTAL POLYMER), UL94 V-0, COLOR BLACK.  
 TERMINALS: COPPER ALLOY.  
 OUTER SHELL: DEEP DRAWN STEEL.  
 HEXAGONAL SCREWLOCK: STEEL.

2) PLATING :

TERMINAL: SELECTIVE GOLD (Au) FLASH IN CONTACT AREA;  
 THICKNESS= 2 TO 10 MICROINCHES/0.05 TO 0.25 MICROMETERS;  
 SELECTIVE TIN (Sn) ALLOY IN THE PC TAIL AREA;  
 THICKNESS=100 MICROINCHES/2.54 MICROMETERS MINIMUM;  
 NICKEL (Ni) UNDERPLATE OVER ENTIRE PIN.

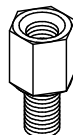
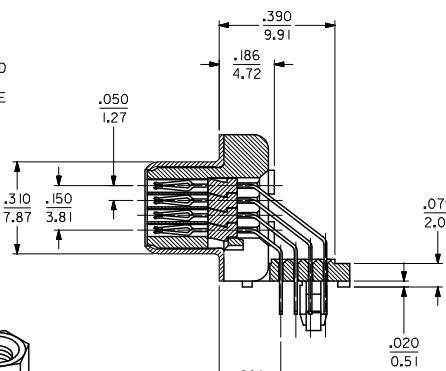
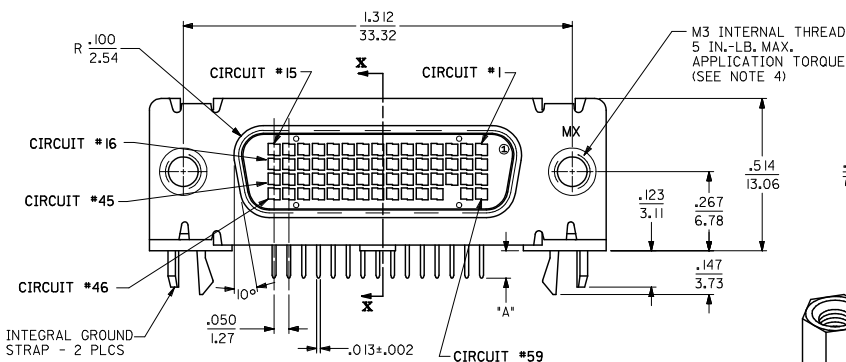
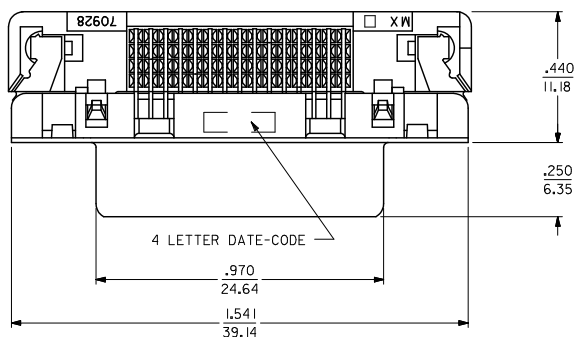
OUTER SHELL: 150 MICROINCHES/3.81 MICROMETERS MINIMUM OF BRIGHT TIN  
 OVER 50 MICROINCHES/1.27 MICROMETERS MINIMUM OF NICKEL  
 OVER COPPER FLASH (OPTIONAL).

3) CONFORMS TO PRODUCT SPECIFICATION PS-75134-001.

4) THREAD GAGE MAY REQUIRE UP TO 1 INCH-POUND/0.113 NEWTON-METER OF TORQUE DURING GAGING PROCESS.

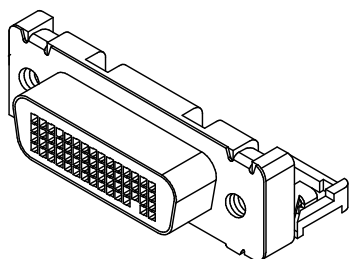
5) SEE CHART FOR PACKAGING.

6) PART COMPLIES WITH CLASS B OF COSMETIC SPECIFICATION PS-45499-002

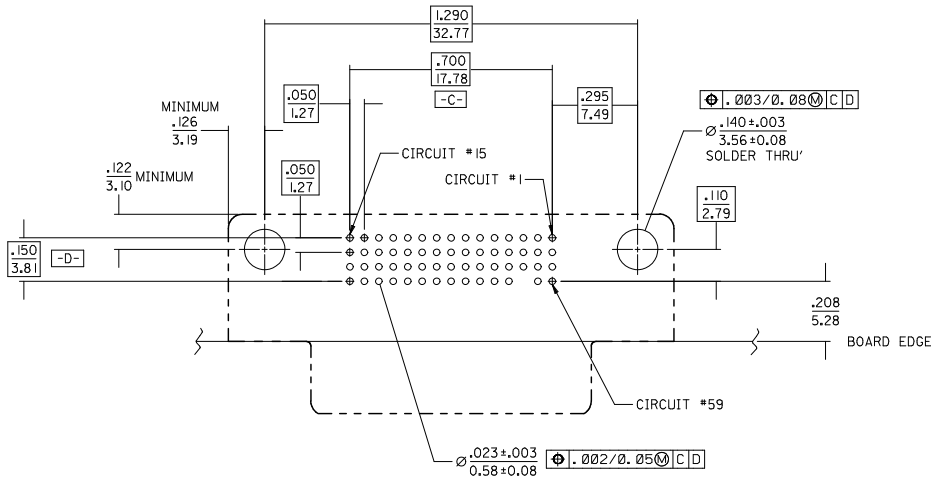


OPTIONAL HEXAGONAL SCREWLOCK

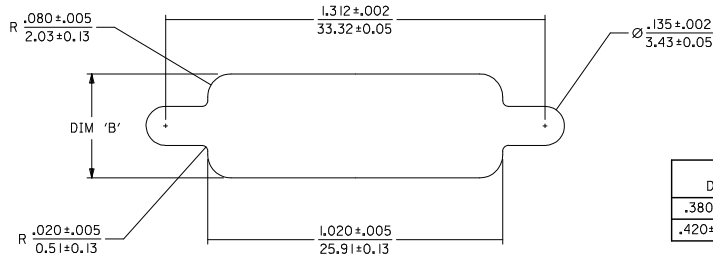
SECTION X-X



MODIFY T/A ACTUAL EC NO. UCP2009-2635 2009/04/29 DRW:DMORGAN CHK:SDANWELLEY 2009/04/30 APPR:SMILLER 2009/04/30	QUALITY SYMBOLS ▽=0 ▽=0	GENERAL TOLERANCES (UNLESS SPECIFIED)		DIMENSION STYLE IN/MM		SCALE	DESIGN UNITS	THIRD ANGLE PROJECTION	
		4 PLACES ± .010 ± .010	mm	INCH	DRAWN BY	DATE	TITLE		
		3 PLACES ± .010 ± .010			DMORGAN	2002/10/18	SALES DMS-59 RECEPTACLE		
		2 PLACES ± 0.25 ± .015			CHECKED BY	DATE	LFH .050/1.27 PITCH		
1 PLACE ± 0.38 ± .015			BBARKER	2002/10/18	RIGHT ANGLE I/O 59 CKT				
			APPROVED BY	DATE					
			SMILLER	2002/10/18					
			ANGULAR ±1/2°						
			DRAFT WHERE APPLICABLE MUST REMAIN WITHIN DIMENSIONS		SEE TABLE				
			MATERIAL NO.						
			DOCUMENT NO.						
			SD-75134-001						
			SHEET NO.						
			1 OF 2						



COMPONENT SIDE  
RECOMMENDED P.C.B. LAYOUT



DIMENSION 'B'	MAXIMUM PANEL THICKNESS
.380 ± .005 / 9.65 ± 0.13	.039 / 0.99
.420 ± .005 / 10.67 ± 0.13	.064 / 1.63

RECOMMENDED PANEL CUT-OUT

SEE SHEET 1 EC NO: UCP2009-2635 DRAWN BY: DMORGAN 2009/04/29 CHKD BY: DANIELLEY 2009/04/30 APPR: MILLER 2009/04/30	QUALITY SYMBOLS	GENERAL TOLERANCES (UNLESS SPECIFIED)		DIMENSION STYLE		SCALE	DESIGN UNITS	THIRD ANGLE PROJECTION
	▽=0	mm	INCH	IN/MM		4:1	INCH	☉
	▽=0	4 PLACES ± --- ± ---	3 PLACES ± --- ± .010	DRAWN BY	DATE	TITLE		
		2 PLACES ± 0.25 ± .015	1 PLACE ± 0.38 ± ---	CHECKED BY	DATE	SALES DMS-59 RECEPTACLE LFH .050/1.27 PITCH RIGHT ANGLE I/O 59 CKT		
	ANGULAR ± 1/2°	DRAFT WHERE APPLICABLE MUST REMAIN WITHIN DIMENSIONS		APPROVED BY	DATE	MOLEX INCORPORATED		
				MATERIAL NO.	DOCUMENT NO.	SD-75134-001		
				SIZE	THIS DRAWING CONTAINS INFORMATION THAT IS PROPRIETARY TO MOLEX INCORPORATED AND SHOULD NOT BE USED WITHOUT WRITTEN PERMISSION			
						SHEET NO. 2 OF 2		

