

PLEASE CHECK WWW.MOLEX.COM FOR LATEST PART INFORMATION

Part Number: [0678408001](#)
Status: **Active**
Description: 2.50mm (.098") Pitch, SDIO Memory Card Connector, Standard Mount, Stand Off 1.80mm (.709"), Footprint A, Type A Cover, Lead Free

Documents:

[3D Model](#) [Product Specification PS-67840-001 \(PDF\)](#)
[Drawing \(PDF\)](#) [RoHS Certificate of Compliance \(PDF\)](#)

General

Product Family	Memory Card Sockets
Series	67840
Button Type	Push-Push
Component Type	Header & Ejector (Host)
Product Name	SDIO
Type	N/A

Physical

Card Detection Switch	Open
Circuits (Loaded)	9
Durability (mating cycles max)	10,000
Ejector Button Side	No Ejector Button Present
Entry Angle	90° Angle (Side Entry)
Keying to Mating Part	Yes
Material - Metal	Piano wire, Stainless Steel
Material - Plating Mating	Gold
Material - Plating Termination	Gold, Tin
PCB Locator	Yes
PCB Mounting Side	Normal
PCB Retention	Yes
Packaging Type	Embossed Tape on Reel
Pitch - Mating Interface (in)	0.098 In
Pitch - Mating Interface (mm)	2.50 mm
Plating min: Mating (µin)	8
Plating min: Mating (µm)	0.2
Plating min: Termination (µin)	120, 2, 40
Plating min: Termination (µm)	0.05, 1, 3
Ports	1
Temperature Range - Operating	-40°C to +85°C
Termination Interface: Style	Surface Mount

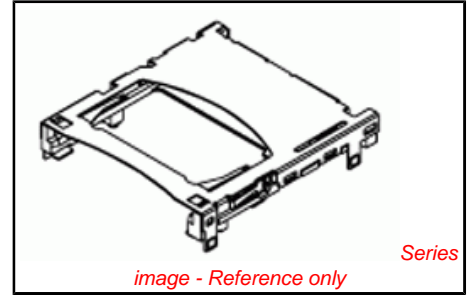
Electrical

Current - Maximum per Contact	0.5A
Shielded	Yes
Voltage - Maximum	100V

Material Info

Reference - Drawing Numbers

Packaging Specification	PK-67840-001
Product Specification	PS-67840-001
Sales Drawing	SD-67840-007



EU RoHS
ELV and RoHS
Compliant
REACH SVHC
 Not Reviewed
Halogen-Free
Status
Halogen-Free

China RoHS



Need more information on product environmental compliance?

Email productcompliance@molex.com
 For a multiple part number RoHS Certificate of Compliance, [click here](#)

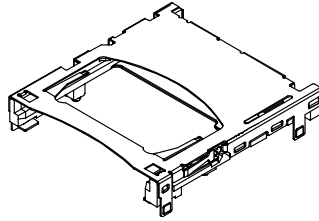
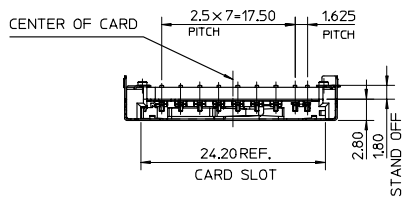
Please visit the [Contact Us](#) section for any non-product compliance questions.

Search Parts in this Series
 67840Series

Use With
 SDIO

PLEASE CHECK WWW.MOLEX.COM FOR LATEST PART INFORMATION

10 9 8 7 6 5 4 3 2 1



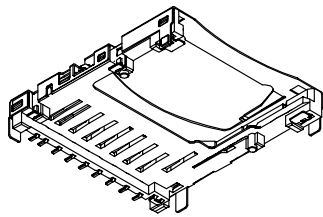
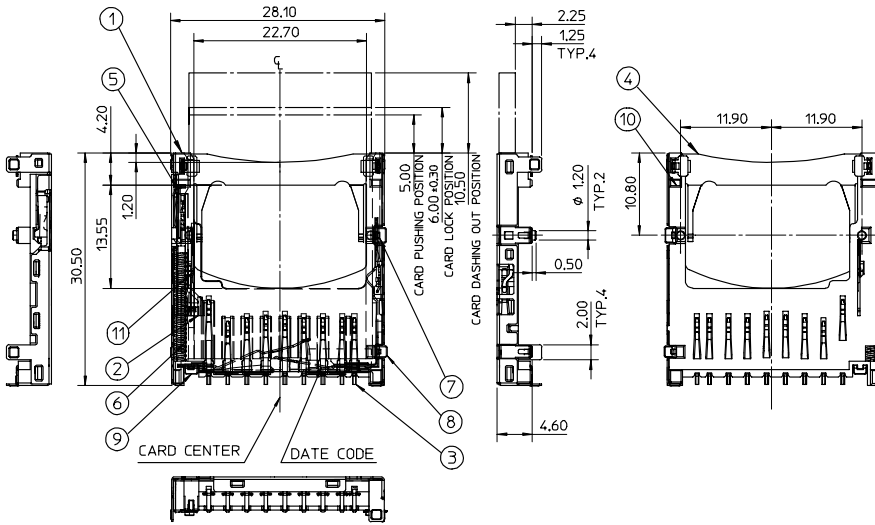
- NOTES:
- 1.TERMINAL AND NAIL COPLANARITY TO BE 0.1 MAX.
 - 2.WHEN DELIVERING, THE PUSH/PUSH MECHANISM IS IN THE STATE OF THE UNLOCK.(CARD DASHING OUT POSITION)
 - 3.CARD READ ONLY BY THE TIME THE CARD DETECTION SWITCH WORKS.
 - 4.OPENING AND CLOSE OF EACH SWITCH.

CARD INSERTION STATUS	WRITE PROTECT SWITCH		DETECT SWITCH
	WRITE PROTECT POSITION	WRITE ENABLE POSITION	
CARD UNINSERTION	OPEN	OPEN	OPEN
CARD HALF INSERTION	CLOSE	CLOSE	OPEN
CARD INSERTION	OPEN	CLOSE	CLOSE

5.MATERIAL AND FINISH AS BELOW

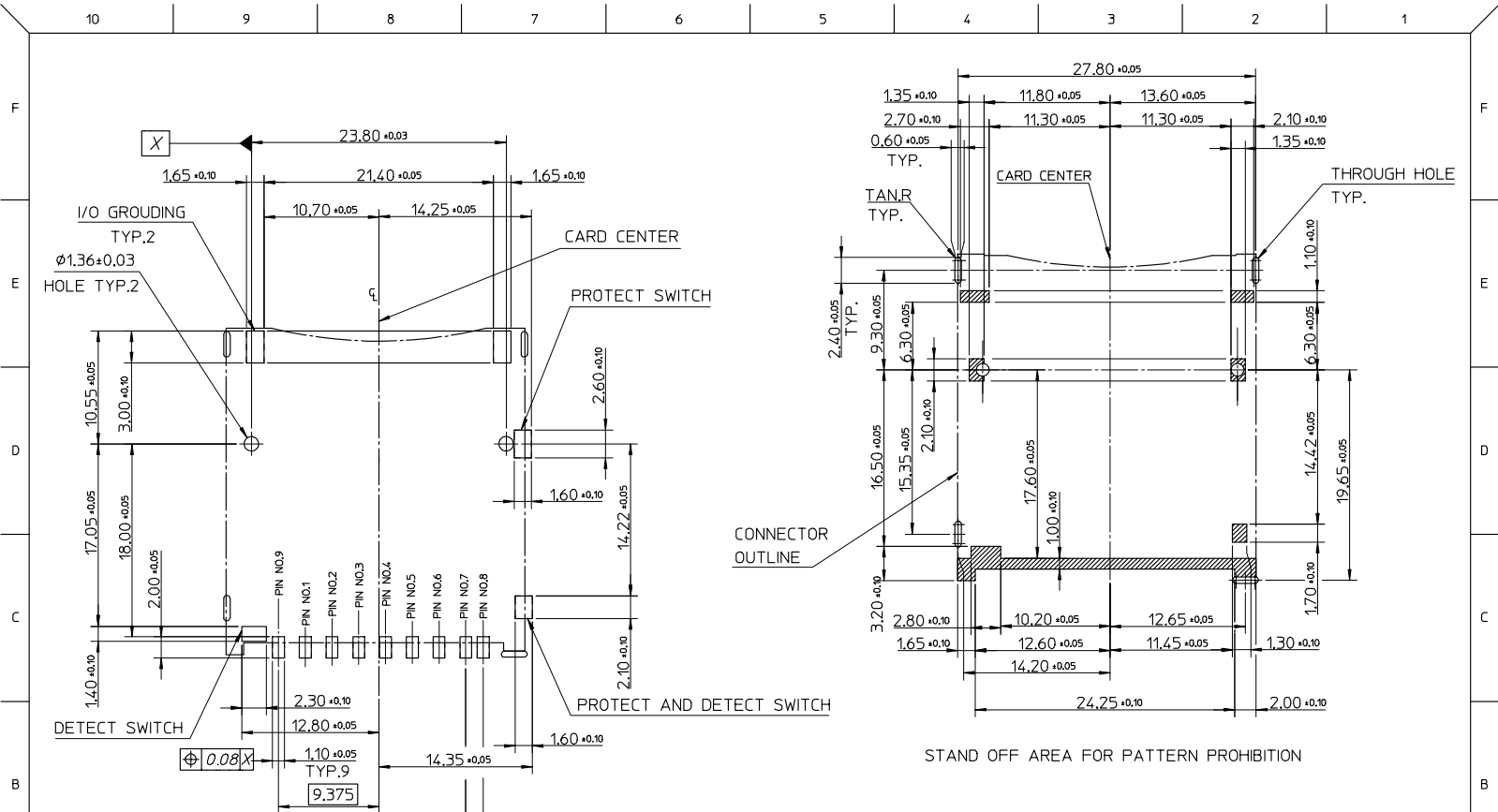
NO	NAME	QTY	MATERIAL
1	HOUSING	1	LCP,UL 94V-0,COLOR:BLACK
2	HEART CAM	1	LCP,UL 94V-0,COLOR:BLACK
3	TERMINAL	9	COPPER ALLOY,SELECTIVE Au PLATING
4	METAL SHELL	1	STAINLESS STEEL
5	PIN	1	STAINLESS STEEL
6	SPRING	1	STEEL WIRE
7	PROTECT TERMINAL	1	COPPER ALLOY, SELECTIVE Au PLATING
8	PROTECT AND DETECT TERMINAL	1	COPPER ALLOY, SELECTIVE Au PLATING
9	DETECT TERMINAL	1	COPPER ALLOY, SELECTIVE Au PLATING
10	NAIL	2	COPPER ALLOY, PURE TIN PLATING
11	CARD LOCK	1	STAINLESS STEEL

6. PRODUCT SPECIFICATION : PER PS-67840-001
7. I/O CONTACTS, BASE ON SD I/O ASSOC. REV. G.
8. THIS HAS A LOCK MECHANISM FOR SD CARD,IT DOES NOT WORK FOR THE MMC. CARD AT LOCK POSITION, IF PULLED OUT MANUALLY, THE NEXT CARD INSERTED WILL BE EJECTED.
9. RECOMMENED P.C.BOARD THICKNESS: 0.8±0.1
10. PACKAGING REFERS TO PK-67840-001



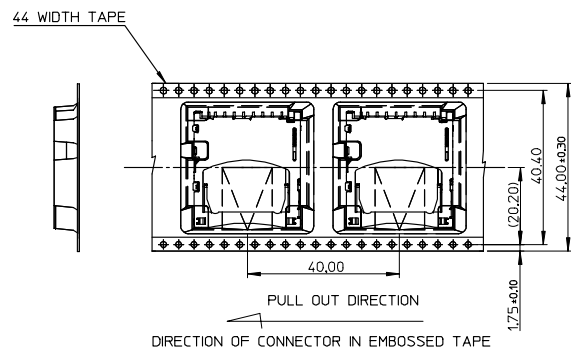
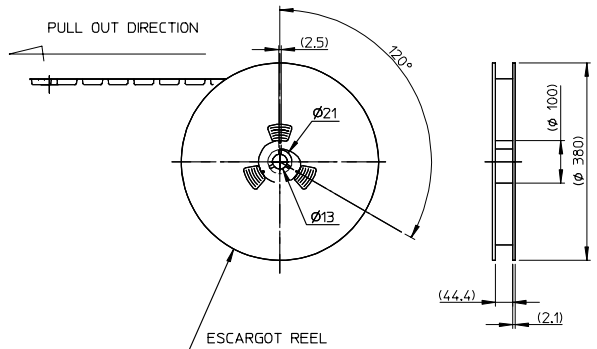
NEW RELEASE EC NO: DRWN:QLZHANG 2005/01/27 CHKD:HARVEY APPR: A	QUALITY SYMBOLS	GENERAL TOLERANCES (UNLESS SPECIFIED)	SCALE 2:1	DESIGN UNITS METRIC	THIRD ANGLE PROJECTION	REVISE ON CAD ONLY
	DESCRIPTION	mm	INCH	DIMENSION STYLE MM ONLY	TITLE	SD MEMORY CARD CONN. ASS'Y(TOP MOUNT TYPE 1.8 MM STAND OFF, LEAD-FREE)
		4 PLACES ± --- ± ---		DRAWN BY OLZHANG	DATE 2004/12/06	
		3 PLACES ± --- ± ---		CHECKED BY	DATE	
2 PLACES ± 0.25 ± ---		APPROVED BY	DATE	MATERIAL NO. 67840-8001	DOCUMENT NO. SD-67840-007	SHEET NO. 1 OF 3
1 PLACE ± 0.25 ± ---		DRAFT WHERE APPLICABLE MUST REMAIN WITHIN DIMENSIONS		THIS DRAWING CONTAINS INFORMATION THAT IS PROPRIETARY TO MOLEX INCORPORATED AND SHOULD NOT BE USED WITHOUT WRITTEN PERMISSION		

9 8 7 6 5 4 3 2 1



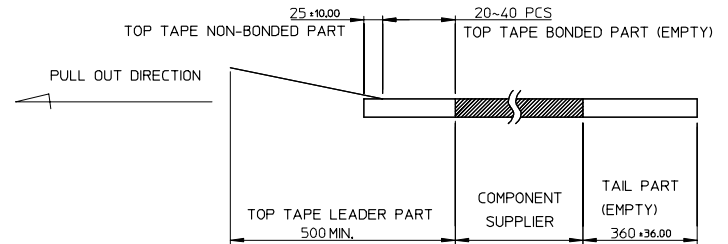
RECOMMENDED PCB PATTERN LAYOUT

NEW RELEASE EC NO: DRWN: QLZHANG 2005/01/27 CHKD: HARVEY APPR:	QUALITY SYMBOLS	GENERAL TOLERANCES (UNLESS SPECIFIED)	SCALE 3:1	DESIGN UNITS METRIC	THIRD ANGLE PROJECTION	REVISE ON CAD ONLY	
	DESCRIPTION REV 0 0 0	mm INCH 4 PLACES ± --- ± --- 3 PLACES ± --- ± --- 2 PLACES ± 0.25 ± --- 1 PLACE ± 0.25 ± --- ANGULAR ± 3°	DIMENSION STYLE MM ONLY	TITLE	SD MEMORY CARD CONN. ASS'Y(TOP MOUNT TYPE 1.8 MM STAND OFF, LEAD-FREE)		
			DRAFT WHERE APPLICABLE MUST REMAIN WITHIN DIMENSIONS	APPROVED BY DATE	MATERIAL NO. 67840-8001	DOCUMENT NO. SD-67840-007	SHEET NO. 2 OF 3
			THIS DRAWING CONTAINS INFORMATION THAT IS PROPRIETARY TO MOLEX INCORPORATED AND SHOULD NOT BE USED WITHOUT WRITTEN PERMISSION		MOLEX INCORPORATED		A3

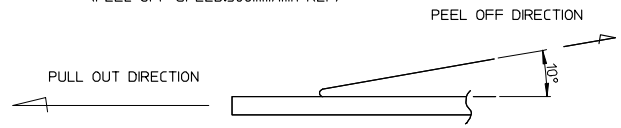


NOTES:

1. NUMBER OF CONNECTORS: 250 PCS/REEL
- 2.



3. PEEL-OFF FORCE OF TOP TAPE: 0.1~1.3N (10.2~130gf)
(PEELING DIRECTION AS SHOWN IN FOLLOWING FIGURE.)
(PEEL-OFF SPEED:300mm/min REF)



NEW RELEASE EC NO: DRAWN: QLZHANG 2005/01/27 CHKD: HARVEY APPR: A	QUALITY SYMBOLS	GENERAL TOLERANCES (UNLESS SPECIFIED)	SCALE 1:1	DESIGN UNITS METRIC	THIRD ANGLE PROJECTION	REVISE ON CAD ONLY
	DESCRIPTION	mm	INCH	DIMENSION STYLE MM ONLY		TITLE SD MEMORY CARD CONN. ASS'Y(TOP MOUNT TYPE 1.8 MM STAND OFF, LEAD-FREE)
		4 PLACES ± --- ± ---		DRAWN BY	DATE	
		3 PLACES ± --- ± ---		QLZHANG	2004/12/06	
2 PLACES ± 0.25 ± ---		CHECKED BY	DATE	MATERIAL NO. 67840-8001		
1 PLACE ± 0.25 ± ---		ANGULAR ± 3 °		DOCUMENT NO. SD-67840-007		SHEET NO. 3 OF 3
▽-0	DRAFT WHERE APPLICABLE MUST REMAIN WITHIN DIMENSIONS		APPROVED BY	DATE	THIS DRAWING CONTAINS INFORMATION THAT IS PROPRIETARY TO MOLEX INCORPORATED AND SHOULD NOT BE USED WITHOUT WRITTEN PERMISSION	