

## VHF I / VHF II / UHF-Tuner IC

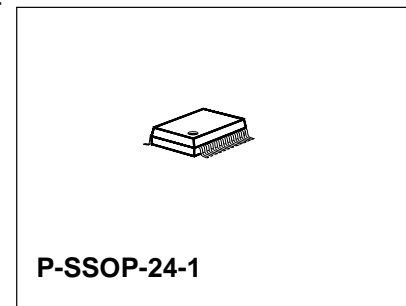
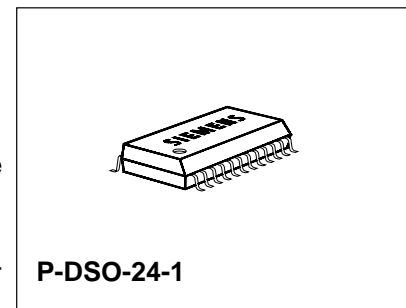
**TUA 2009X  
TUA 2009XS**

### Preliminary Data

**Bipolar IC**

#### Features

- Few external components
- Frequency and amplitude-stable unbalanced oscillator for the VHF I-frequency range
- Frequency and amplitude-stable balanced oscillators for the VHF II- and UHF-frequency range
- Optimum decoupling of input frequency from oscillator
- Double balanced mixer with wide dynamic range and high-impedance inputs for the VHF I-frequency range
- Double balanced mixer with wide dynamic range and low-impedance inputs for the VHF II- and UHF-frequency range
- Low-impedance SAW-filter driver output
- SAW-filter driver with high signal-handling capability
- Internal band switch
- Low-noise, internal reference voltage
- Integrated 1st IF-bandpass filter



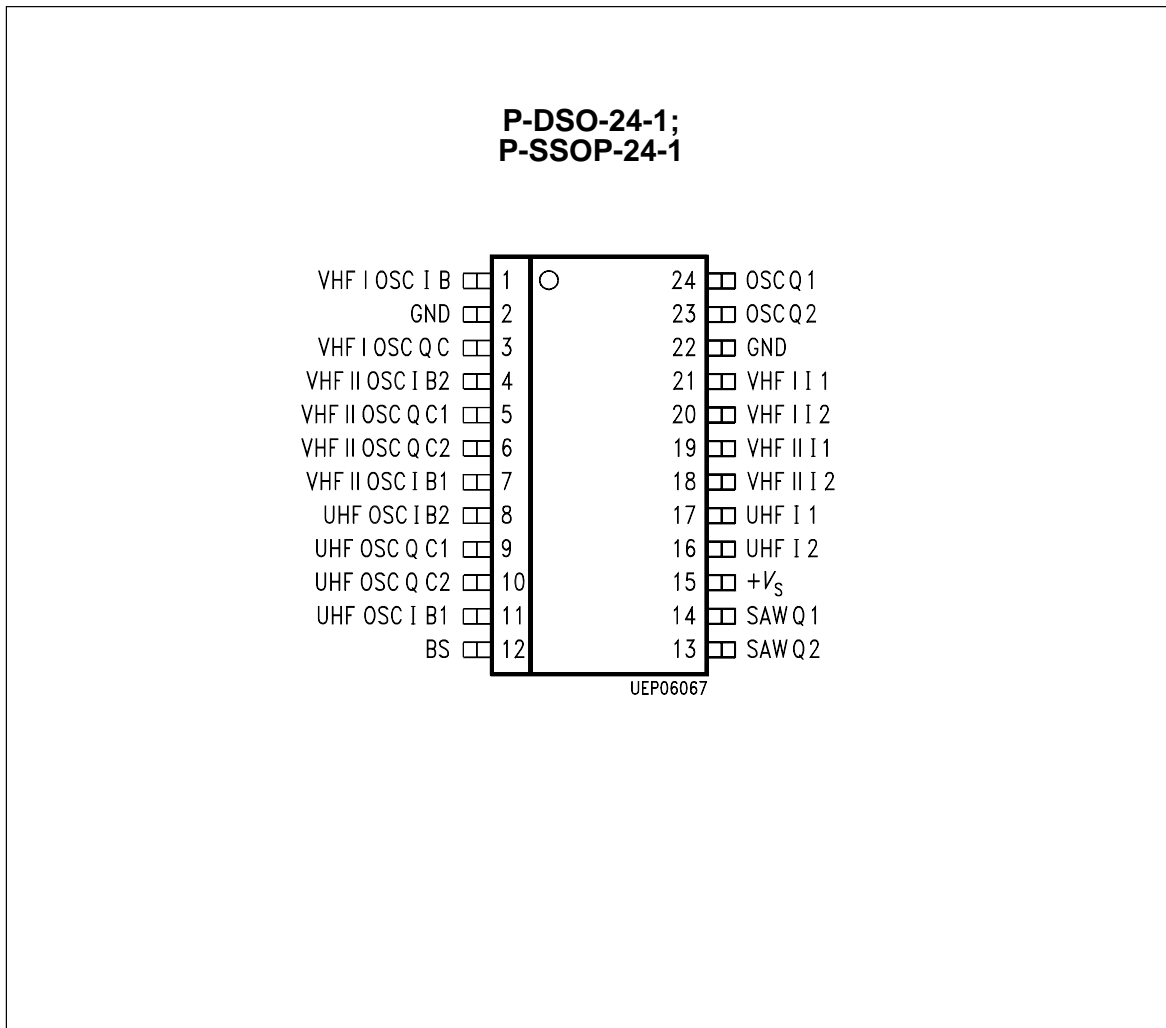
Type	Ordering Code	Package
TUA 2009X	Q67000-A5113	P-DSO-24-1 (SMD)
TUA 2009X	Q67006-A5113	P-DSO-24-1 Tape & Reel
TUA 2009XS	Q67006-A5202	P-SSOP-24-1 Tape & Reel

#### Circuit Description

This integrated circuit permits the design of TV-tuners covering the entire frequency range from 48 ... 900 MHz split into 3 frequency bands. The application is suitable for all tuners in TV- and VCR-sets.

The integrated circuit includes 3 balanced mixers (double balanced mixer/ring mixer), one unbalanced oscillator for VHF I and two balanced oscillators for VHF II and UHF, a SAW-filter driver amplifier as well as a reference voltage source and a band switch. Filters between tuner input and IC separate the TV-frequency signal into three bands. The band switch ensures that only one band at a time is activated. In the activated band the signal passes a frontend stage with MOSFET-amplifier, a double-tuned bandpass filter and is then fed to the balanced mixer input of the IC which is a high-impedance stage for the VHF I-range and a low-impedance stage for the VHF II- and UHF-range, respectively. The input signal is mixed there with the oscillator signal from the activated oscillator section and fed into common IF-stage for all bands. The IF-signal is further amplified in a SAW-filter driver section in order to drive the SAW-filter with a low impedance.

**Pin Configuration**  
(top view)

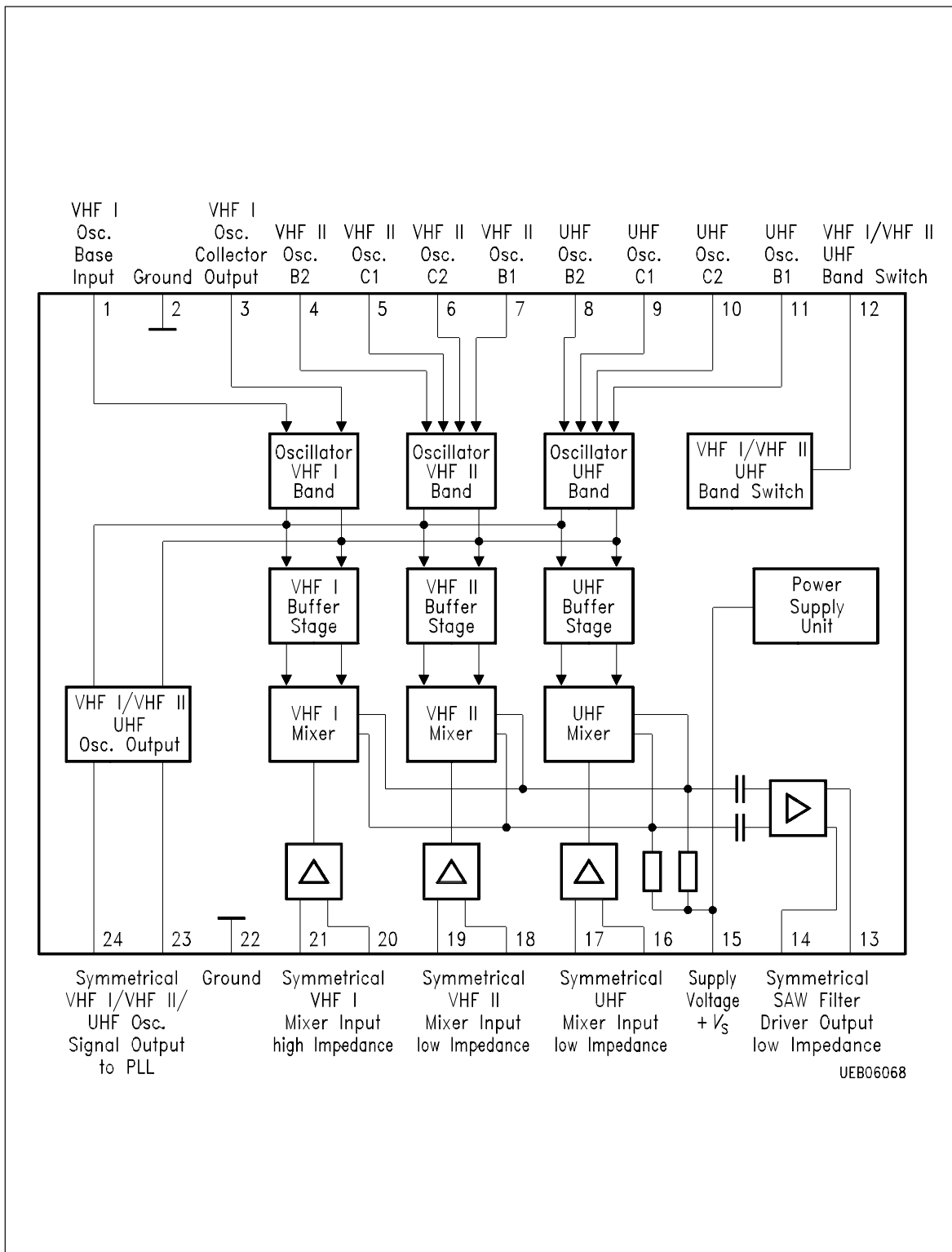


## Pin Definitions and Functions

Pin No.	Symbol	Function
1	VHF I-osc. coupling 2	VHF I-osc. coupling, base input
2	GND	Ground
3	VHF I-osc. coupling 1	VHF I-osc. coupling, collector output
4	VHF II-osc. input B2	VHF II-osc. amplifier, high-impedance base input, symmetrical to pin 7
5	VHF II-osc. output C1	VHF II-osc. amplifier, high-impedance collector output, symmetrical to pin 6
6	VHF II-osc. output C2	VHF II-osc. amplifier, high-impedance collector output, symmetrical to pin 5
7	VHF II-osc. input B1	VHF II-osc. amplifier, high-impedance base input, symmetrical to pin 4
8	UHF-osc. input B2	UHF-osc. amplifier, high-impedance base input, symmetrical to pin 11
9	UHF-osc. output C1	UHF-osc. amplifier, high-impedance coll. output, symmetrical to pin 10
10	UHF-osc. output C2	UHF-osc. amplifier, high-impedance coll. output, symmetrical to pin 9
11	UHF-osc. input B1	UHF-osc. amplifier, high-impedance base input, symmetrical to pin 8
12	Band switch	VHF I - / VHF II - / UHF-band switch
13	SAW-filter driv. out 2	SAW-filter driver output, low-impedance, symmetrical to pin 14
14	SAW-filter driv. out 1	SAW-filter driver output, low-impedance, symmetrical to pin 13
15	+ $V_S$	Supply voltage
16	UHF-input 2	UHF-mixer input low-impedance, symmetrical to pin 17

**Pin Definitions and Functions (cont'd)**

<b>Pin No.</b>	<b>Symbol</b>	<b>Function</b>
17	UHF-input 1	UHF-mixer input low-impedance, symmetrical to pin 16
18	VHF II-input 2	VHF II-mixer input low-impedance, symmetrical to pin 19
19	VHF II-input 1	VHF II-mixer input low-impedance, symmetrical to pin 18
20	VHF I-input 2	VHF I-mixer input high-impedance, symmetrical to pin 21
21	VHF I-input 1	VHF I-mixer input high-impedance, symmetrical to pin 20
22	GND	Ground
23	Osc. output 2	VHF I - / VHF II - /UHF-osc. signal output to PLL, symmetrical to pin 24
24	Osc. output 1	VHF I - / VHF II - / UHF-osc. signal output to PLL, symmetrical to pin 23



Block Diagram

**Absolute Maximum Ratings** $T_A = 0$  to  $70$  °C

Parameter	Symbol	Limit Values		Unit
		min.	max.	
Supply voltage $V_S$	$V_{15/2, 23}$	- 0.3	14	V
Current	$I_{15}$		60	mA
Switching voltage	$V_{12}$	- 0.3	+ $V_S$	V

According to application circuit 1, only the provided circuitry can be connected to pins 1, 3, 4, 5, 6, 7, 8, 9, 10, 11, 13, 14, 16, 17, 18, 19, 20, 21, 23, 24

Junction temperature	$T_j$		150	°C
Storage temperature	$T_{stg}$	- 40	125	°C
Thermal resistance P-DSO-24-1 P-SSOP-24-1 <sup>1)</sup>	$R_{th SA}$ $R_{th SA}$		75 83	K/W K/W

**Operating Range**

Supply voltage	$V_S$	10	13.2	V
Supply current	$I_{15}$	23	53	mA
VHF I-mixer input frequency range	$f_{VHF I}$	30	500	MHz
VHF II-mixer input frequency range	$f_{VHF II}$	30	900	MHz
UHF-mixer input frequency range	$f_{UHF}$	30	900	MHz
VHF I-oscillator frequency range	$f_{OVHF I}$	30	500	MHz
VHF II-oscillator frequency range	$f_{OVHF II}$	30	900	MHz
UHF-oscillator frequency range	$f_{OUHF}$	30	900	MHz
Ambient temperature	$T_A$	0	70	°C

1) Tested with an application oriented IC substitute inside the tuner box

## Characteristics

$T_A = 25\text{ °C}$ ;  $V_S = 12\text{ V}$

Parameter	Symbol	Limit Values			Unit	Test Condition	Test Circuit
		min.	typ.	max.			
Current consumption	$I_{15}$	30	38	45	mA	$V_{12} > 1.6\text{ V}$	1
Current consumption	$I_{15}$	27	34	41	mA	$V_{12} < 0.9\text{ V}$	1

## VHF I-Circuit Section

Switching voltage	$V_{12}$	0		1	V	$V_{12} = 0.5\text{ V}$	1
Switching current	$I_{12}$			10	$\mu\text{A}$		1
Oscillator frequency range	$f_{\text{VHF I}}$	80		216	MHz	$V_d = 0 \dots 28\text{ V}$	1
Oscillator drift	$\Delta f_{\text{VHF I}}$			200	kHz	$V_S = 12\text{ V} \pm 10\%$ $\Delta T = 25\text{ °C}$ $t = 5\text{ s}$ up to 15 min. after switching on	1
Oscillator drift	$\Delta f_{\text{VHF I}}$			400	kHz		1
Oscillator drift	$\Delta f_{\text{VHF I}}$			200	kHz		1
Oscillator level	$V_K$		700		mVrms	channel E2, at hot end	1
Oscillator level	$V_K$		700		mVrms	channel S10, at hot end	1
Oscillator level	$a_{\text{PLL}}$		- 20		dBm	channel E2	1
Oscillator level	$a_{\text{PLL}}$		- 20		dBm	channel S10	1
Oscillator output impedance	$R_{23, 24}$		100		$\Omega$	parallel equivalent circuit	3
	$C_{23, 24}$		2		pF	parallel equivalent circuit	3
Harmonic wave ratio interference level	$a_{23, 24}$			- 10	dB	$V_{\text{HF}} = 1\text{ Vrms}$	1
Oscillator pulling	$V_{20, 21}$	100	108		dB/ $\mu\text{V}$	$\Delta f = 10\text{ kHz}$ in channel E2	1
Oscillator pulling	$V_{20, 21}$	100	108		dB/ $\mu\text{V}$	$\Delta f = 10\text{ kHz}$ in channel S10	1
Oscillator pulling	$V_{20, 21}$	80	88		dB/ $\mu\text{V}$	$\Delta f_{\text{int}} = E2 + (N + 5 - 1\text{ MHz})$	1
Oscillator pulling	$V_{20, 21}$	80	88		dB/ $\mu\text{V}$	$\Delta f_{\text{int}} = S10 + (N + 5 - 1\text{ MHz})$	1
Gain	$G_{\text{VHF I}}$		27		dB	channel E2 pin 20, 21 > 13, 14	1
Gain	$G_{\text{VHF I}}$		27		dB	channel S10 pin 20, 21 > 13, 14	1
Mixer noise figure	$NF_{\text{VHF I}}$		7.5	9	dB	channel E2 (DSB)	2
Mixer noise figure	$NF_{\text{VHF I}}$		7.5	9	dB	channel S10 (DSB)	2
Interference voltage	$V_{\text{int}}$		70		dB/ $\mu\text{V}$	1 % cross mod; E2 $\pm 2$	1
Interference voltage	$V_{\text{int}}$		70		dB/ $\mu\text{V}$	1 % cross mod; S10 $\pm 2$	1

## Characteristics (cont'd)

$T_A = 25\text{ °C}$ ;  $V_S = 12\text{ V}$

Parameter	Symbol	Limit Values			Unit	Test Condition	Test Circuit
		min.	typ.	max.			
Mixer input impedance	$R_{20, 21}$		3		k $\Omega$	parallel equivalent circuit	3
	$C_{20, 21}$		0.5		pF	parallel equivalent circuit	3
IF-suppression	$a_{IF}$		20		dB	channel E2	1
IF-suppression	$a_{IF}$		20		dB	channel S10	1

## VHF II-Circuit Section

Switching voltage	$V_{12}$	1.6		2.3	V		1
Switching current	$I_{12}$		10	30	$\mu$ A	$V_{12} = 2.1\text{ V}$	1
Oscillator frequency range	$f_{VHF II}$	190		485	MHz	$V_d = 0 \dots 28\text{ V}$	1
Oscillator drift	$\Delta f_{VHF II}$			400	kHz	$V_S = 12\text{ V} \pm 10\%$ $\Delta T = 25\text{ °C}$ $t = 5\text{ s}$ up to 15 min. after switching on	1
Oscillator drift	$\Delta f_{VHF II}$			500	kHz		1
Oscillator drift	$\Delta f_{VHF II}$			200	kHz		1
Oscillator level	$a_{PLL}$		-20		dBm	E5 balanced tested	1
Oscillator level	$a_{PLL}$		-20		dBm	S37 balanced tested	1
Oscillator output impedance	$R_{23, 24}$		100		$\Omega$	parallel equivalent circuit	3
	$C_{23, 24}$		2		pF	parallel equivalent circuit	3
Harmonic wave ratio interference level	$a_{23, 24}$			-10	dB	$V_{HF} = 1\text{ V}_{rms}$	1
Oscillator pulling	$V_{18, 19}$	100	108		dB/ $\mu$ V	$\Delta f = 10\text{ kHz}$ in channel E5	1
Oscillator pulling	$V_{18, 19}$	100	108		dB/ $\mu$ V	$\Delta f = 10\text{ kHz}$ in channel S37	1
Oscillator pulling	$V_{18, 19}$	80	88		dB/ $\mu$ V	$\Delta f_{int} = K5 + (N + 5 - 1\text{ MHz})$	1
Oscillator pulling	$V_{18, 19}$	80	88		dB/ $\mu$ V	$\Delta f_{int} = S37 + (N + 5 - 1\text{ MHz})$	1
Gain	$G_{VHF II}$		41		dB	channel E5 pin 18, 19 > 13, 14	1
Gain	$G_{VHF II}$		41		dB	channel S37 pin 18, 19 > 13, 14	1
Mixer noise figure	$NF_{VHF II}$		7.5	9	dB	channel E5 (DSB)	2
Mixer noise figure	$NF_{VHF II}$		7.5	9	dB	channel S37 (DSB)	2



## Characteristics (cont'd)

$T_A = 25\text{ °C}$ ;  $V_S = 12\text{ V}$

Parameter	Symbol	Limit Values			Unit	Test Condition	Test Circuit
		min.	typ.	max.			
Interference voltage	$V_{\text{int}}$	97	100		dB/ $\mu$ V	1 % cross mod.; E5 $\pm$ 2	1
Interference voltage	$V_{\text{int}}$	97	100		dB/ $\mu$ V	1 % cross mod.; S37 $\pm$ 2	1
Mixer input impedance	$R_{18, 19}$		25		$\Omega$	serial equivalent circuit	3
	$L_{18, 19}$		10		nH	serial equivalent circuit	3
IF-suppression	$a_{\text{IF}}$		20		dB	channel E5	1
IF-suppression	$a_{\text{IF}}$		20		dB	channel S37	1

## UHF-Circuit Section

Switching voltage	$V_{12}$	3.2		$\leq V_S$	V		1
Switching current	$I_{12}$		60	300	$\mu$ A	$V_{12} = V_S$	1
Oscillator frequency range	$f_{\text{UHF}}$	470		900	MHz	$V_d = 0 \dots 28\text{ V}$	1
Oscillator drift	$\Delta f_{\text{UHF}}$			400	kHz	$V_S = 12\text{ V} \pm 10\%$	1
Oscillator drift	$\Delta f_{\text{UHF}}$			800	kHz	$\Delta T = 25\text{ °C}$	1
Oscillator drift	$\Delta f_{\text{UHF}}$			600	kHz	$t = 5\text{ s}$ up to 15 min. after switching on	1
Oscillator level	$V_{23, 24}$		- 20		dBm	E21 balanced tested	1
Oscillator level	$V_{23, 24}$		- 20		dBm	E68 balanced tested	1
Oscillator output impedance	$R_{23, 24}$		100		$\Omega$	parallel equivalent circuit	3
	$C_{23, 24}$		2		pF	parallel equivalent circuit	3
Harmonic wave ratio interference level	$a_{23, 24}$			- 10	dB	$V_{\text{HF}} = 1\text{ Vrms}$	1
Oscillator pulling	$V_{16, 17}$	100	108		dB/ $\mu$ V	$\Delta f = 10\text{ kHz}$ in channel E21	1
Oscillator pulling	$V_{16, 17}$	100	108		dB/ $\mu$ V	$\Delta f = 10\text{ kHz}$ in channel E68	1
Oscillator pulling	$V_{16, 17}$	80	88		dB/ $\mu$ V	$\Delta f_{\text{int}} = E21 + (N + 5 - 1\text{ MHz})$	1
Oscillator pulling	$V_{16, 17}$	80	88		dB/ $\mu$ V	$\Delta f_{\text{int}} = E68 + (N + 5 - 1\text{ MHz})$	1
Gain	$G_{\text{UHF}}$		41		dB	channel E21 pin 16, 17 > 13, 14	1
Gain	$G_{\text{UHF}}$		41		dB	channel E68 pin 16, 17 > 13, 14	1

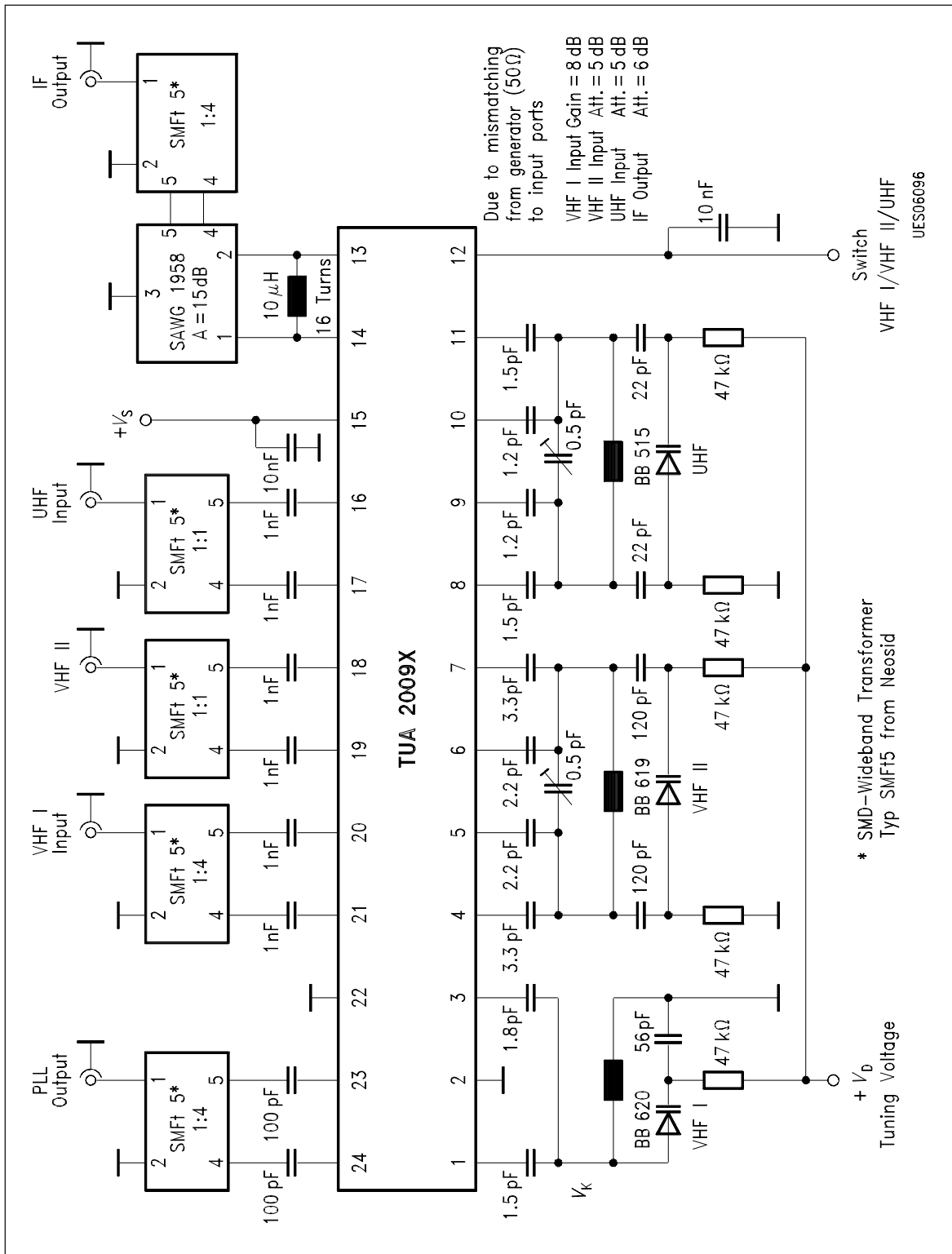
## Characteristics (cont'd)

$T_A = 25\text{ °C}$ ;  $V_S = 12\text{ V}$

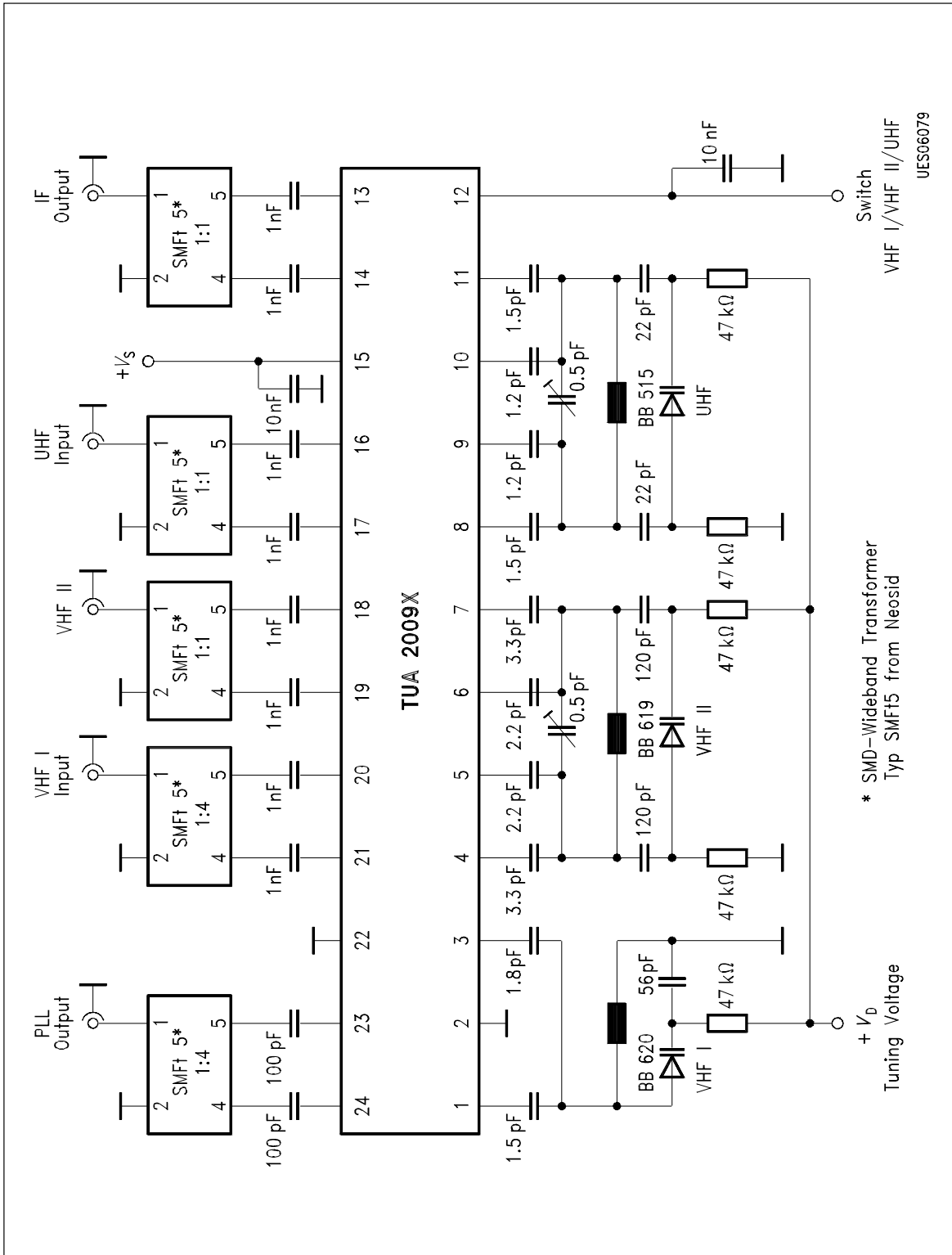
Parameter	Symbol	Limit Values			Unit	Test Condition	Test Circuit
		min.	typ.	max.			
Mixer noise figure	$NF_{\text{UHF}}$		8	10	dB	channel E21 (DSB)	2
Mixer noise figure	$NF_{\text{UHF}}$		9	11	dB	channel E68 (DSB)	2
Interference voltage	$V_{\text{int}}$	97	100		dB/ $\mu\text{V}$	1 % cross mod.; E21 $\pm 2$	1
Interference voltage	$V_{\text{int}}$	97	100		dB/ $\mu\text{V}$	1 % cross mod.; E68 $\pm 2$	1
Mixer input impedance	$R_{16, 17}$		25		$\Omega$	serial equivalent circuit	3
	$L_{16, 17}$		10		nH	serial equivalent circuit	3
IF-suppression	$a_{\text{IF}}$		20		dB	channel E21	1

## SAW-Filter Driver Section

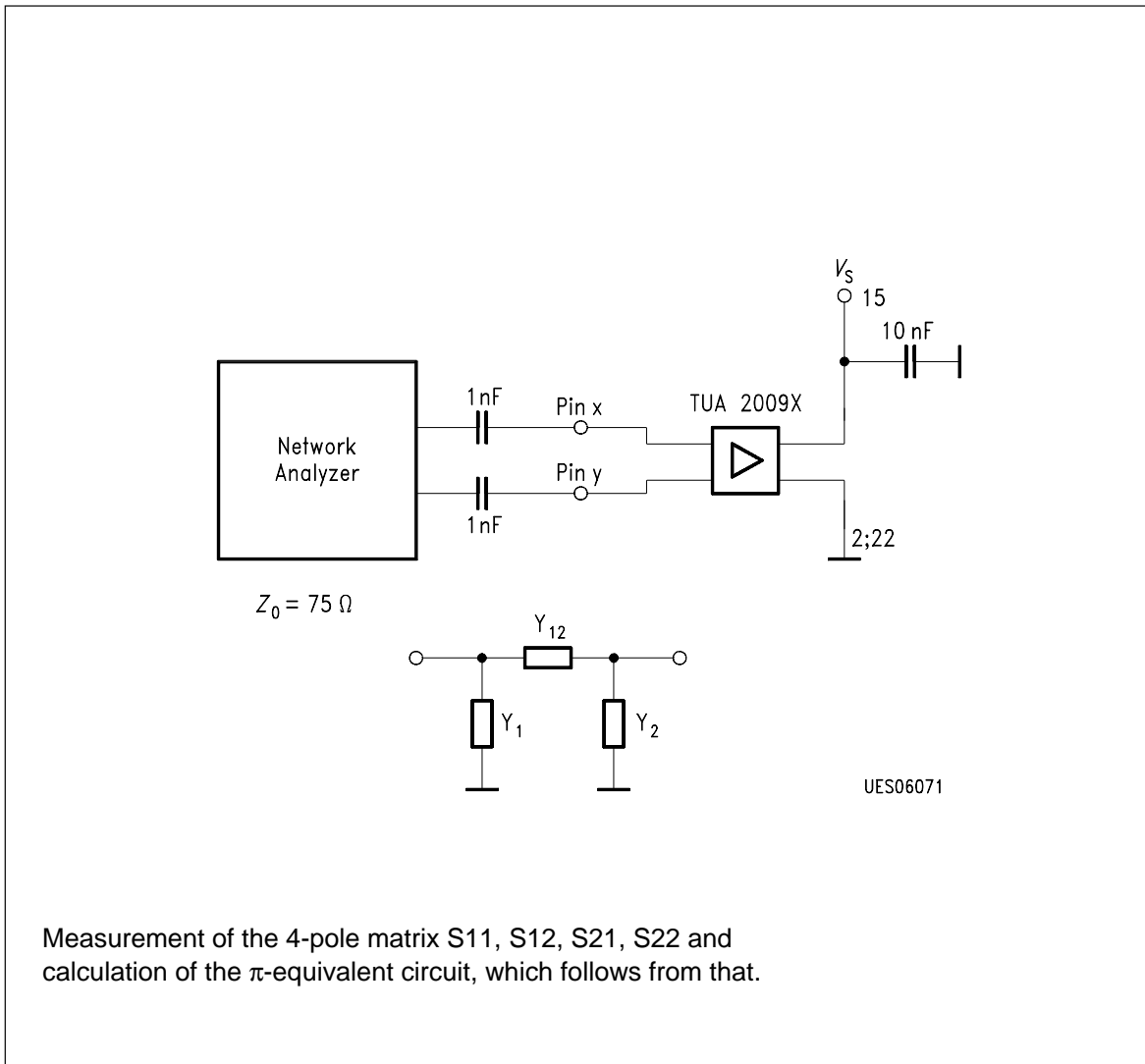
SAW-filter driver output impedance	$R_{13, 14}$		75		$\Omega$	serial equivalent circuit	4
	$C_{13, 14}$		95		nH	serial equivalent circuit	4
Output voltage linearity	$V_{\text{AOFW}}$		24		dBm	total harmonic distortion factor $THD = 5\%$	



**Test Circuit 1**

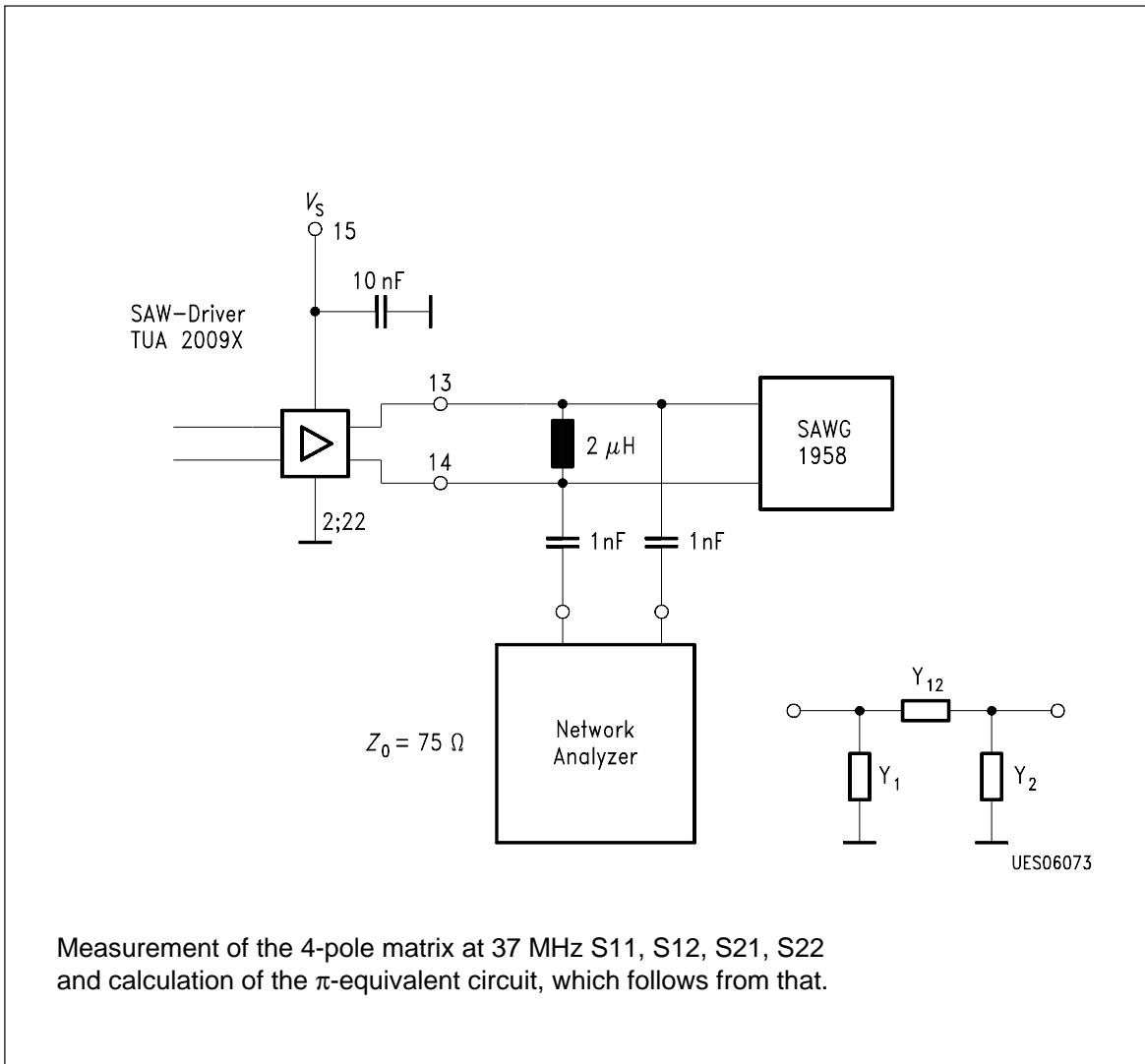


Test Circuit 2



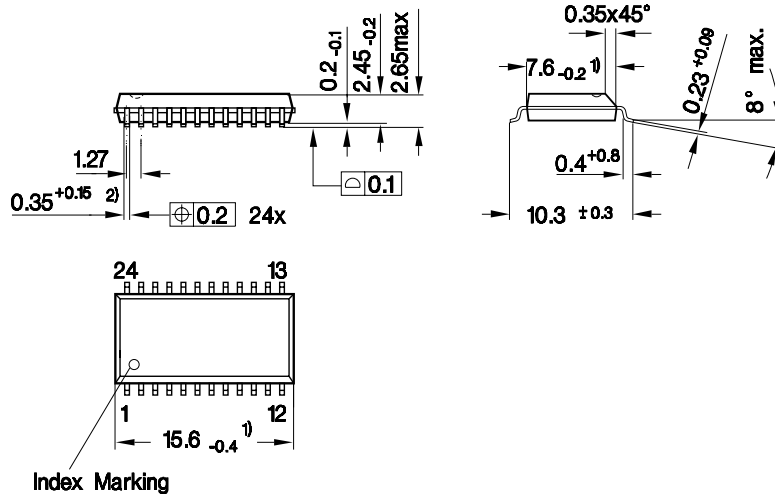
**Test Circuit 3**

Test Point	Test Frequency in MHz	Pin x	Pin y
Oscillator output impedance	100	23	24
Mixer input impedance VHF 1	100	20	21
Mixer input impedance VHF 2	300	18	19
Mixer output impedance UHF	600	16	17



**Test Circuit 4**

**Plastic Package, P-DSO-24-1 (SMD)**  
(Plastic Dual Small Outline)



- 1) Does not include plastic or metal protrusion of 0.15 max. per side  
2) Does not include dambar protrusion of 0.05 max. per side

GPS05144

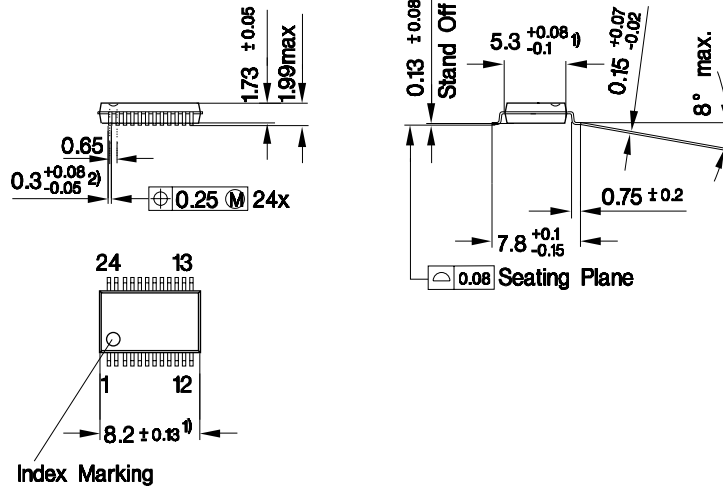
**Sorts of Packing**

Package outlines for tubes, trays etc. are contained in our Data Book "Package Information"

SMD = Surface Mounted Device

Dimensions in mm

**Plastic Package, P-SSOP-24-1 (SMD)**  
(Plastic Shrink Small Outline Package)



- 1) Does not include plastic or metal protrusion of 0.15 max. per side
- 2) Does not include dambar protrusion of 0.08 max. per side

GPS05388

**Sorts of Packing**

Package outlines for tubes, trays etc. are contained in our Data Book "Package Information"

SMD = Surface Mounted Device

Dimensions in mm