

PLEASE CHECK WWW.MOLEX.COM FOR LATEST PART INFORMATION

Part Number: [0670687041](#)
Status: **Active**
Description: Universal Serial Bus (USB) Shielded I/O Type B Receptacle, Right Angle with Kinked Solder Tabs, Color Black, 0.76µm (30µ") Gold (Au) Plating, Tray Pack, Lead-Free

Documents:

[3D Model](#) [Product Specification PS-67998-0000 \(PDF\)](#)
[Drawing \(PDF\)](#) [RoHS Certificate of Compliance \(PDF\)](#)

General

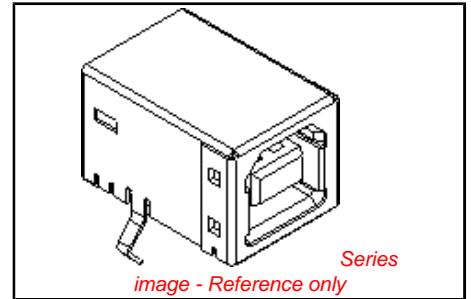
Product Family	I/O Connectors
Series	67068
Application	Wire-to-Board
Comments	Single
Component Type	Receptacle
Product Name	USB
Type	B

Physical

Boot Color	N/A
Circuits (Loaded)	4
Circuits (maximum)	4
Gender	Receptacle
Lock to Mating Part	Yes
Material - Plating Mating	Gold
Material - Plating Termination	Tin
Number of Rows	2
Orientation	Right Angle
PC Tail Length (in)	0.110 In
PC Tail Length (mm)	2.80 mm
PCB Locator	Yes
PCB Retention	Yes
PCB Thickness Recommended (in)	0.063 In
PCB Thickness Recommended (mm)	1.60 mm
Packaging Type	Tray
Panel Mount	No
Pitch - Mating Interface (in)	0.098 In
Pitch - Mating Interface (mm)	2.50 mm
Pitch - Term. Interface (in)	0.098 In
Pitch - Term. Interface (mm)	2.50 mm
Plating min: Mating (µin)	30
Plating min: Mating (µm)	0.76
Polarized to Mating Part	Yes
Polarized to PCB	Yes
Ports	1
Surface Mount Compatible (SMC)	Yes
Temperature Range - Operating	0°C to +50°C
Termination Interface: Style	Through Hole
Waterproof / Dustproof	No
Wire Size AWG	N/A

Electrical

Current - Maximum per Contact	1.5A
Shield Type	Full Shield
Shielded	Yes
Voltage - Maximum	30V (RMS)



EU RoHS

ELV and RoHS Compliant
REACH SVHC
 Not Reviewed
Halogen-Free Status
 Not Reviewed

China RoHS



Need more information on product environmental compliance?

Email productcompliance@molex.com
 For a multiple part number RoHS Certificate of Compliance, [click here](#)

Please visit the [Contact Us](#) section for any non-product compliance questions.

Search Parts in this Series
[67068Series](#)

Mates With
 USB Type B Plug

Solder Process Data

Lead-free Process Capability
Process Temperature max. C

Wave Capable (TH only)
260

Material Info**Reference - Drawing Numbers**

Product Specification
Sales Drawing

PS-67998-0000
SD-67068-003

This document was generated on 04/07/2010

PLEASE CHECK WWW.MOLEX.COM FOR LATEST PART INFORMATION

10 9 8 7 6 5 4 3 2 1

NOTES :

1. MATERIAL :

HOUSING : (a) HIGH TEMP. NYLON ,GLASS FIBER FILLED,UL94V-0, COLOR: BLACK,
(b) POLYESTER , GLASS FIBER FILLED,UL94V-0, COLOR: WHITE,

TERMINAL : PHOSPHOR BRONZE
METAL SHELL : COPPER ALLOY

2. PLATING :

TERMINAL :

CONTACT AREA : (a) GOLD FLASH,

(b) GLOD (Au), THICKNESS = 30 MICROINCH MINIMUM,
/0.76 MICROMETER MINIMUM.

SOLDER TAIL :

PURE TIN(Sn) THICKNESS= 75 MICROINCH MINIMUM .
/1.9 MICROMETER MINIMUM.

UNDER PLATE : NICKEL (Ni), THICKNESS= 50 MICROINCH MINIMUM.

/1.27 MICROMETER MINIMUM.

METAL SHELL :

PURE TIN(Sn) , THICKNESS= 50 MICROINCH MINIMUM.
/1.27 MICROMETER MINIMUM.

UNDER PLATE : NICKEL (Ni) , THICKNESS= 50 MICROINCH MINIMUM.

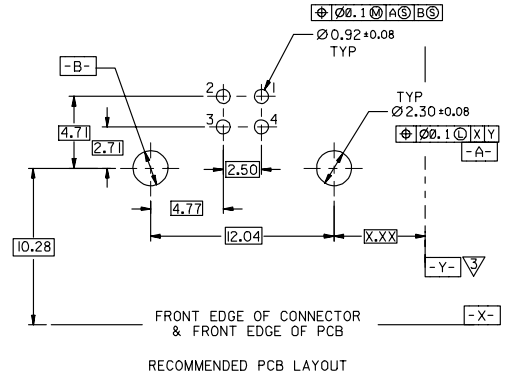
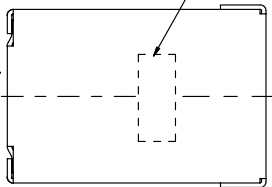
/1.27 MICROMETER MINIMUM.

▽ DATUM AND BASIC DIMENSIONS ESTABLISHED BY CUSTOMER

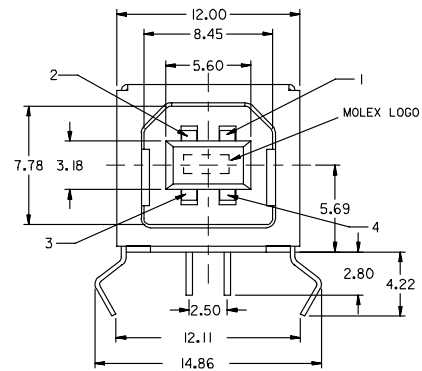
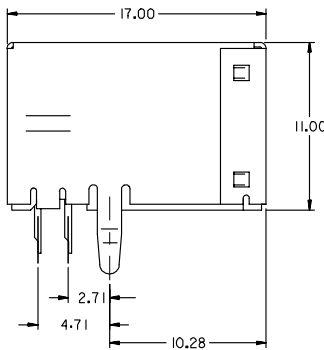
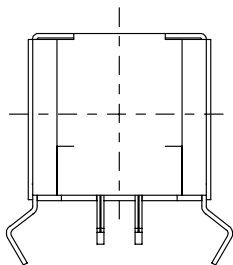
RECOMMENDED PCB THICKNESS : 1.60±0.05

4 PRODUCT SPECIFICATION : REFER TO PS-67998-0000

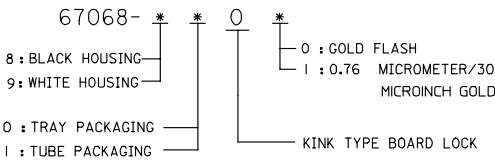
MOLEX ID OF MFG PLANT CODE



FRONT EDGE OF CONNECTOR
& FRONT EDGE OF PCB
RECOMMENDED PCB LAYOUT



PART NUMBER LEGEND:



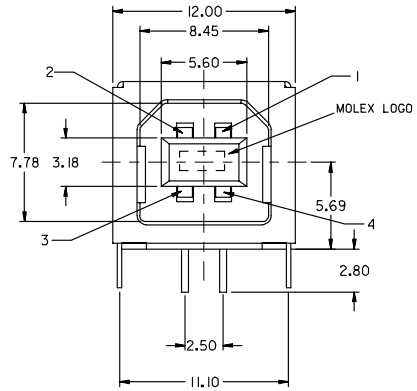
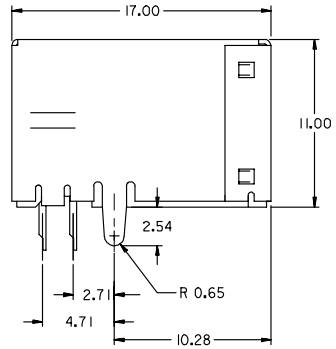
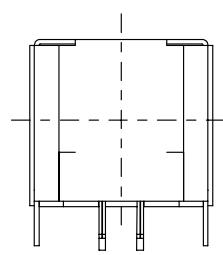
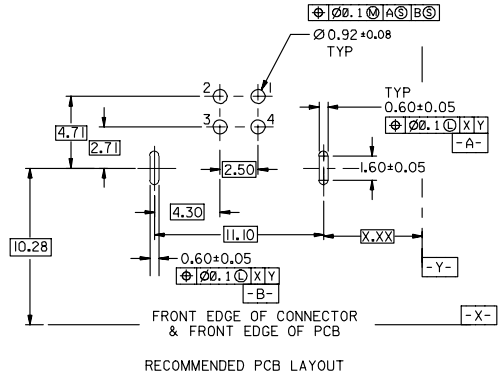
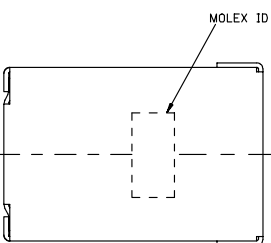
NEW RELEASE EC NO. SH2005-0142 DRAWN: DAVID HU 2004/11/05 CHKD: HARVEY 2004/11/05 APPR: YITAP 2004/11/25	QUALITY SYMBOLS ▽=0 ▽=0	GENERAL TOLERANCES (UNLESS SPECIFIED)		DIMENSION STYLE MM ONLY		SCALE 4:1	DESIGN UNITS METRIC	THIRD ANGLE PROJECTION
		4 PLACES ± --- ± ---	3 PLACES ± --- ± ---	2 PLACES ± 0.25 ± ---	1 PLACE ± 0.25 ± ---	ANGULAR ± 3 °	DRAWN BY DAVID HU	DATE 2004/11/05
A	DESCRIPTION	DRAFT WHERE APPLICABLE MUST REMAIN WITHIN DIMENSIONS		SEE NOTES		MATERIAL NO. DOCUMENT NO. SD-67068-003		SHEET NO. 1 OF 4
		THIS DRAWING CONTAINS INFORMATION THAT IS PROPRIETARY TO MOLEX INCORPORATED AND SHOULD NOT BE USED WITHOUT WRITTEN PERMISSION						

9 8 7 6 5 4 3 2 1

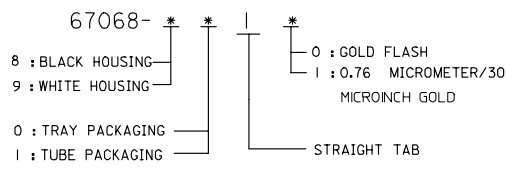
10 9 8 7 6 5 4 3 2 1

NOTES :
 1. MATERIAL :
 HOUSING : (a) HIGH TEMP. NYLON, CLASS FIBER FILLED, UL94V-0, COLOR: BLACK,
 (b) POLYESTER, CLASS FIBER FILLED, UL94V-0, COLOR: WHITE,
 TERMINAL : PHOSPHOR BRONZE
 METAL SHELL : COPPER ALLOY

2. PLATING :
 TERMINAL :
 CONTACT AREA : (a) GOLD FLASH,
 (b) GLOD (Au), THICKNESS = 30 MICROINCH MINIMUM,
 /0.76 MICROMETER MINIMUM.
 SOLDER TAIL :
 PURE TIN(Sn) THICKNESS= 75 MICROINCH MINIMUM .
 /1.9 MICROMETER MINIMUM.
 UNDER PLATE : NICKEL (Ni), THICKNESS= 50 MICROINCH MINIMUM.
 /1.27 MICROMETER MINIMUM.
 METAL SHELL :
 PURE TIN(Sn) THICKNESS= 50 MICROINCH MINIMUM.
 /1.27 MICROMETER MINIMUM.
 UNDER PLATE : NICKEL (Ni), THICKNESS= 50 MICROINCH MINIMUM.
 /1.27 MICROMETER MINIMUM.
 3 DATUM AND BASIC DIMENSIONS ESTABLISHED BY CUSTOMER
 RECOMMENDED PCB THICKNESS : 1.60±0.05
 4 PRODUCT SPECIFICATION : REFER TO PS-67998-0000



PART NUMBER LEGEND:



NEW RELEASE IEC NO. SH2005-0142 DRWN: DAVID HU 2004/11/05 CHKD: HARVEY 2004/11/05 APPR: YITAP 2004/11/25	QUALITY SYMBOLS	GENERAL TOLERANCES (UNLESS SPECIFIED)	DIMENSION STYLE	SCALE	DESIGN UNITS	THIRD ANGLE PROJECTION
	$\nabla=0$ $\nabla=0$	mm INCH 4 PLACES ± --- ± --- 3 PLACES ± --- ± --- 2 PLACES ± 0.25 ± --- 2004/11/05 1 PLACE ± 0.25 ± --- ANGULAR ± 3°	MM ONLY	4:1	METRIC	
	DESCRIPTION	DRAWN BY	DATE	TITLE	USB B TYPE CONNECTOR WITH STRAIGHT TAB (LEAD-FREE)	
	REV	CHECKED BY	DATE	APPROVED BY	DATE	MOLEX INCORPORATED MATERIAL NO. SEE NOTES DOCUMENT NO. SD-67068-003 SHEET NO. 2
DRAFT WHERE APPLICABLE MUST REMAIN WITHIN DIMENSIONS		SIZE A3		THIS DRAWING CONTAINS INFORMATION THAT IS PROPRIETARY TO MOLEX INCORPORATED AND SHOULD NOT BE USED WITHOUT WRITTEN PERMISSION		

9 8 7 6 5 4 3 2 1

8 7 6 5 4 3 2 1

NOTES :

1. MATERIAL :
 HOUSING : (a) HIGH TEMP. NYLON, GLASS FIBER FILLED, UL94V-0, COLOR: BLACK,

TERMINAL : PHOSPHOR BRONZE
 METAL SHELL : COPPER ALLOY

2. PLATING :

TERMINAL :
 CONTACT AREA : (a) GOLD FLASH,
 (b) GLOD (Au), THICKNESS = 30 MICROINCH MINIMUM,
 /0.76 MICROMETER MINIMUM.

SOLDER TAIL :
 PURE TIN(Sn) THICKNESS= 75 MICROINCH MINIMUM ,
 /1.9 MICROMETER MINIMUM.

UNDER PLATE : NICKEL (Ni), THICKNESS= 50 MICROINCH MINIMUM,
 /1.27 MICROMETER MINIMUM.

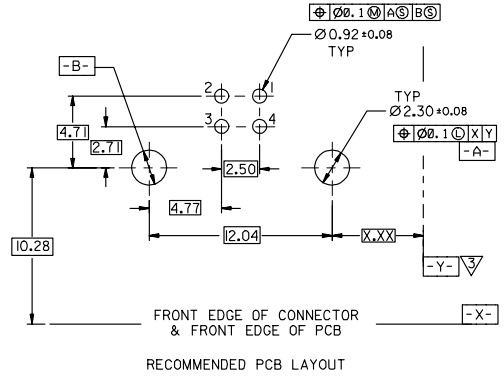
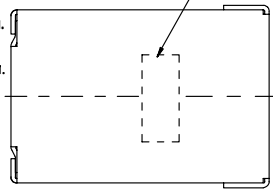
METAL SHELL :
 PURE TIN(Sn), THICKNESS= 50 MICROINCH MINIMUM,
 /1.27 MICROMETER MINIMUM.

UNDER PLATE : NICKEL (Ni), THICKNESS= 50 MICROINCH MINIMUM,
 /1.27 MICROMETER MINIMUM.

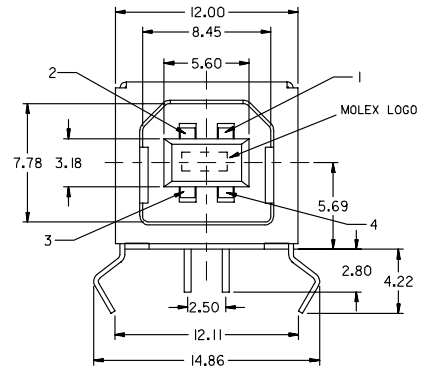
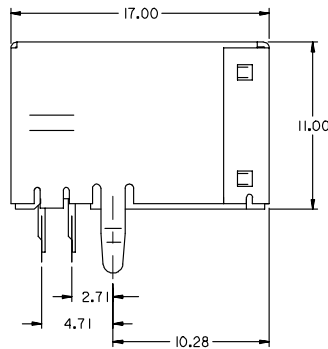
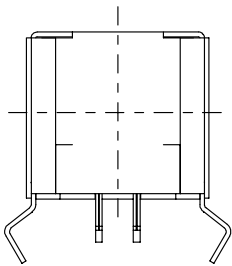
▽ DATUM AND BASIC DIMENSIONS ESTABLISHED BY CUSTOMER
 RECOMMENDED PCB THICKNESS : 1.60±0.05

4 PRODUCT SPECIFICATION : REFER TO PS-67998-0000

MOLEX ID OF MFG PLANT CODE



FRONT EDGE OF CONNECTOR
 & FRONT EDGE OF PCB
 RECOMMENDED PCB LAYOUT



PART NUMBER LEGEND:

67068- 7041

				MATERIAL : SEE NOTES		MOLEX TAIWAN LTD.	
				FINISH : SEE NOTES		SHEET 3 OF 4	
				WIRE RANGE :		GENERAL TOLERANCES	
				INS. RANGE :		ANGLE : ± 3° DIM : ± .25/.010	
A NEW RELEASE FOR LEAD-FREE				DAVID HU 2004/11/5		ENG. NO.: SD-67068-003	
LTR	REVISION RECORD	ECN	DR	DATE	DRAWN BY 2004/11/5 DAVID HU	CHK'D BY	REV A
REVISE ONLY ON CAD SYSTEM				APPR'D BY		SCALE 4 : 1	
						TITLE : HIGH TEMP USB B TYPE CONNECTOR KINK TYPE BOARD LOCK (LEAD-FREE)	

THIS DRAWING CONTAINS INFORMATION THAT IS PROPRIETARY TO MOLEX (FEMLE) AND SHOULD NOT BE USED WITHOUT WRITTEN PERMISSION

ENG. NO.

EDP NO.

SIMILAR ITEM

CAD FILE :

DO NOT SCALE DRAWING

F

E

D

C

B

A

ENG. NO SDA-67068-0000

EDP NO.

SIMILAR ITEM

CAD FILE : _S6706802_

DO NOT SCALE DRAWING

8 7 6 5 4 3 2 1

NOTES :

1. MATERIAL :

HOUSING : (a) HIGH TEMP. NYLON, GLASS FIBER FILLED, UL94V-0, COLOR: BLACK,

TERMINAL : PHOSPHOR BRONZE
METAL SHELL : COPPER ALLOY

2. PLATING :

TERMINAL :
CONTACT AREA : (a) GOLD FLASH,
(b) GLOD (Au), THICKNESS = 30 MICROINCH MINIMUM,
/0.76 MICROMETER MINIMUM.

SOLDER TAIL :
PURE TIN(Sn) THICKNESS= 75 MICROINCH MINIMUM,
/1.9 MICROMETER MINIMUM.

UNDER PLATE : NICKEL (Ni), THICKNESS= 50 MICROINCH MINIMUM,
/1.27 MICROMETER MINIMUM.

METAL SHELL :
PURE TIN(Sn) THICKNESS= 50 MICROINCH MINIMUM,
/1.27 MICROMETER MINIMUM.

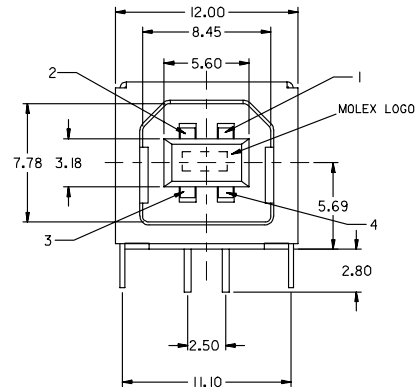
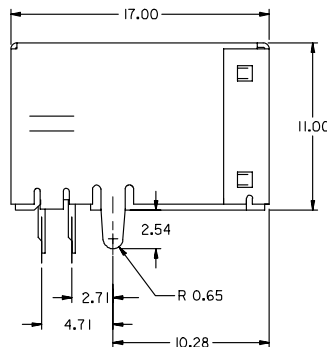
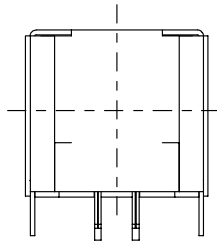
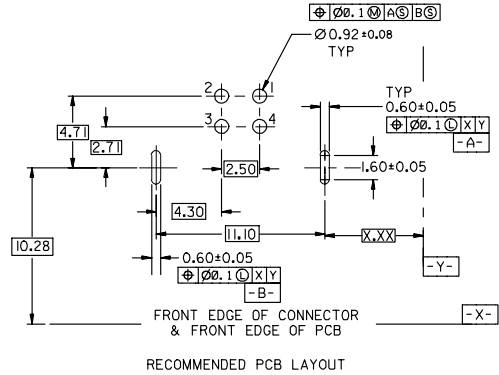
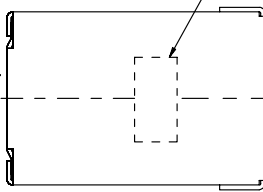
UNDER PLATE : NICKEL (Ni), THICKNESS= 50 MICROINCH MINIMUM,
/1.27 MICROMETER MINIMUM.

3 DATUM AND BASIC DIMENSIONS ESTABLISHED BY CUSTOMER

RECOMMENDED PCB THICKNESS : 1.60±0.05

4 PRODUCT SPECIFICATION : REFER TO PS-67998-0000

MOLEX ID OF MFG PLANT CODE



PART NUMBER LEGEND:

67068- 7051

				MATERIAL : SEE NOTES		MOLEX TAIWAN LTD.	
				FINISH : SEE NOTES		SHEET 4 OF 4	
				WIRE RANGE :		GENERAL TOLERANCES	
				INS. RANGE :		ANGLE : ± 3° DIM : ± .25/.010	
A NEW RELEASE FOR LEAD-FREE				DAVID HJ 2006/11/5		ENG. NO.: SD-67068-003	
LTR REVISION RECORD				ECN DR DATE		DRAWN BY 2004/11/5	
				DAVID HJ		CHK'D BY	
REVISE ONLY ON CAD SYSTEM				APPR'D BY		SCALE 4 : 1	
						TITLE : HIGH TEMP/5B B TYPE CONNECTOR WITH STRAIGHT TAB (LEAD-FREE)	
						REV A	

THIS DRAWING CONTAINS INFORMATION THAT IS PROPRIETARY TO MOLEX (FEMLE) AND SHOULD NOT BE USED WITHOUT WRITTEN PERMISSION

MXT, Sg - 13