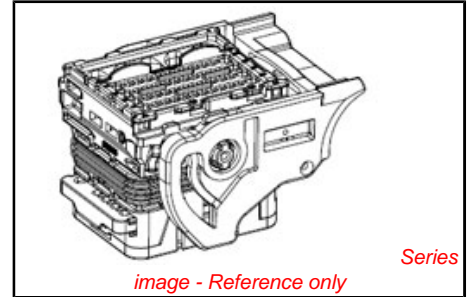


PLEASE CHECK WWW.MOLEX.COM FOR LATEST PART INFORMATION

Part Number: [0643203311](#)
Status: **Active**
Overview: [cmc_connectors](#)
Description: .635mm (.025"), 1.50mm (.059"), CMC Receptacle, 48 Circuits, Right Wire Output, Black Coding, Mat Sealed



Documents:

[3D Model](#) [Product Specification PS-64319-001 \(PDF\)](#)
[Drawing \(PDF\)](#) [RoHS Certificate of Compliance \(PDF\)](#)
[Application Specification \(PDF\)](#)

General

Product Family	Crimp Housings
Series	64320
Comments	* Current tested on a 5 terminals loaded connector, current for temperature increase of 40°C . Current max = 6.0A for 0.635mm Terminal (0.75mm ² wire) and 12.0A for 1.5mm Terminal (2.0mm ² wire) *
More Detailed Tech Information	Sealed, high-density, modular connecting system for Power Train and Body Electronics applications in cars, trucks, busses
Overview	cmc_connectors
Product Name	CMC

Physical

Circuits (maximum)	48
Circuits Detail	8 x 1.5mm & 40 x 0.635mm terminals
Color - Resin	Black
Gender	Female
Glow-Wire Compliant	No
Keying to Mating Part	Yes
Lock to Mating Part	Yes
Material - Resin	Polyester
Number of Rows	4
Packaging Type	Carton
Panel Mount	No
Pitch - Mating Interface (in)	0.100 In, 0.146 In
Pitch - Mating Interface (mm)	2.54 mm, 3.70 mm
Polarized to Mating Part	Yes
Stackable	No
Temperature Range - Operating	-40°C to +125°C

Electrical

Current - Maximum per Contact	12A, 6A
-------------------------------	---------

Material Info

Reference - Drawing Numbers

Application Specification	AS-64319-001
Packaging Specification	PK-64320-001
Product Specification	PS-64319-001
Sales Drawing	SD-64320-001, SD-98644-006, SD-98993-008

<p>EU RoHS ELV and RoHS Compliant REACH SVHC Not Reviewed Halogen-Free Status Not Reviewed</p>	<p>China RoHS</p> 
--	--

Need more information on product environmental compliance?

Email productcompliance@molex.com
 For a multiple part number RoHS Certificate of Compliance, [click here](#)

Please visit the [Contact Us](#) section for any non-product compliance questions.

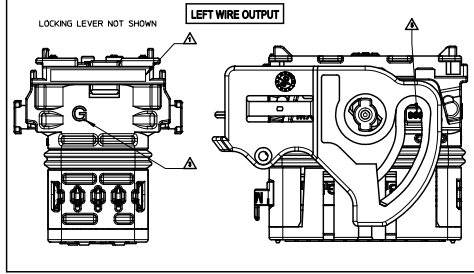
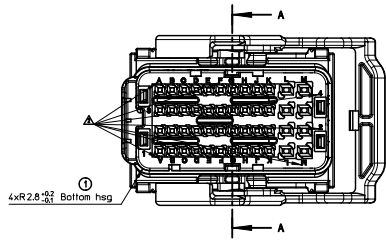
Search Parts in this Series
[64320Series](#)

Mates With
[500762-0481](#) 48 Circuit CMC Header, [36638](#) CMC Header

Use With
 CMC CP Female Terminal [64322](#) , [64323](#).
 Circuit Way Plugs [643251010](#) , [643251023](#).
 CMC Wire Cap [643201301](#). CMC 48 Circuit Header [5007620481](#) , [36638](#) ,

PLEASE CHECK WWW.MOLEX.COM FOR LATEST PART INFORMATION

20 19 18 17 16 15 14 13 12 11 10 9 8 7 6 5 4 3 2 1

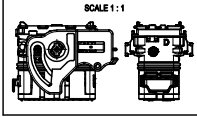
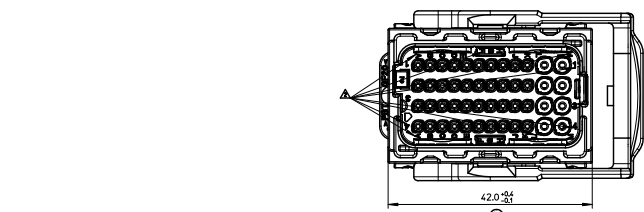
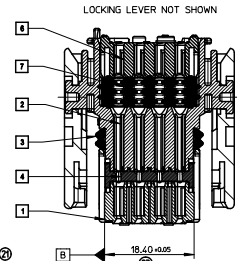
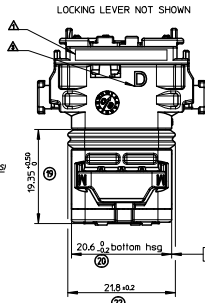
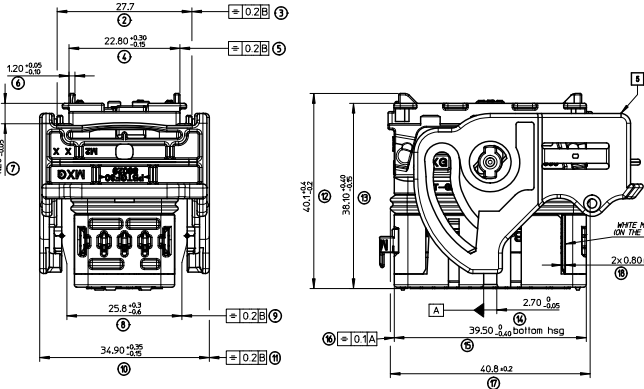


LEFT WIRE OUTPUT

MATERIAL NUMBER	COLOR
064320311	BLACK
064320318	GREY
064320319	BROWN
064320315	GREEN

RIGHT WIRE OUTPUT

MATERIAL NUMBER	COLOR
064320311	BLACK
064320318	GREY
064320319	BROWN
064320315	GREEN



REF.	DESIGNATION	MATERIAL	COLOR
[7]	MAT SEAL	Silicon	BLUE
[8]	BACK GRID 48W	>PBT-GF20+	GREY
[9]	LOCKING LEVER 48W	>PBT-GF30+	BLACK
[10]	SECONDARY LOCK	>PBT-GF20+	GREY
[11]	PERIPHERAL SEAL 48W	Silicon	RED
[12]	BACK PART	>PBT-GF20+	BLACK
[13]	FRONT PART	>PBT-GF20+	COLOR LINKED TO KEYING

MARKINGS:

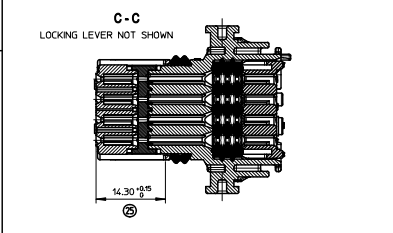
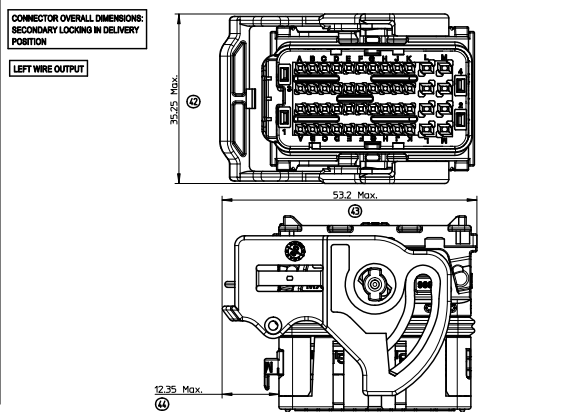
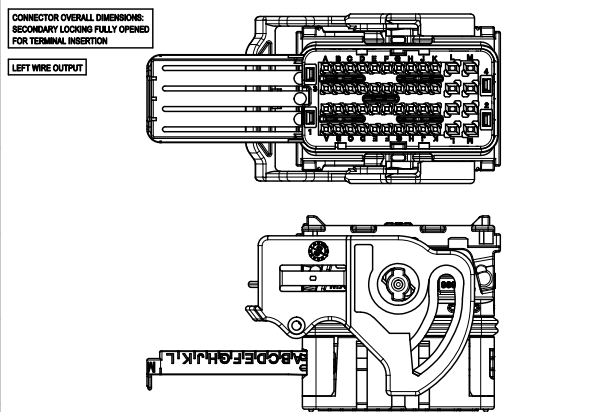
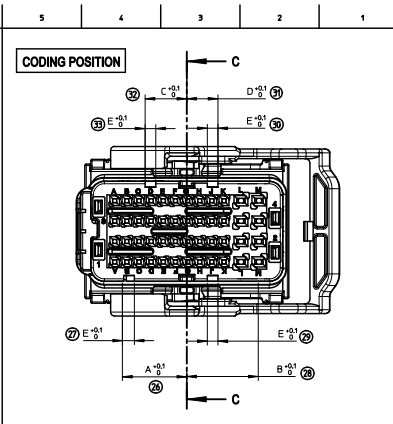
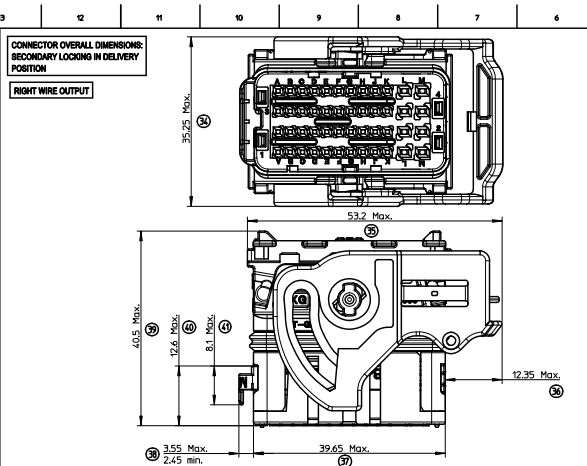
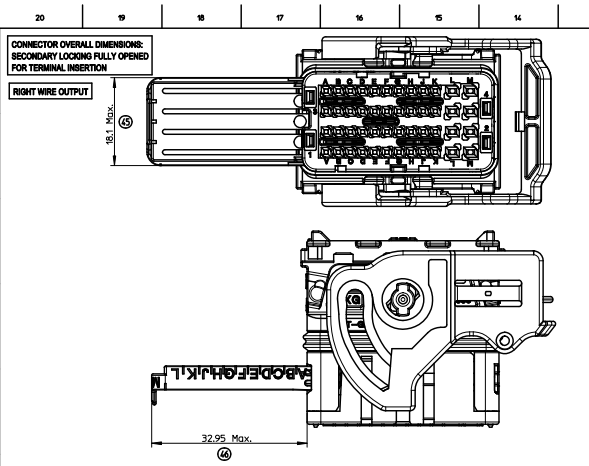
- ▲ - Assembled part traceability Day + Year
- ▲ - Terminal cavities identification
- ▲ - Lever position indicator: 'L' LETTER VISIBLE - part with 'LEVER ON THE RIGHT' 'G' LETTER VISIBLE - part with 'LEVER ON THE LEFT'
- ▲ - Supplier identification
- ▲ - Material identification

NOTES:

- FOR ILLUSTRATION PURPOSE THE FEMALE HOUSING SHOWN IS THE RIGHT WIRE OUTPUT VERSION CODING 1
- APPLICATION SPECIFICATION: AS-64319-001
- WIRES EXTERNAL DIAMETER USED: FOR CP0.6 TERMINAL: USE WIRES WITH AN EXTERNAL DIAMETER BETWEEN Ø1.25MM MIN AND Ø1.90MM MAX FOR CP15 TERMINAL: USE WIRES WITH AN EXTERNAL DIAMETER BETWEEN Ø1.40MM MIN AND Ø2.80MM MAX
- THE CONNECTOR FITS WITH WIRE CAP (48 WAY) MOLEX P/N 064320101
- BLIND PLUG FOR 0.6 AND 15 CAVITIES (MOLEX P/N 0643251010 AND 0643251023) MUST BE USED ON THIS PART.
- DELIVERED PRODUCT WEIGHT: 338 g

UPDATED DRAWING LEAD ENGINEER/SERIES: 2009/06/02 CHK/CDC: BOUCHAN APPR:	GENERAL TOLERANCES (UNLESS SPECIFIED): 4 PLACES ± 0.1 3 PLACES ± 0.1 2 PLACES ± 0.1 1 PLACE ± 0.1 ANGULAR ± 2°	DIMENSION STYLE: MM ONLY SCALE: 2.5:1 DESIGN UNITS: METRIC FIRST ANGLE PROJECTION	DRAWN BY: I. BADAROUX DATE: 2007/07/16 CHECKED BY: F. GRANDCLAUD DATE: 2007/07/16 APPROVED BY: C. BOUCHAN DATE: 2007/07/16	TITLE: CMC CONNECTOR 48 WAY MAT SEAL VERSION MATERIAL NO.: SEE SHEET 2 DOCUMENT NO.: SD-64320-001
	MOLEX INCORPORATED			
	DRAFT WHERE APPLICABLE MUST REMAIN WITHIN DIMENSIONS			
	THIS DRAWING CONTAINS INFORMATION THAT IS PROPRIETARY TO MOLEX INCORPORATED AND SHOULD NOT BE USED WITHOUT WRITTEN PERMISSION			

19 18 17 16 15 14 13 12 11 10 9 8 7 6 5 4 3 2 1



COLOR	CODING	A	B	C	D	E
BLACK	1	13	6.4	8.6	6.4	2.2
GREY	2	10.8	8.6	13	8.6	2.2
BROWN	3	8.6	10.8	13	13	2.2
GREEN	4	10.8	13	6.4	6.4	2.2

TERMINALS USED				
CAVITY #	FEMALE TERMINAL (Pitch mm)	PLATING	MOLEX P/N	min / MAX WIRE BUNDLE DIAMETER (mm)
A1 to K1 A2 to K2 A3 to K3 A4 to K4	CP 0.6 0.35mm ²	Tin plated	0643221019	Ø1.25 min / Ø1.40 Max
	CP 0.6 0.5mm ²	Tin plated	0643221039	Ø1.40 min / Ø1.70 Max
	CP 0.6 0.75mm ²	Tin plated	0643221239	Ø1.60 min / Ø1.90 Max
L1 to L4 H1 to H4	CP 15 0.5mm ² to 1mm ²	Tin plated	0643231029	Ø1.40 min / Ø2.15 Max
	CP 15 1mm ² to 2mm ²	Tin plated	0643231319	Ø2.10 min / Ø2.80 Max
	CP 15 1mm ² to 2mm ²	Gold plated	0643231219	Ø2.10 min / Ø2.80 Max

UPDATED DRAWING
L1: 2009/06/02
D: CHIKOC, BOUCHAN
APPR: [REDACTED]

GENERAL TOLERANCES (UNLESS SPECIFIED):

	mm	INCH
4 PLACES +	±0.1	±0.004
3 PLACES +	±0.15	±0.006
2 PLACES +	±0.2	±0.008
1 PLACE +	±0.3	±0.012

ANGULAR ± 2°

DRAFT WHERE APPLICABLE
MUST REMAIN
WITHIN DIMENSIONS

SEES CHART SH.2

THIS DRAWING CONTAINS INFORMATION THAT IS PROPRIETARY TO MOLEX INCORPORATED AND SHOULD NOT BE USED WITHOUT WRITTEN PERMISSION

MOLEX INCORPORATED

SD-64320-001

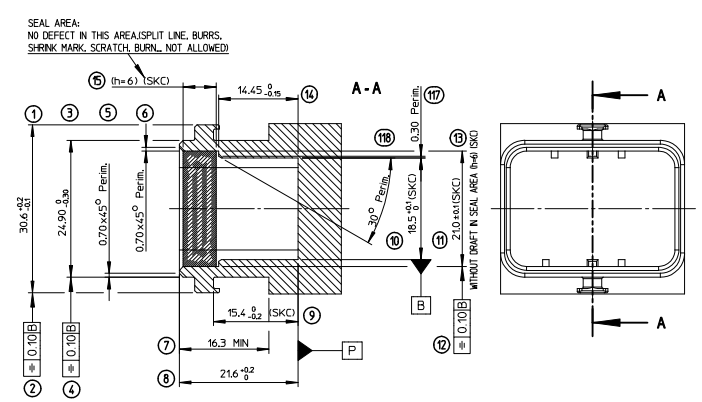
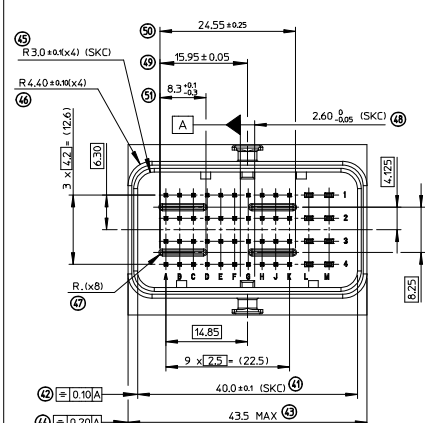
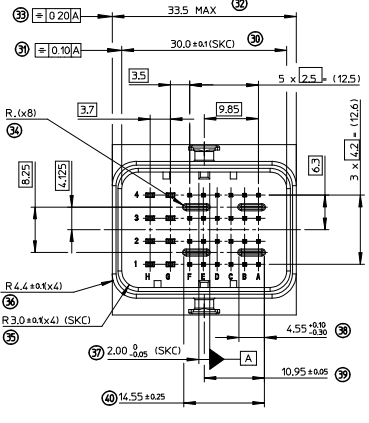
SHEET NO. 2 OF 2

Id. France A1.P.AM.F
Rev. E 2006/04/15

INTERFACE FOR HYBRID MODULE T2 (32 WAY)

INTERFACE FOR HYBRID MODULE T3 (48 WAY)

INTERFACES FOR HYBRID MODULES T2 (32 WAY) AND T3 (48 WAY)



HEADERS CODINGS

(CODING 2 SHOWN)

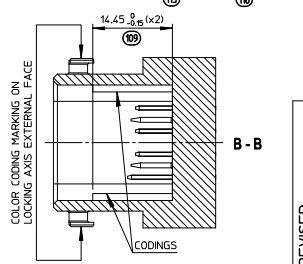
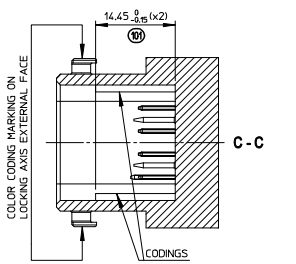
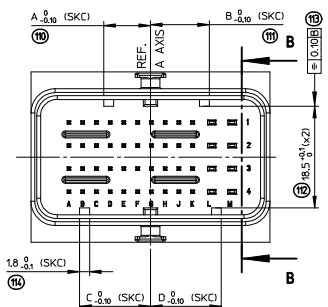
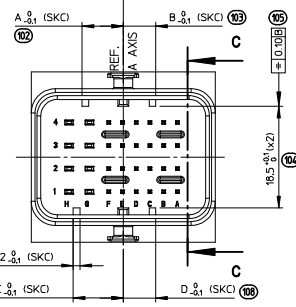
HEADER'S CODINGS FOR MODULE T2 (32W)					
COLOR	CODINGS	DIM. A	DIM. B	DIM. C	DIM. D
BLACK	1	9.1	4.3	5.9	4.3
GREY	2	7.5	5.9	9.1	5.9
BROWN	3	5.9	7.5	9.1	9.1
GREEN	4	7.5	9.1	4.3	4.3
BLUE	5	4.3	7.5	5.9	5.9
YELLOW	6	9.1	7.5	4.3	7.5

(CODING 3 SHOWN)

HEADER'S CODINGS FOR MODULE T3 (48W)					
COLOR	CODINGS	DIM. A	DIM. B	DIM. C	DIM. D
BLACK	1	12.9	6.3	8.5	6.3
GREY	2	10.7	8.5	12.9	8.5
BROWN	3	8.5	10.7	12.9	12.9
GREEN	4	10.7	12.9	6.3	6.3
BLUE	5	6.3	10.7	8.5	8.5
YELLOW	6	12.9	10.7	6.3	10.7

(SKC) SPECIAL KEY CHARACTERISTIC
 QUANTITY PER INDIVIDUAL SHEET
 (SKC) = 20

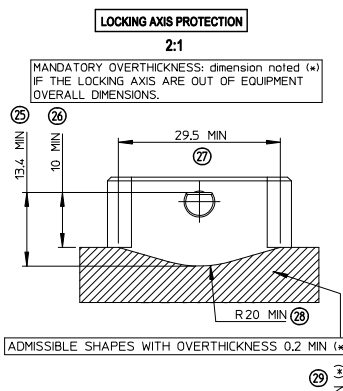
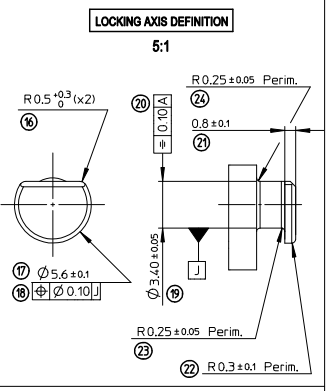
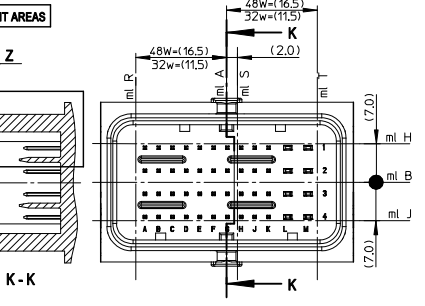
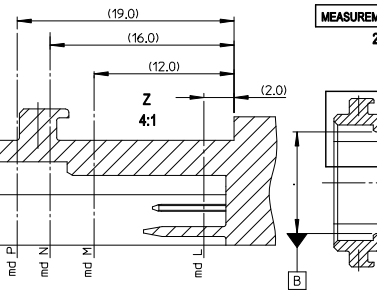
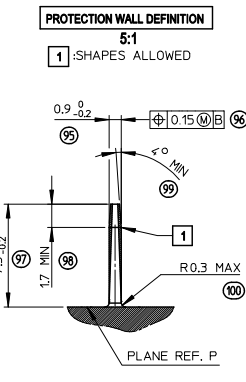
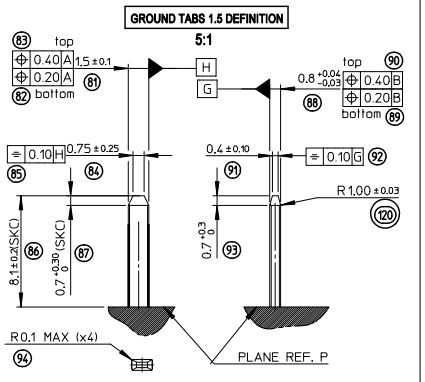
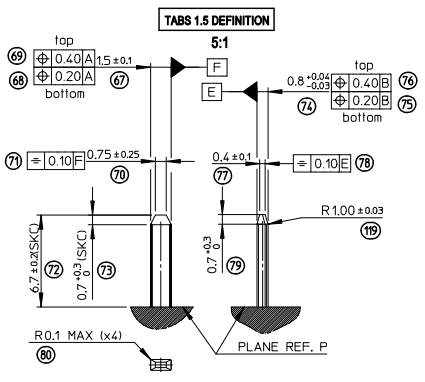
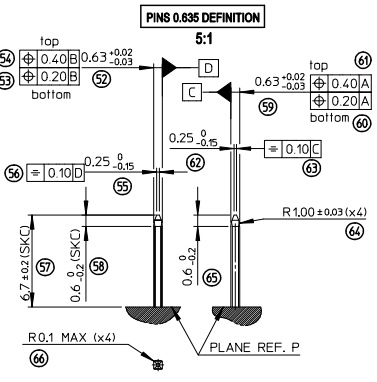
NOTE:
 1- HEADER: ELASTICITY MODULUS: 8000Mpa min.
 (INITIAL CONDITION BEFORE AGEING)



REVISED
 EC NO: G2009-0185
 DRAWN: DESBRUERES 2008/12/10
 CHKD: J. GIURIATO 2008/12/11
 APPR: O.PLESSIS 2008/12/15

GENERAL TOLERANCES (UNLESS SPECIFIED)		DIMENSION STYLE MM ONLY		SCALE 2:1	DESIGN UNITS METRIC	FIRST ANGLE PROJECTION
4 PLACES ± --- ± ---	mm INCH	DRAWN BY G. DESBRUERES	DATE 2008/10/02	TITLE INTERFACES FOR MODULES 32 & 48 CKT CMC GENERIC SALES DRAWING		
3 PLACES ± 0.10 ± ---		CHECKED BY J. GIURIATO	DATE 2008/10/03	MOLEX INCORPORATED		
2 PLACES ± 0.10 ± ---		APPROVED BY O. PLESSIS	DATE 2008/10/06	DOCUMENT NO. SD-98644-006		
1 PLACE ± 0.10 ± ---		MATERIAL NO. N/A		SHEET NO. 1 OF 3		
ANGULAR ± 2 °		DRAFT WHERE APPLICABLE MUST REMAIN WITHIN DIMENSIONS		THIS DRAWING CONTAINS INFORMATION THAT IS PROPRIETARY TO MOLEX INCORPORATED AND SHOULD NOT BE USED WITHOUT WRITTEN PERMISSION		

13 12 11 10 9 8 7 6 5 4 3 2 1



T2 (32W)			
POS N°	NOMINAL DIM.	MEASURE LINE	MEASURE DEPTH
1	30.6 +0.20/-0.10		
3	24.9 0/-0.30	A, R, T	M, P
	24.5 MIN	A, R, T	L
	24.9 MAX		
8	21.6 +0.20/0	MIN / MAX	
10	18.5 +0.10/0	A	L, M
11	21.0 +0.10	A, R, S, T	N, P
	20.8 MIN	R, S, T	L
	21.1 MAX		
30	30 ± 0.10	B, H, J	N, P
	29.8 MIN	B, H, J	L
	30.1 MAX		
32	33.5 MAX	B, H, J	P
35	R3.0 ± 0.10		L, N, P
37	2.0 0/-0.05		L, M
102-103-107-108	SEE CHART SHEET 1	CODING	L, M
104	18.5 +0.10/0	CODING	L, M
106	1.2 0/-0.10	CODING	L, M

T3 (48W)			
POS N°	NOMINAL DIM.	MEASURE LINE	MEASURE DEPTH
1	30.6 +0.20/-0.10		
3	24.9 0/-0.30	A, R, T	M, P
	24.5 MIN	A, R, T	L
	24.9 MAX		
8	21.6 +0.20/0	MIN / MAX	
10	18.5 +0.10/0	A	L, M
11	21.0 +0.10	A, R, S, T	N, P
	20.8 MIN	R, S, T	L
	21.1 MAX		
41	40 ± 0.10	B, H, J	N, P
	39.8 MIN	B, H, J	L
	40.1 MAX		
43	43.5 MAX	B, H, J	P
45	R3.0 ± 0.10		L, N, P
48	2.6 0/-0.05		L, M
110-111-115-116	SEE CHART SHEET 1	CODING	L, M
112	18.5 +0.10/0	CODING	L, M
114	1.8 0/-0.10	CODING	L, M

MEASUREMENT CHARTS FOR INTERFACES SIZES T2 / T3

(SKC) SPECIAL KEY CHARACTERISTIC QUANTITY PER INDIVIDUAL SHEET (SKC) = 6

REVISED
EC NO. G2009-0185
DRAWN: DESBRUERES 2008/12/10
CHKD: J. GIURIATO 2008/12/11
APPR: O.PLESSIS 2009/12/15

GENERAL TOLERANCES (UNLESS SPECIFIED)
4 PLACES ± --- ± ---
3 PLACES ± --- ± ---
2 PLACES ± 0.10 ± ---
1 PLACE ± 0.10 ± ---
ANGULAR ± 2 °
DRAFT WHERE APPLICABLE MUST REMAIN WITHIN DIMENSIONS

DIMENSION STYLE MM ONLY
SCALE 1:1
DESIGN UNITS METRIC
DRAWN BY G. DESBRUERES 2008/10/02
DATE
CHECKED BY J. GIURIATO 2008/10/03
DATE
APPROVED BY O.PLESSIS 2008/10/06
DATE
MATERIAL NO. N/A
DOCUMENT NO. SD-98644-006

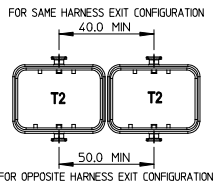
FIRST ANGLE PROJECTION
TITLE INTERFACES FOR MODULES 32 & 48 CKT CMC
GENERIC SALES DRAWING
MOLEX INCORPORATED
SHEET NO. 2 OF 3

ib_frame_A2_P_AM_F Rev. E 2006/04/15

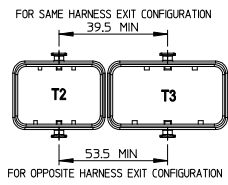
CONNECTOR ON HEADER - OVERALL DIMENSIONS

MULTI-HEADERS LAYOUT

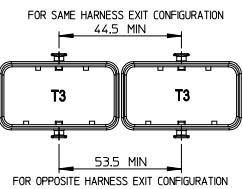
LAYOUT FOR TWO INTERFACES T2 (32W)



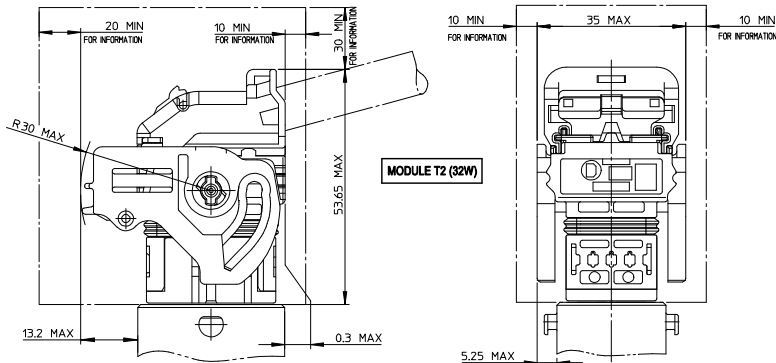
LAYOUT FOR TWO INTERFACES T2 (32W) AND T3 (48W)



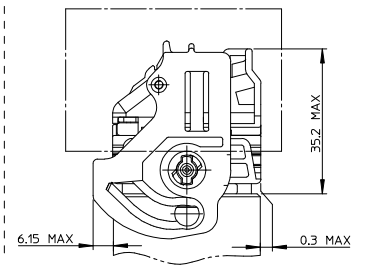
LAYOUT FOR TWO INTERFACES T3 (48W)



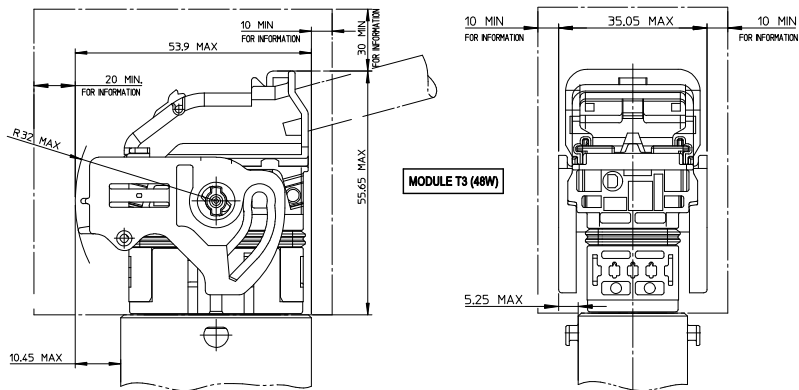
UNLOCKED CONNECTOR - OVERALL DIMENSIONS



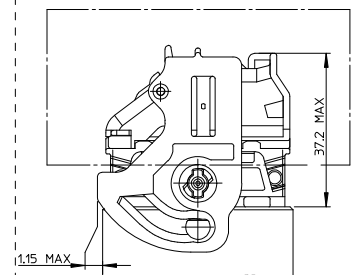
LOCKED CONNECTOR - OVERALL DIMENSIONS



UNLOCKED CONNECTOR - OVERALL DIMENSIONS



LOCKED CONNECTOR - OVERALL DIMENSIONS



LEGEND:

FREE VOLUME FOR MANUAL LOCKING AND UNLOCKING DIMENSIONS GIVEN FOR INFORMATION ONLY TO BE CONFIRMED BASED UPON VEHICLE CONFIGURATION.

(SKC) SPECIAL KEY CHARACTERISTIC
QUANTITY PER INDIVIDUAL SHEET
(SKC) = 0

NOTE:
1- T2 = 32 WAY / T3 = 48 WAY

REVISED
EC NO: G2009-0185
DRAWN BY: BRUNIERES 2008/12/10
CHKD: J. GIURIATO 2008/12/11
APPR: PLESSIS 2008/12/15

DESCRIPTION

GENERAL TOLERANCES (UNLESS SPECIFIED)

	mm	INCH
4 PLACES	± 0.10	± 0.004
3 PLACES	± 0.15	± 0.006
2 PLACES	± 0.20	± 0.008
1 PLACE	± 0.30	± 0.012
ANGULAR ± 2°		

DRAFT WHERE APPLICABLE
MUST REMAIN WITHIN DIMENSIONS

DIMENSION STYLE

MM ONLY	DATE	TITLE
DRAWN BY	G. DESBRUERES 2008/10/02	INTERFACES FOR MODULES 32 & 48 CKT CMC
CHECKED BY	J. GIURIATO 2008/10/03	GENERIC SALES DRAWING
APPROVED BY	O. PLESSIS 2008/10/06	MOLEX INCORPORATED

SCALE

1:1

DESIGN UNITS

METRIC

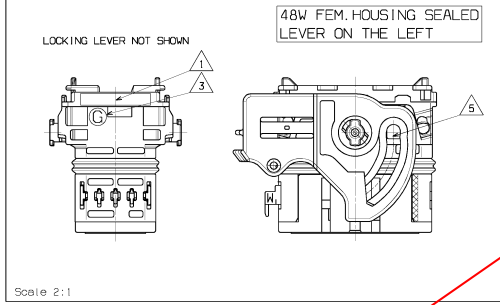
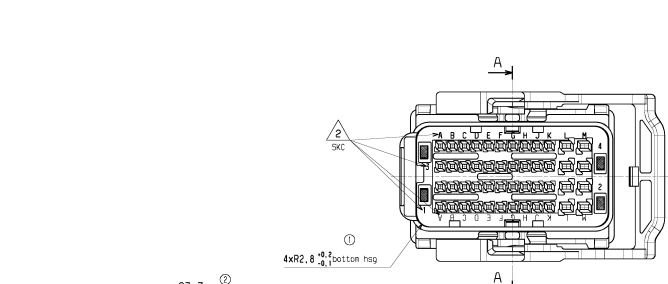
FIRST ANGLE PROJECTION

MATERIAL NO. N/A

DOCUMENT NO. SD-98644-006

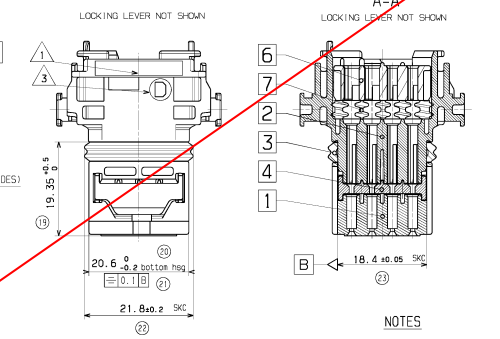
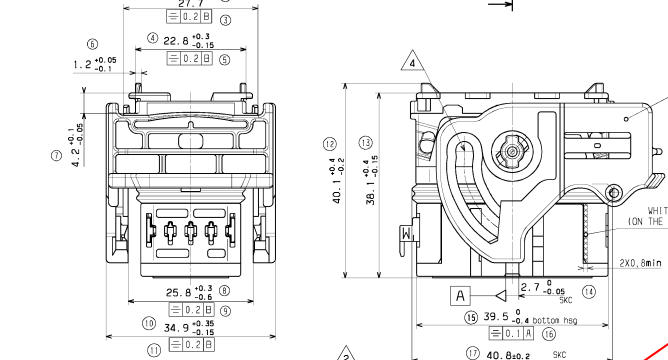
THIS DRAWING CONTAINS INFORMATION THAT IS PROPRIETARY TO MOLEX INCORPORATED AND SHOULD NOT BE USED WITHOUT WRITTEN PERMISSION

20 19 18 17 16 15 14 13 12 11 10 9 8 7 6 5 4 3 2 1



LEVER ON THE LEFT

MATERIAL NUMBER	COLOR
0643201311	BLACK
0643201318	GREY
0643201319	BROWN
0643201315	GREEN
	BLUE
	YELLOW



LEVER ON THE RIGHT

MATERIAL NUMBER	COLOR
0643203311	BLACK
0643203318	GREY
0643203319	BROWN
0643203315	GREEN
	BLUE
	YELLOW

SKC: OS CHARACTERISTICS

- SKC: OS CHARACTERISTICS
- ☒ DENOTES S.P.C DIMENSIONS
- DENOTES CRITICAL DIMENSIONS
- DENOTES FUNCTIONAL DIMENSIONS
- QUANTITY PER INDIVIDUAL SHEET
- 0 ● 0 SKC: 13

0989930396	7	MATT SEAL	SILICONE	SKC	BLUE
0989930356	6	BACK GRID 48 WAY	PBT-GF20	SKC	BLUE
0989930341	5	LOCKING LEVER SIZE 3	PBT-GF30	SKC	BLACK
0989930338	4	SECONDARY LOCK	PBT-GF20	SKC	GREY
0986560002	3	PERIPHERAL SEAL SIZE 3	SILICONE	SKC	RED
0989930311	2	BACK PART	PBT-GF20	SKC	BLACK
0989930321	1	FRONT PART	PBT-GF20	SKC	COLOR ASSOCIATED TO KEYING
0989930328					
0989930325					
0989930329					
MATERIAL NUMBER	MARK	DESIGNATION	MATERIAL		COLOR

MARKINGS

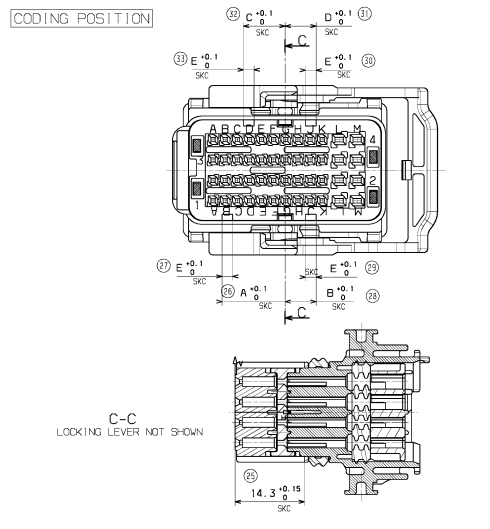
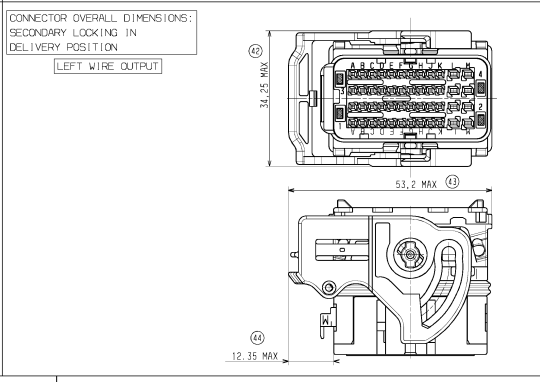
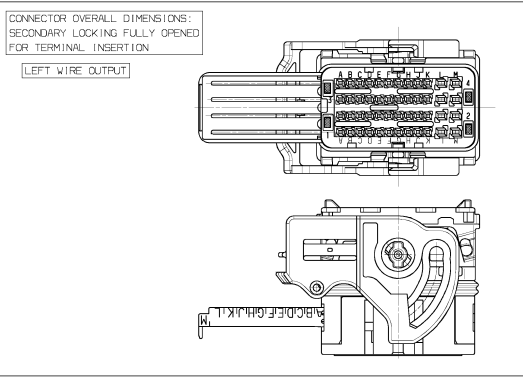
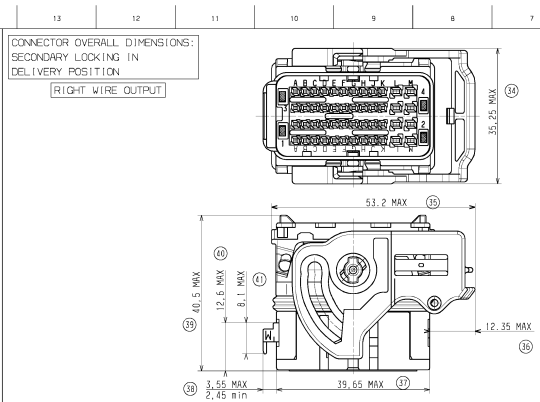
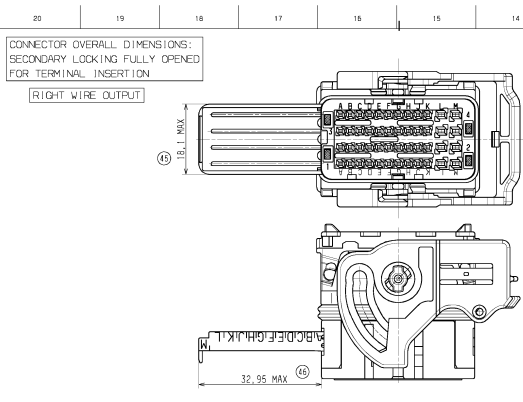
- ▲ Assembled part traceability "day + year"
- ▲ Terminal cavities identification
- ▲ Lever position indicator: "D" LETTER VISIBLE = part with "LEVER ON THE RIGHT" "G" LETTER VISIBLE = part with "LEVER ON THE LEFT"
- ▲ Supplier identification
- ▲ Material identification

VOID AND SUPERSEDED BY SD-64320-001 rev C

- NOTES
- 1-FOR ILLUSTRATION PURPOSE THE FEMALE HOUSING SHOWN IS THE RIGHT WIRE OUTPUT VERSION CODING 1
 - 2-INTERFACE DEFINITION, OVERALL DIMENSION AND LOCATION ON HEADER AS PER RSD-98644-005
 - 3-UNLESS TERMINAL SPECIFICATION IS GIVEN
 - 4-WIRES EXTERNAL DIAMETER USED: FOR CP0,5 TERMINAL: USE WIRES WITH AN EXTERNAL DIAMETER BETWEEN Ø1,25MM MIN AND Ø1,50MM MAX FOR CP1,5 TERMINAL: USE WIRES WITH AN EXTERNAL DIAMETER BETWEEN Ø1,80MM MIN AND Ø2,80MM MAX
 - 7-THE CONNECTOR FITS WITH WIRE CAP T3 (48WAY) MOLEX P/N 0643201301
 - 8-BLIND PLUG FOR 0,6 AND 1,5 CAVITIES (MOLEX P/N 0643251010 AND 0643251023) MUST BE USED ON THIS PART
 - 9-DELIVERED PRODUCT WEIGHT: 33,8 g

GENERAL TOLERANCES (UNLESS SPECIFIED)		DIMENSION STYLE		SCALE	DESIGN UNITS	FIRST ANGLE PROJECTION
PLACES	mm	INCH	DATE	2,5:1	METRIC	
4	±	±	2007/07/15			
3	±	±	2007/07/15			
2	± 0,1	±	2007/07/15			
1	± 0,1	±	2007/07/15			
ANGULAR ± 2°						
DRAWN BY: TBADAROUX		DATE: 2007/07/15		CMC CONNECTOR 48 WAY MATT SEAL VERSION		
CHECKED BY: PRGRANDCLAUDE		DATE: 2007/07/15		MOLEX INCORPORATED		
APPROVED BY: CBOUCHAN		DATE: 2007/07/15		MATERIAL NO: SD-98993-008		
DOCUMENT NO: SD-98993-008		SHEET NO: 1 OF 2				
DRAFT WHERE APPLICABLE MUST REMAIN WITHIN DIMENSIONS		SEE CHART		THIS DRAWING CONTAINS INFORMATION THAT IS PROPRIETARY TO MOLEX INCORPORATED AND SHOULD NOT BE USED WITHOUT WRITTEN PERMISSION		

col:Frame_A1_P1_A4_F Rev. D 2004/06/28 19 18 17 16 15 14 13 12 11 10 9 8 7 6 5 4 3 2 1



COLOR	KEYING	A ^{±0.1}	B ^{±0.1}	C ^{±0.1}	D ^{±0.1}	E ^{±0.1}
BLACK	1	13	6,4	8,6	6,4	2,2
GREY	2	10,8	8,6	13	8,6	2,2
BROWN	3	8,6	10,8	13	13	2,2
GREEN	4	10,8	13	6,4	6,4	2,2
BLUE	5	6,4	10,8	8,6	8,6	2,2
YELLOW	6	13	10,8	6,4	10,8	2,2

TERMINALS USED	MOLEX PART NUMBER			
	TIN PLATED TERMINAL		GOLD PLATED TERMINAL 1.27µm min	
FEMALE TERMINAL 0.635 A1 to F1 A2 to F2 A3 to F3 A4 to F4	(0,35 to 0,44 mm ²)	(0,5 mm ²)	(0,35 to 0,44 mm ²)	(0,5 mm ²)
	0643221019	0643221039	0643221229	0643221239
		(0,75 mm ²)		(0,75 mm ²)
		0643221029		0643221219
FEMALE TERMINAL 1.50 G1 to G4 H1 to H4	(1 mm ²)	(>1 to 2 mm ²)	(1 mm ²)	(>1 to 2 mm ²)
	0643231029	0643231039	0643231319	0643231219

SKC: CS CHARACTERISTICS
 X DENOTES S.P.C DIMENSIONS
 ⊕ DENOTES CRITICAL DIMENSIONS
 ● DENOTES FUNCTIONAL DIMENSIONS
 QUANTITY PER INDIVIDUAL SHEET
 X 0 1 2 3 SKC: 9

UPDATED DRAWING
 EC NO. 02004-0367
 DRAWN: TBADAROUX 2008/04/21
 CHK'D: PGRANDCLAUDE 2008/04/21
 APPROVED: CROUCHAN 2008/04/21

GENERAL TOLERANCES (UNLESS SPECIFIED)
 4 PLACES ±
 3 PLACES ±
 2 PLACES ± 0.1 ±
 1 PLACE ± 0.1 ±
 ANGULAR ± 2°

DRAFT WHERE APPLICABLE
 MUST REMAIN
 WITHIN DIMENSIONS

DIMENSION STYLE
 MM ONLY

SCALE
 2:1 METRIC

DESIGN UNITS
 METRIC

FIRST ANGLE PROJECTION

TITLE
 CMC CONNECTOR 48 WAY
 MATT SEAL VERSION

MOLEX INCORPORATED

MATERIAL NO.
 SEE SHEET 1

DOCUMENT NO.
 SD-98993-008

SHEET NO.
 2 OF 2

THIS DRAWING CONTAINS INFORMATION THAT IS PROPRIETARY TO MOLEX INCORPORATED AND SHOULD NOT BE USED WITHOUT WRITTEN PERMISSION