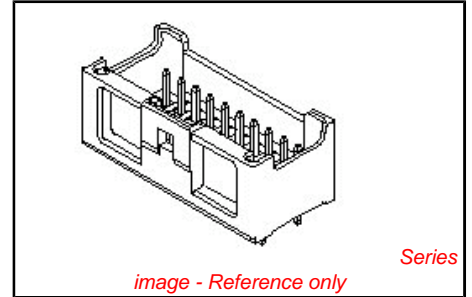


**PLEASE CHECK WWW.MOLEX.COM FOR LATEST PART INFORMATION**

**Part Number:** [0559171010](#)  
**Status:** **Active**  
**Overview:** [microclasp](#)  
**Description:** 2.00mm (.079") Pitch MicroClasp™ Wire-to-Board Header, Dual Row, Vertical, 10 Circuits, with PCB Locator

**Documents:**

<a href="#">3D Model</a>	<a href="#">Product Specification PS-51353-010 (PDF)</a>
<a href="#">Drawing (PDF)</a>	<a href="#">RoHS Certificate of Compliance (PDF)</a>
<a href="#">Product Specification PS-51353-003 (PDF)</a>	



**Agency Certification**

UL E29179

**General**

Product Family	PCB Headers
Series	<a href="#">55917</a>
Application	Wire-to-Board
Overview	<a href="#">microclasp</a>
Product Name	MicroClasp™

**Physical**

Breakaway	No
Circuits (Loaded)	10
Circuits (maximum)	10
Color - Resin	Natural
Durability (mating cycles max)	30
First Mate / Last Break	No
Flammability	94V-0
Glow-Wire Compliant	No
Guide to Mating Part	No
Keying to Mating Part	None
Lock to Mating Part	Yes
Material - Plating Mating	Tin
Material - Plating Termination	Tin
Material - Resin	Polyester
Number of Rows	2
Orientation	Vertical
PC Tail Length (in)	0.126 In
PC Tail Length (mm)	3.20 mm
PCB Locator	Yes
PCB Retention	Yes
PCB Thickness Recommended (in)	0.062 In
PCB Thickness Recommended (mm)	1.60 mm
Packaging Type	Tray
Pitch - Mating Interface (in)	0.079 In
Pitch - Mating Interface (mm)	2.00 mm
Shrouded	Fully
Stackable	No
Surface Mount Compatible (SMC)	No
Temperature Range - Operating	-25°C to +85°C
Termination Interface: Style	Through Hole

**Electrical**

Current - Maximum per Contact	3A
Voltage - Maximum	250V

<p><b>EU RoHS</b>  <b>ELV and RoHS</b>  <b>Compliant</b>  <b>REACH SVHC</b>  <b>Contains SVHC: No</b>  <b>Halogen-Free</b>  <b>Status</b>  <b>Not Halogen-Free</b></p>	<p><b>China RoHS</b></p>
--	--------------------------

**Need more information on product environmental compliance?**

Email [productcompliance@molex.com](mailto:productcompliance@molex.com)  
 For a multiple part number RoHS Certificate of Compliance, [click here](#)

Please visit the [Contact Us](#) section for any non-product compliance questions.

**Search Parts in this Series**  
[55917Series](#)

**Mates With**  
[51353 MicroClasp™ Wire-to-Board Receptacle Housing](#)

## Material Info

### Reference - Drawing Numbers

Packaging Specification  
Product Specification

SPK-55917-001  
PS-51353-003, PS-51353-010, RPS-51353-005,  
RPS-51353-008, RPS-51353-009, RPS-51353-010,  
RPS-51353-013, RPS-51353-014, RPS-51353-015,  
RPS-51353-016, RPS-51353-019, RPS-51353-020,  
RPS-51353-021, RPS-51353-022, RPS-51353-023,  
RPS-51353-024, RPS-51353-025, RPS-51353-026,  
RPS-51353-028, RPS-51353-030, RPS-51353-031  
SD-55917-003

Sales Drawing

This document was generated on 06/07/2010

**PLEASE CHECK [WWW.MOLEX.COM](http://WWW.MOLEX.COM) FOR LATEST PART INFORMATION**

DWG. NO. SD-55917-003

回路番号1  
CKT. NO.1

キャビティー番号  
CAV. NO. C+0.3

ピッチ  
(PITCH)

径  
 $\phi 0.6$  X Y

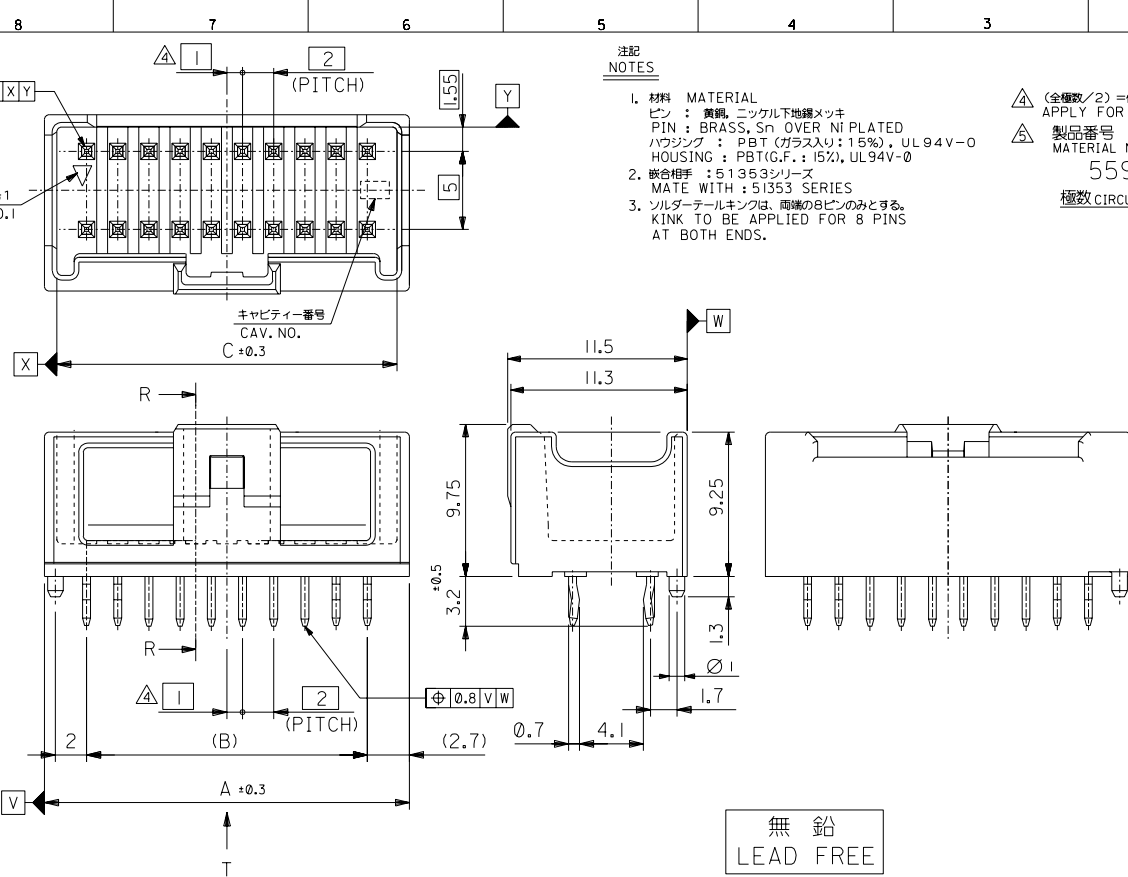
径  
 $\phi 0.8$  V W

注記  
NOTES

1. 材料 MATERIAL  
ピン : 黄銅, ニッケル下地鍍メッキ  
PIN : BRASS, Sn OVER NI PLATED  
ハウジング : PBT (ガラス入り: 15%), UL94V-0  
HOUSING : PBT (G.F.: 15%), UL94V-0
2. 嵌合相手 : 51353シリーズ  
MATE WITH : 51353 SERIES
3. ソルダータールキンは、両端の6ピンのみとする。  
KINK TO BE APPLIED FOR 6 PINS AT BOTH ENDS.

△ (全種数/2) = 偶数の場合に適用。  
APPLY FOR (CIRCUIT/2)=EVEN  
製品番号  
MATERIAL NO.  
55917-\*\*\* | \*  
極数 CIRCUIT SIZE | 色 COLOR

ナチュラル (白) NATURAL (WHITE)	0
黒 BLACK	1
赤 RED	2
黄 YELLOW	3
青 BLUE	4
桃 PINK	5
緑 GREEN	6
茶 BROWN	7
橙 ORANGE	8
紫 VIOLET	9



無鉛  
LEAD FREE

41.8	38	43.4	55917-401*	40
39.8	36	41.4	-381*	38
37.8	34	39.4	-361*	36
35.8	32	37.4	-341*	34
33.8	30	35.4	-321*	32
31.8	28	33.4	-301*	30
29.8	26	31.4	-281*	28
27.8	24	29.4	-261*	26
25.8	22	27.4	-241*	24
23.8	20	25.4	-221*	22
21.8	18	23.4	-201*	20
19.8	16	21.4	-181*	18
17.8	14	19.4	-161*	16
15.8	12	17.4	-141*	14
13.8	10	15.4	-121*	12
11.8	8	13.4	-101*	10
9.8	6	11.4	55917-081*	8
C	B	A	△ MATERIAL NO. CKT.	

DO NOT SCALE DRAWING

REVISED	E32NO. J2003-3290 DRAWN: ITO '03/06/26 CHK: K. ASAKAWA APPRT: Y. AMAGUCHI
REVISED	E33NO. J2003-3134 DRAWN: ITO '03/06/19 CHK: K. ASAKAWA APPRT: Y. AMAGUCHI
REVISED	E32NO. J2002-2307 DRAWN: ITO '02/03/18 CHK: K. ASAKAWA APPRT: Y. AMAGUCHI
REVISED	E31NO. J2002-1826 DRAWN: ITO '02/02/28 CHK: K. ASAKAWA APPRT: Y. AMAGUCHI
RELEASED	E30NO. J2002-1196 DRAWN: ITO '01/12/17 CHK: K. ASAKAWA APPRT: Y. AMAGUCHI
REV	DESCRIPTION
WIRE RANGE	適用電線範囲
INS. RANGE	被覆外径
MATERIAL	材料
FINISH	仕上付
WIRE RANGE	適用電線範囲
INS. RANGE	被覆外径

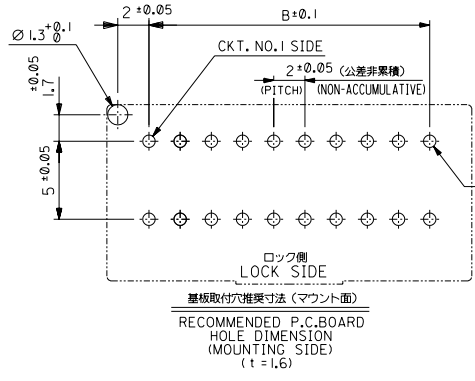
GENERAL TOLERANCES: (UNLESS SPECIFIED)	SCALE	DESIGN UNITS
10 UNDER 未満	1:1	mm
10 OVER 以上	1:1	mm
30 UNDER 未満	1:1	mm
30 OVER 以上	1:1	mm
ANGLE 角度	1:1	mm

55917-***	MODEL NO.
SCALE	DESIGN UNITS
DRAWN BY & DATE	N.ITO '01/12/17
CHECKED BY & DATE	K.ASAKAWA '03/06/26
APPROVED BY & DATE	T.YAMAGUCHI '03/06/26
CAD FILENAME	55917003.S01

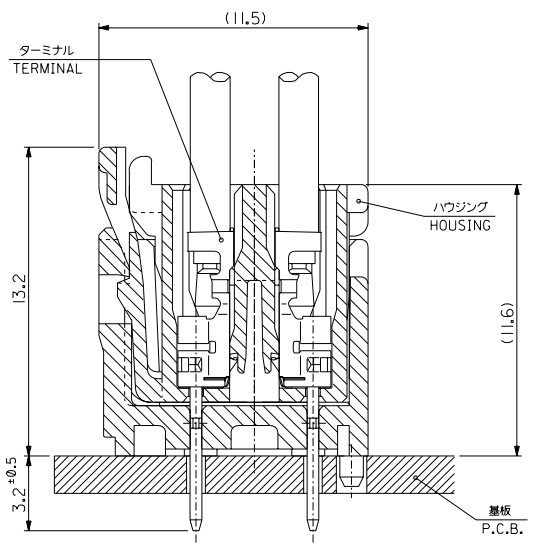
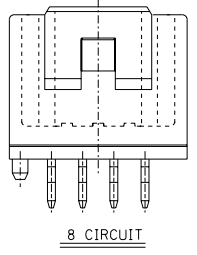
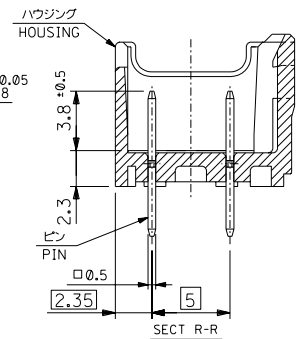
TITLE:	2.0mm W-t-B DUAL CONN DIP PLUG HOUSING ASS'Y ST (WITH BOSS)
MATERIAL NO.	SEE CHART
DRAWING NO.	SD-55917-003
SHEET NO.	1 OF 2
SIZE	B
INCORPORATED AND SHOULD NOT BE USED WITHOUT WRITTEN PERMISSION.	

EN-02J(097) MXJ-54

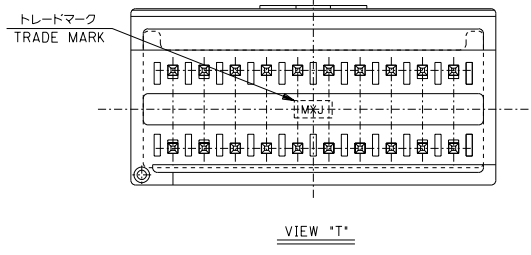
DWG. NO. SD-55917-003



ロック側  
LOCK SIDE  
基板取付穴推奨寸法 (マウント面)  
RECOMMENDED P.C.B. BOARD  
HOLE DIMENSION  
(MOUNTING SIDE)  
(t=1.6)



嵌合断面図 (参考)  
MATED DRAWING (REF.)



無鉛  
LEAD FREE

DO NOT SCALE DRAWING

REVISED E32NO. J2003-3290 DRAWN: ITO '03/06/26 CHK: K. ASAKAWA APPRT: YAMAGUCHI	REVISED E33NO. J2003-3134 DRAWN: ITO '03/06/19 CHK: K. ASAKAWA APPRT: YAMAGUCHI	REVISED E32NO. J2002-2307 DRAWN: ITO '02/07/18 CHK: K. ASAKAWA APPRT: YAMAGUCHI	REVISED E31NO. J2002-1826 DRAWN: ITO '02/02/28 CHK: K. ASAKAWA APPRT: YAMAGUCHI	RELEASED E30NO. J2002-1196 DRAWN: ITO '01/12/17 CHK: K. ASAKAWA APPRT: YAMAGUCHI
D	C	B	A	0

MATERIAL 材料	注記参照 SEE NOTES
FINISH 仕上り	//
WIRE RANGE 適用電線範囲	//
INS. RANGE 被覆外径	//

GENERAL TOLERANCES: (UNLESS SPECIFIED) 一般公差	SCALE 4:1	DESIGN UNITS mm INCH	DRAWN BY & DATE N. ITO '01/12/17	CHECKED BY & DATE K. ASAKAWA '03/06/26	APPROVED BY & DATE T. YAMAGUCHI '03/06/26	CAD FILENAME 55917003.S02
10 UNDER 未満	+0.2					
10 OVER 以上	+0.25					
30 OVER 以上	+0.3					
ANGLE 角度	+3°					

55917-***	MODEL NO.	DIMENSIONS: mm INCH mm ONLY	SHT 2 OF 2	REV B
	2.0mm W-t-B DUAL CONN DIP PLUG HOUSING ASS'Y ST (WITH BOSS)			
	MATERIAL NO. SEE CHART	DRAWING NO. SD-55917-003		
TITLE: 2.0mm W-t-B DUAL CONN DIP PLUG HOUSING ASS'Y ST (WITH BOSS)				
MOLLEX INCORPORATED				
DRAWING CONTAINS INFORMATION THAT IS PROPRIETARY TO MOLEX INCORPORATED AND SHOULD NOT BE USED WITHOUT WRITTEN PERMISSION.				
EN-02J(097) MXJ-54				