

PLEASE CHECK WWW.MOLEX.COM FOR LATEST PART INFORMATION

Part Number: [0541020404](#)
Status: **Active**
Description: 0.50mm (.020") Pitch SlimStack™ Receptacle, Surface Mount, Dual Row, Vertical, 2.50mm (.098") Stacking Height, Gold Plating with Nickel Barrier, 40 Circuits

Documents:

[3D Model](#) [Product Specification PS-54102-011 \(PDF\)](#)
[Drawing \(PDF\)](#) [RoHS Certificate of Compliance \(PDF\)](#)

General

Product Family PCB Receptacles
 Series [54102](#)
 Application Board-to-Board
 Product Name SlimStack™

Physical

Circuits (Loaded) 40
 Color - Resin Black
 Durability (mating cycles max) 30
 Glow-Wire Compliant No
 Lock to Mating Part Yes
 Mated Height (in) 0.098 In
 Mated Height (mm) 2.50 mm
 Material - Metal Phosphor Bronze
 Material - Plating Mating Gold
 Material - Plating Termination Gold
 Number of Rows 2
 Orientation Vertical
 PCB Locator No
 PCB Retention None
 Packaging Type Embossed Tape on Reel
 Pitch - Mating Interface (in) 0.020 In
 Pitch - Mating Interface (mm) 0.50 mm
 Polarized to Mating Part No
 Polarized to PCB No
 Stackable No
 Temperature Range - Operating -40°C to +85°C
 Termination Interface: Style Surface Mount

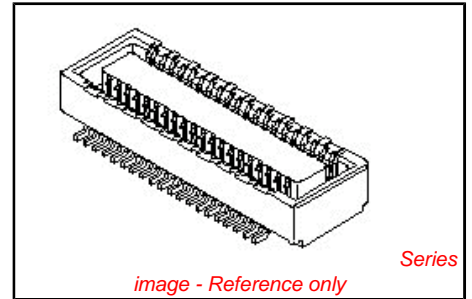
Electrical

Current - Maximum per Contact 0.5A
 Voltage - Maximum 50V

Material Info

Reference - Drawing Numbers

Packaging Specification SPK-54102-001
 Product Specification PS-54102-011, RPS-54102-013, RPS-54102-015
 Sales Drawing SD-54102-006, SD-54102-007



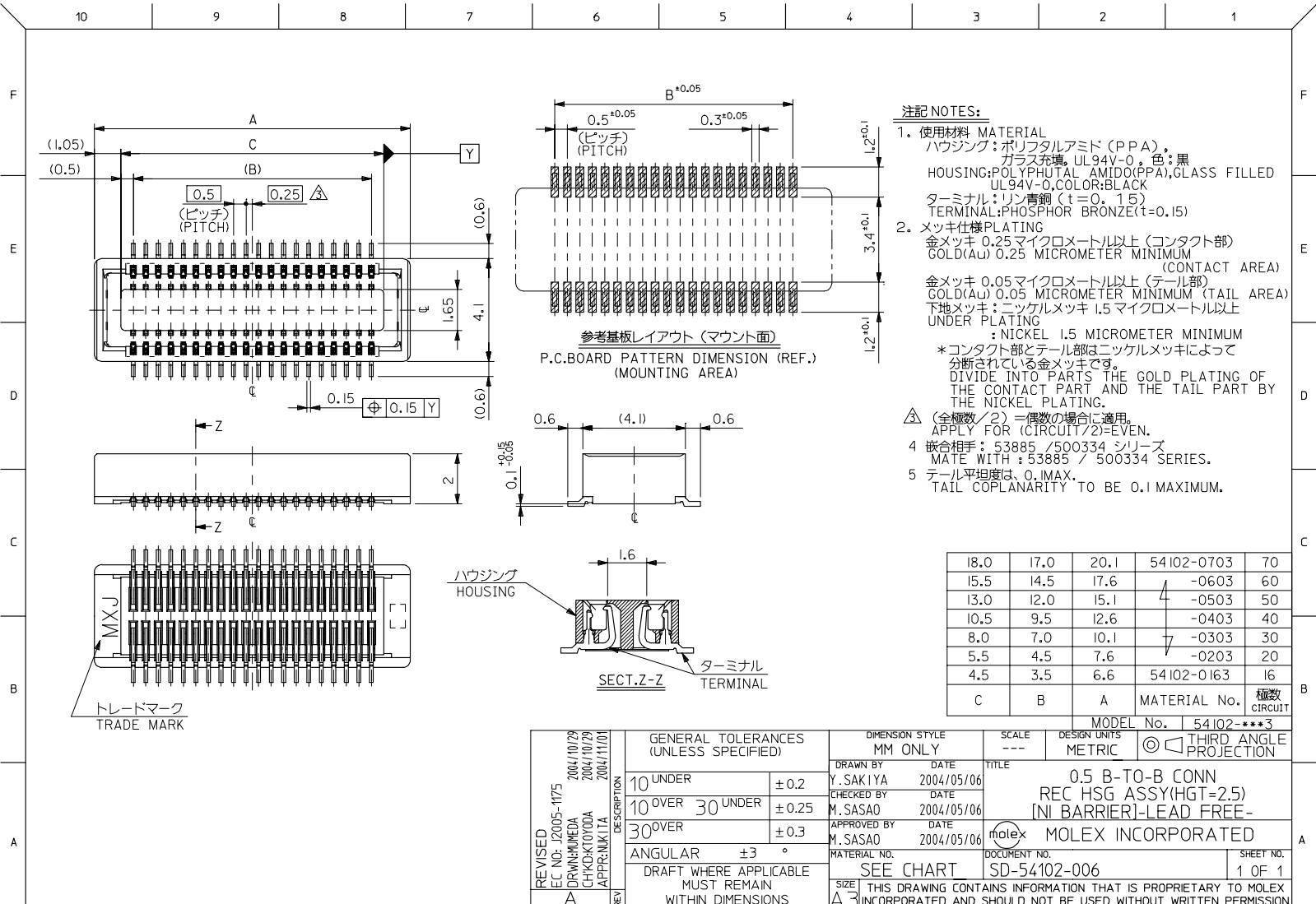
<p>EU RoHS ELV and RoHS Compliant REACH SVHC Contains SVHC: No Halogen-Free Status Not Reviewed</p>	<p>China RoHS</p>
--	--------------------------

Need more information on product environmental compliance?
 Email productcompliance@molex.com
 For a multiple part number RoHS Certificate of Compliance, [click here](#)
 Please visit the [Contact Us](#) section for any non-product compliance questions.

Search Parts in this Series
[54102Series](#)

Mates With
[53885 PCB Header](#)

PLEASE CHECK WWW.MOLEX.COM FOR LATEST PART INFORMATION



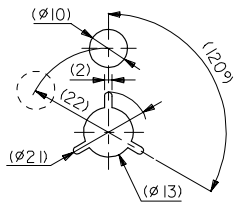
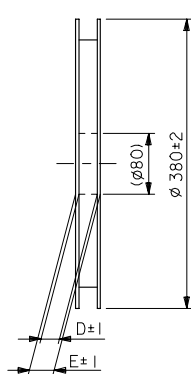
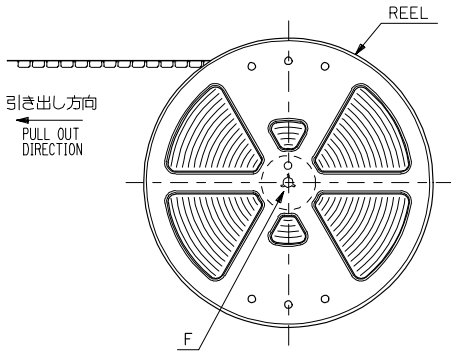
注記 NOTES:

1. 使用材料 MATERIAL
 ハウジング: ポリフタルアミド (PPA), ガラス充填, UL94V-0, 色: 黒
 HOUSING: POLYPHTHAL AMIDO (PPA), GLASS FILLED UL94V-0, COLOR: BLACK
 ターミナル: リン青銅 (t=0.15)
 TERMINAL: PHOSPHOR BRONZE (t=0.15)
2. メッキ仕様 PLATING
 金メッキ 0.25 マイクロメートル以上 (コンタクト部)
 GOLD(AU) 0.25 MICROMETER MINIMUM (CONTACT AREA)
 金メッキ 0.05 マイクロメートル以上 (テール部)
 GOLD(AU) 0.05 MICROMETER MINIMUM (TAIL AREA)
 下地メッキ: ニッケルメッキ 1.5 マイクロメートル以上
 UNDER PLATING: NICKEL 1.5 MICROMETER MINIMUM
 *コンタクト部とテール部はニッケルメッキによって分断されている金メッキです。
 DIVIDE INTO PARTS THE GOLD PLATING OF THE CONTACT PART AND THE TAIL PART BY THE NICKEL PLATING.
- △ (全極数/2) = 偶数の場合に適用。
 APPLY FOR (CIRCUIT/2) = EVEN.
- 4 嵌合相手: 53885 / 500334 シリーズ
 MATE WITH: 53885 / 500334 SERIES.
- 5 テール平坦度は、0.1MAX.
 TAIL COPLANARITY TO BE 0.1 MAXIMUM.

18.0	17.0	20.1	54102-0703	70
15.5	14.5	17.6	-0603	60
13.0	12.0	15.1	-0503	50
10.5	9.5	12.6	-0403	40
8.0	7.0	10.1	-0303	30
5.5	4.5	7.6	-0203	20
4.5	3.5	6.6	54102-0163	16
C	B	A	MATERIAL No.	極数 CIRCUIT

REVISED REV A	REVISED IEC NO. J2005-1175 DRAWN BY DRW:JMHEDA CHKD:KTOYODA APPR:NMKITA 2004/10/29 2004/10/29 2004/11/01	GENERAL TOLERANCES (UNLESS SPECIFIED)	DIMENSION STYLE MM ONLY	SCALE ---	DESIGN UNITS METRIC	THIRD ANGLE PROJECTION
	DESCRIPTION	10 UNDER ±0.2	DRAWN BY Y.SAKIYA	DATE 2004/05/06	TITLE	0.5 B-TO-B CONN REC HSG ASSY(HGT=2.5) [NI BARRIER]-LEAD FREE-
		10 OVER 30 UNDER ±0.25	CHECKED BY M.SASAO	DATE 2004/05/06		MOLEX INCORPORATED
		30 OVER ±0.3	APPROVED BY M.SASAO	DATE 2004/05/06		SD-54102-006
	ANGULAR ±3 °	DRAFT WHERE APPLICABLE MUST REMAIN WITHIN DIMENSIONS	MATERIAL NO.	SEE CHART	DOCUMENT NO.	SHEET NO. 1 OF 1
			SIZE A3	THIS DRAWING CONTAINS INFORMATION THAT IS PROPRIETARY TO MOLEX INCORPORATED AND SHOULD NOT BE USED WITHOUT WRITTEN PERMISSION		

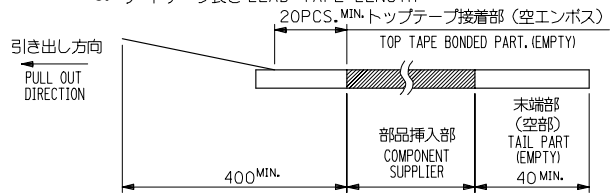
10 9 8 7 6 5 4 3 2 1



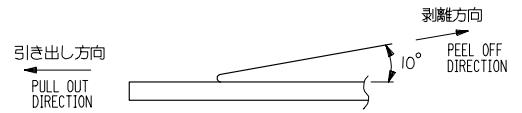
DETAIL F

NOTES

- 製品詳細寸法については図面 SD-54102-006 を参照下さい。
RE DETAILED DIMENSION, SEE SD-54102-006.
- 梱包数量：3000個/リール
NUMBER OF CONNECTORS : 3000PCS/REEL
- リードテープ長さ LEAD TAPE LENGTH

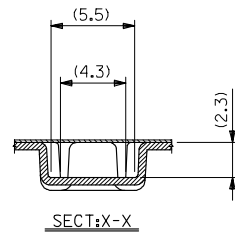
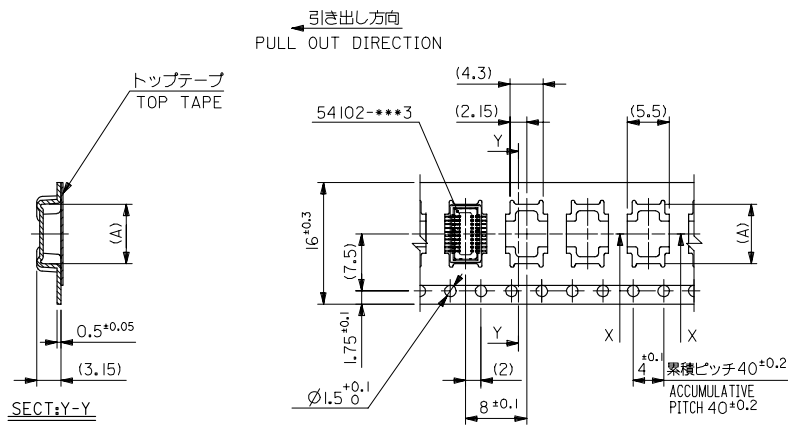


- トップテープの剥離強度：0.1～1.3N (10～130gf)
(剥離方向は下図参照)
尚、本規格値は出荷時に適用。(但し、輸送時に剥離が発生しないこと。)
PEELING OFF FORCE OF TOP TAPE : 0.1～1.3N (10～130gf)
(PEELING DIRECTION AS SHOWN IN FOLLOWING FIG.)
THIS REQUIREMENT SHOULD BE APPLIED AT SHIPMENT.
PEEL OFF SHOULD NOT BE ALLOWED , DURING TRANSPORTATION.



- 材料 (MATERIAL)
キャリアテープ (CARRIER TAPE) : ポリプロピレン (POLYPROPYLENE)
トップテープ (TOP TAPE) : PET , PE , PEF
リール (REEL) : ポリスチレン (PS) <リサイクル材を含む>
POLYSTYRENE (PS) <RECYCLE MATERIAL CONTAINED>

REVISED REV. A	EC NO. J2005-1175	2004/10/29	2004/10/29	2004/11/01	GENERAL TOLERANCES (UNLESS SPECIFIED)	DIMENSION STYLE MM ONLY		SCALE ---	DESIGN UNITS METRIC	THIRD ANGLE PROJECTION
	DRW: MINEDA	CHK: KATOYODA	APP: NIKITA	DESCRIPTION		10 UNDER	± 0.2	DRAWN BY Y. SAKIYA	DATE 2004/05/06	TITLE EMBSTP PKG FOR 0.5 B/B REC HSG ASSY (H=2.5) [NI BARRIER]-LEAD FREE- MOLEX INCORPORATED
						10 OVER 30 UNDER	± 0.25	CHECKED BY M. SASAO	DATE 2004/05/06	
						30 OVER	± 0.3	APPROVED BY M. SASAO	DATE 2004/05/06	
						ANGULAR	$\pm 3^\circ$	MATERIAL NO.	DOCUMENT NO.	
				DRAFT WHERE APPLICABLE MUST REMAIN WITHIN DIMENSIONS	SIZE A3	SEE CHART	SD-54102-007	SHEET NO. 1 OF 3		

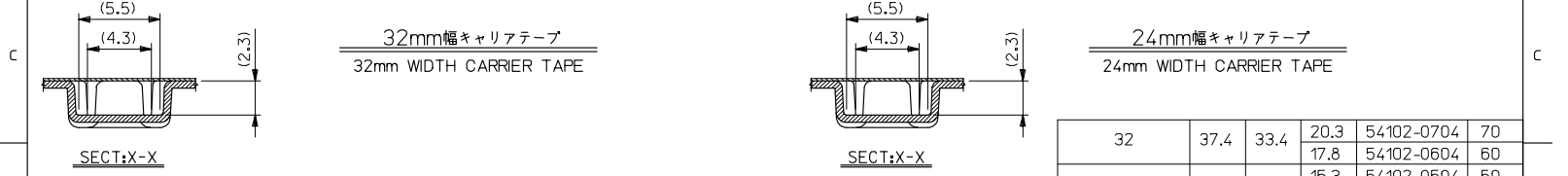
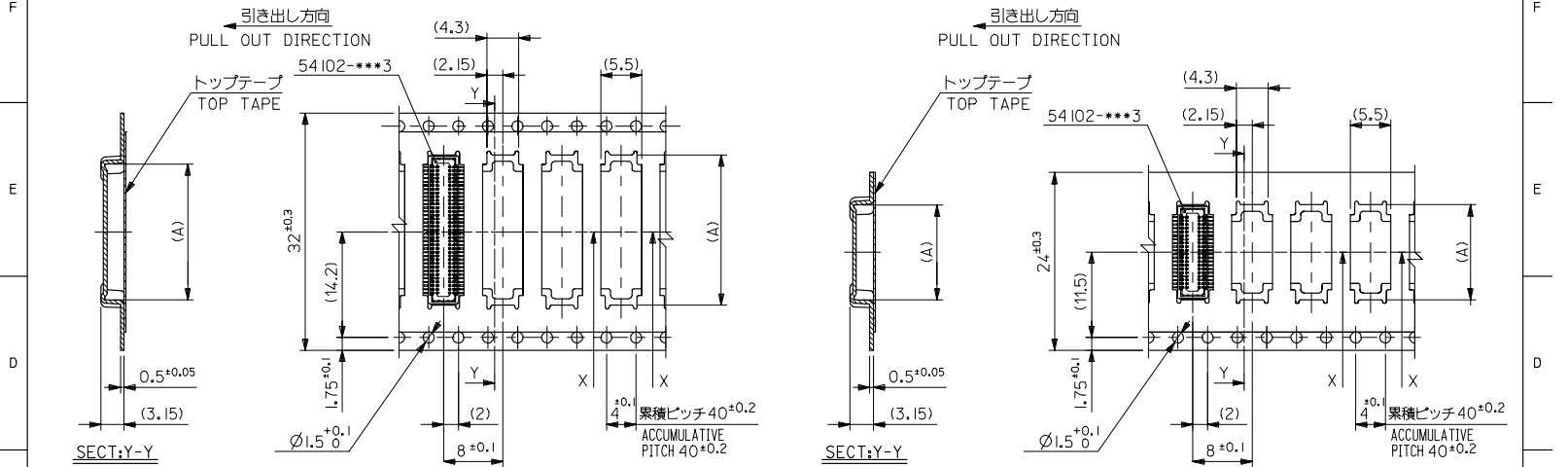


16mm幅キャリアテープ
16mm WIDTH CARRIER TAPE

16	21.4	17.4	7.8	54102-0204	20
キャリアテープ幅 CARRIER TAPE WIDTH	E	D	(A)	MATERIAL NO.	機数 CIRCUITS

REVISED REV. NO. J2005-1175 2004/10/29 DRAWN BY Y. SAKIYA 2004/10/29 CHKD BY M. SASAO 2004/11/01 APPR. BY M. SASAO 2004/11/01	GENERAL TOLERANCES (UNLESS SPECIFIED)		DIMENSION STYLE MM ONLY		SCALE ---	DESIGN UNITS METRIC	MODEL NO. 54102-***4
	10 UNDER	±0.2	DRAWN BY Y. SAKIYA	DATE 2004/05/06	TITLE EMBSTP PKG FOR 0.5 B/B REC HSG ASSY (H=2.5) [NI BARRIER]-LEAD FREE-		
	10 OVER 30 UNDER	±0.25	CHECKED BY M. SASAO	DATE 2004/05/06	MOLEX INCORPORATED		
	30 OVER	±0.3	APPROVED BY M. SASAO	DATE 2004/05/06	DOCUMENT NO. SD-54102-007		
ANGULAR ±3 °		DRAFT WHERE APPLICABLE MUST REMAIN WITHIN DIMENSIONS		MATERIAL NO. SEE CHART		SHEET NO. 2 OF 3	
THIS DRAWING CONTAINS INFORMATION THAT IS PROPRIETARY TO MOLEX INCORPORATED AND SHOULD NOT BE USED WITHOUT WRITTEN PERMISSION				EN-02JA1021			

10 9 8 7 6 5 4 3 2 1



32	37.4	33.4	20.3	54102-0704	70
			17.8	54102-0604	60
24	29.4	25.4	15.3	54102-0504	50
			12.8	54102-0404	40
			10.3	54102-0304	30
キャリアテープ幅 CARRIER TAPE WIDTH	E	D	(A)	MATERIAL NO.	機数 CIRCUITS

REVISED IEC NO. J2005-1175 2004/10/29 DRAWN BY CHIKAKIYODA 2004/10/29 CHKDKIYODA 2004/11/01 APPR. NIKITA 2004/11/01 DESCRIPTION A	GENERAL TOLERANCES (UNLESS SPECIFIED)		DIMENSION STYLE MM ONLY		SCALE ---	DESIGN UNITS METRIC	MODEL NO. 54102-****4
	10 UNDER	±0.2	DRAWN BY Y. SAKIYA	DATE 2004/05/06	TITLE EMBSTP PKG FOR 0.5 B/B REC HSG ASSY (H=2.5) [NI BARRIER]-LEAD FREE-		
	10 OVER 30 UNDER	±0.25	CHECKED BY M. SASAO	DATE 2004/05/06	MOLEX INCORPORATED		
	30 OVER	±0.3	APPROVED BY M. SASAO	DATE 2004/05/06	DOCUMENT NO. SD-54102-007		
	ANGULAR	±3 °	MATERIAL NO. SEE CHART		SHEET NO. 3 OF 3		
DRAFT WHERE APPLICABLE MUST REMAIN WITHIN DIMENSIONS		SIZE A3		THIS DRAWING CONTAINS INFORMATION THAT IS PROPRIETARY TO MOLEX INCORPORATED AND SHOULD NOT BE USED WITHOUT WRITTEN PERMISSION			

tb_frame_A3_J_ME_S
Rev. D 2004/04/02

9 8 7 6 5 4 3 2 1 EN-02JA1021