

PLEASE CHECK WWW.MOLEX.COM FOR LATEST PART INFORMATION

Part Number: [0528081070](#)
Status: **Active**
Overview:
Description: 1.00mm (.039") Pitch FFC/FPC Connector, SMT, Vertical, Non-ZIF Receptacle, 10 Circuits, Lead-free

Agency Certification

UL E29179

General

Product Family FFC/FPC Connectors
 Series [52808](#)
 Overview [ffc_fpc_smt](#)
 Product Name N/A

Physical

Circuits (Loaded) 10
 Circuits (maximum) 10
 Color - Resin Natural
 Contact Position N/A
 Durability (mating cycles max) 10
 Entry Angle N/A
 Flammability 94V-0
 Mated Height (in) 0.199 In
 Mated Height (mm) 5.05 mm
 Material - Metal Phosphor Bronze
 Material - Plating Mating Tin-Bismuth
 Material - Plating Termination Tin-Bismuth
 Material - Resin High Temperature Thermoplastic
 Number of Rows 1
 Orientation Vertical
 PCB Locator No
 PCB Retention None
 Packaging Type Embossed Tape on Reel
 Pitch - Mating Interface (in) 0.039 In
 Pitch - Mating Interface (mm) 1.00 mm
 Pitch - Term. Interface (in) 0.039 In
 Pitch - Term. Interface (mm) 1.00 mm
 Plating min: Mating (µin) 40
 Plating min: Mating (µm) 1
 Plating min: Termination (µin) 40
 Plating min: Termination (µm) 1
 Polarized to PCB No
 Stackable No
 Surface Mount Compatible (SMC) Yes
 Temperature Range - Operating -20°C to +80°C
 Termination Interface: Style Surface Mount
 Wire/Cable Type FFC/FPC

Electrical

Current - Maximum per Contact 0.5A
 Voltage - Maximum 125V AC (RMS)/DC

Material Info

Reference - Drawing Numbers

Packaging Specification SPK-52808-001

EU RoHS
ELV and RoHS
Compliant
REACH SVHC
Contains SVHC: No
Halogen-Free
Status
Not Reviewed

China RoHS



Need more information on product environmental compliance?

Email productcompliance@molex.com
 For a multiple part number RoHS Certificate of Compliance, [click here](#)

Please visit the [Contact Us](#) section for any non-product compliance questions.

Search Parts in this Series
[52808Series](#)

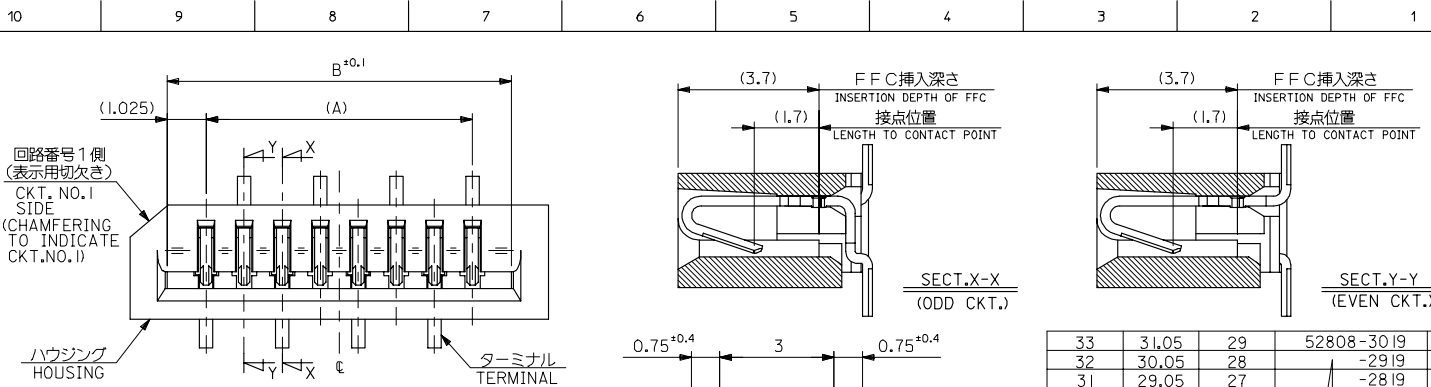
Product Specification

Sales Drawing

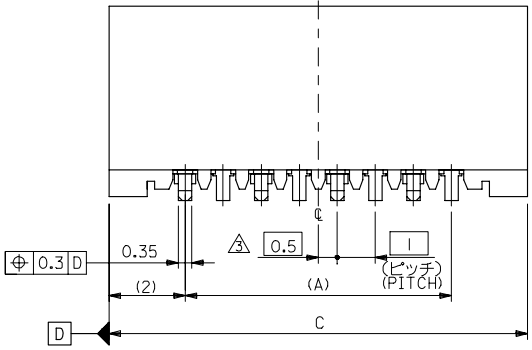
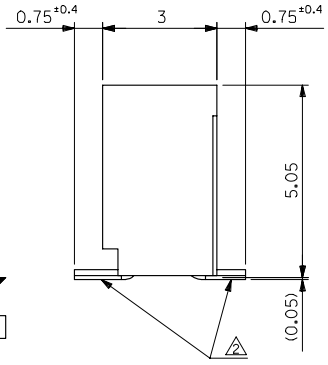
PS-52808-004, RPS-52808-039, RPS-52808-044,
RPS-52808-045, RPS-52808-047, RPS-52808-048,
RPS-52808-049
SD-52808-027, SD-52808-028

This document was generated on 06/05/2010

PLEASE CHECK WWW.MOLEX.COM FOR LATEST PART INFORMATION

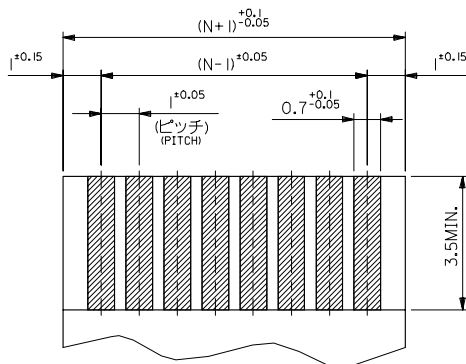


33	31.05	29	52808-3019	30
32	30.05	28	-2919	29
31	29.05	27	-2819	28
30	28.05	26	-2719	27
29	27.05	25	-2619	26
28	26.05	24	-2519	25
27	25.05	23	-2419	24
26	24.05	22	-2319	23
25	23.05	21	-2219	22
24	22.05	20	-2119	21
23	21.05	19	-2019	20
22	20.05	18	-1919	19
21	19.05	17	-1819	18
20	18.05	16	-1719	17
19	17.05	15	-1619	16
18	16.05	14	-1519	15
17	15.05	13	-1419	14
16	14.05	12	-1319	13
15	13.05	11	-1219	12
14	12.05	10	-1119	11
13	11.05	9	-1019	10
12	10.05	8	-0919	9
11	9.05	7	-0819	8
10	8.05	6	-0719	7
9	7.05	5	-0619	6
8	6.05	4	-0519	5
7	5.05	3	52808-0419	4

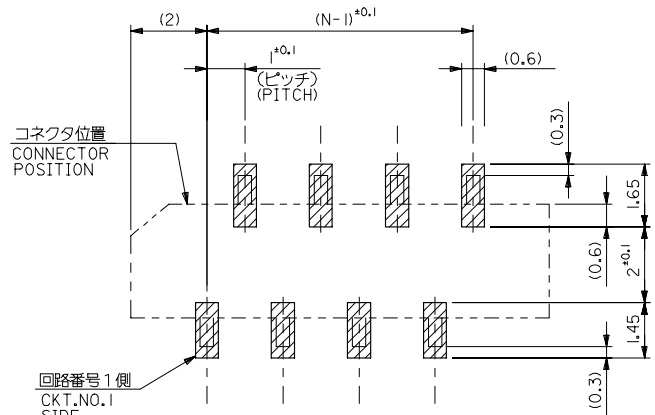


- 注記 NOTES:
1. 使用材料 MATERIAL
 ハウジング: PPS,UL94V-0 HOUSING :PPS,UL94V-0
 ターミナル: リン青銅 (±0.25) TERMINAL :PHOSPHOR BRONZE
 メッキ: ニッケル下地鍍ビスマスメッキ PLATING :TIN-BISMUTH OVER NICKEL
 2. 基準面 [E] からのハンダテールの半田付け面のズレ量は、上方向に0.1MAX. 下方向0.15MAX. とする。 MISALIGNMENT OF SOLDER TAIL FROM [E] : UPPER DIRECTION 0.1 MAX. , LOWER DIRECTION 0.15 MAX.
 3. 偶数極に適用。 APPLY FOR EVEN CKT.
 4. 本製品は52808-***10の鉛フリー品である。 THIS PRODUCT IS LEAD FREE OF 52808-***10

REVISED EC NO. J2006-1497 DRAWN MABEI 2005/11/04 CHKD KYODA 2005/11/07 APPR. NUKITA 2005/11/11	GENERAL TOLERANCES (UNLESS SPECIFIED)		DIMENSION STYLE MM ONLY		SCALE --- DESIGN UNITS METRIC	THIRD ANGLE PROJECTION	TITLE 1.0 FFC CONN. NON ZIF SMT. ST. -LEAD FREE-
	10 UNDER	±0.2	DRAWN BY M.NABEI	DATE '04/02/19			
	10 OVER 30 UNDER	±0.25	CHECKED BY M.SASAO	DATE '04/02/19			
	30 OVER	±0.3	APPROVED BY M.SASAO	DATE '04/02/19			
A	ANGULAR	±3 °	MATERIAL NO. SEE CHART	DOCUMENT NO. SD-52808-027	MOLEX INCORPORATED		SHEET NO. 1 OF 1
DRAFT WHERE APPLICABLE MUST REMAIN WITHIN DIMENSIONS			SIZE A3		THIS DRAWING CONTAINS INFORMATION THAT IS PROPRIETARY TO MOLEX INCORPORATED AND SHOULD NOT BE USED WITHOUT WRITTEN PERMISSION		



(仕上がり厚さ 0.3 ± 0.03)
THICKNESS
適合FPC推奨寸法
APPLICABLE FPC
RECOMMENDED DIMENSION.



参考基板レイアウト (マウント面)
RECOMMENDED P.C. BOARD
PATTERN DIMENSION. (REF.)
(MOUNTING AREA)

FPCについて:

- 打抜き方向は、導体側から補強板側を推奨いたします。
- 補強フィルム材質は、ポリイミドを推奨いたします。
- 接着剤は、熱硬化接着剤を推奨いたします。

ABOUT FPC:

RECOMMENDED PUNCHER DIRECTION: FROM CONDUCTOR SIDE TO STIFFENER BOARD SIDE.

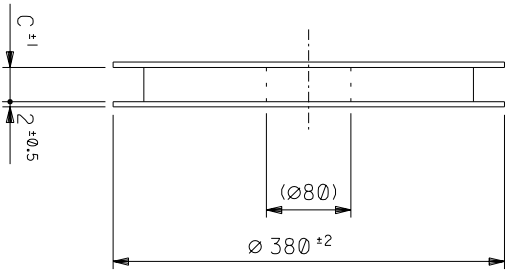
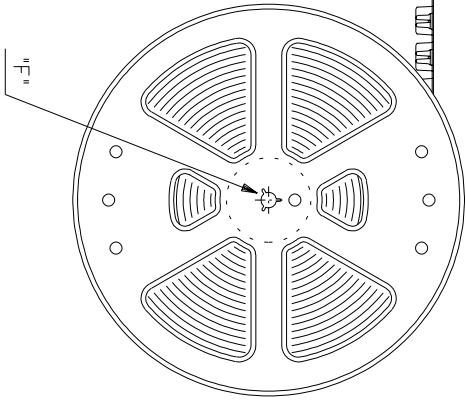
RECOMMENDED MATERIAL:

STIFFENER FILM: POLYIMIDE
BONDING AGENT: THERMOSETTING BONDING AGENT

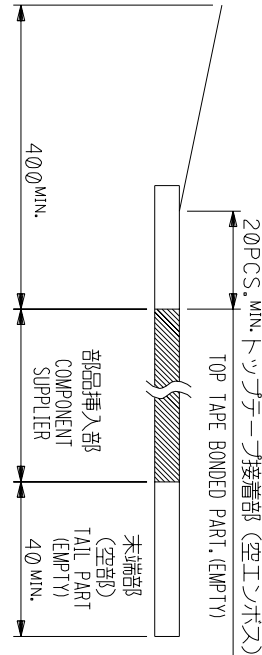
GENERAL TOLERANCES (UNLESS SPECIFIED)		DIMENSION STYLE MM ONLY		SCALE ---	DESIGN UNITS METRIC	THIRD ANGLE PROJECTION
10 UNDER	± 0.2	DRAWN BY M. NABEI	DATE '04/02/19	TITLE 1.0 FFC CONN. NON ZIF SMT. ST. -LEAD FREE-		
10 OVER 30 UNDER	± 0.25	CHECKED BY M. SASAO	DATE '04/02/19			
30 OVER	± 0.3	APPROVED BY M. SASAO	DATE '04/02/19			
ANGULAR ± 3 °		MATERIAL NO. SEE CHART		DOCUMENT NO. SD-52808-027		SHEET NO. 2 OF 2
DRAFT WHERE APPLICABLE MUST REMAIN WITHIN DIMENSIONS		SIZE A3		THIS DRAWING CONTAINS INFORMATION THAT IS PROPRIETARY TO MOLEX INCORPORATED AND SHOULD NOT BE USED WITHOUT WRITTEN PERMISSION		

8 7 6 5 4 3 2 1

引き出し方向
PULL OUT

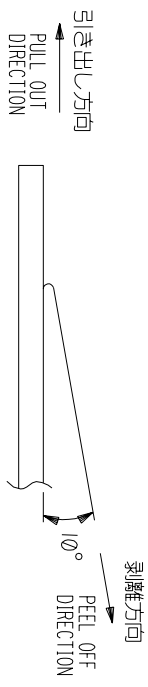


引き出し方向
PULL OUT DIRECTION

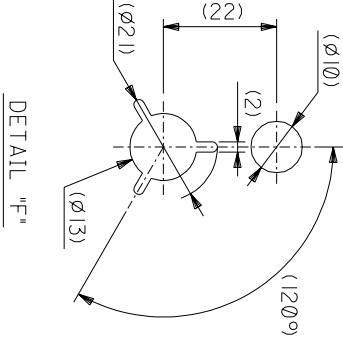


- NOTES
- 製品詳細寸法については図面 SD-52808-027 を参照下さい。
RE DETAILED DIMENSION, SEE SD-52808-027
 - 梱包数量: 1000個/リール
NUMBER OF CONNECTORS: 1000PCS/REEL
 - リールテープ長さ LEAD TAPE LENGTH
20PCS. MIN. トッパテープ接着部 (空エンプティ)

4. トッパテープの剥離強度: 0.1 ~ 1.3N (10 ~ 130gf)
(剥離方向は下図参照)
尚、本規格値は出荷時に適用。(但し、輸送時に剥離が発生しないこと。)
PEELING OFF FORCE OF TOP TAPE: 0.1 ~ 1.3N (10 ~ 130gf)
(PEELING DIRECTION AS SHOWN IN FOLLOWING FIG.)
THIS REQUIREMENT SHOULD BE APPLIED AT SHIPMENT.
PEEL OFF SHOULD NOT BE ALLOWED, DURING TRANSPORTATION.



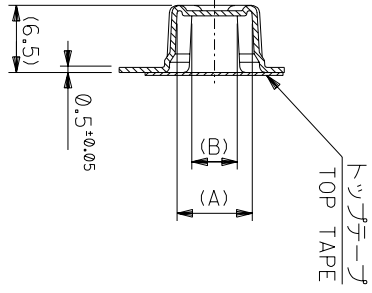
- 材料(MATERIAL)
キャリアテープ(CARRIER TAPE): ポリプロピレン(POLYPROPYLENE)
トッパテープ(TOPTAPE): PET, PE, PEF
リール(REEL): ポリスチレン(PS) <リサイクル材を含む>
POLYSTYRENE(PS) RECYCLE MATERIAL CONTAINED>
- 本製品は52808-**-90の鉛フリー品である。
THIS PRODUCT IS LEAD FREE OF 52808-**-90



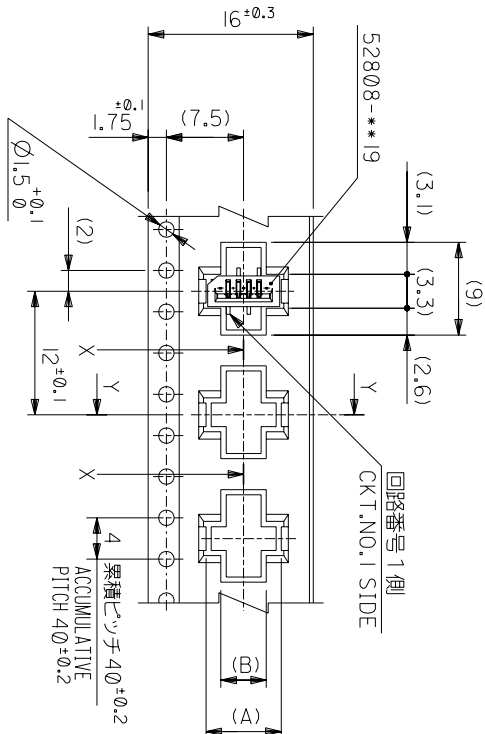
角度	ANGLE	±3°
30以上	30 OVER	±0.3
10以下	10 UNDER	±0.25
10未満	10 UNDER	±0.2
GENERAL TOLERANCES		

記号	0	0	0	0	0	0	0	0	0
TR	TR	TR	TR	TR	TR	TR	TR	TR	TR
REVISION	0	1	2	3	4	5	6	7	8
RECORD	0	1	2	3	4	5	6	7	8
DATE	0	1	2	3	4	5	6	7	8
DR. / CHK.	M.S. / M.S.	M.S. / M.S.	M.S. / M.S.	M.S. / M.S.	M.S. / M.S.	M.S. / M.S.	M.S. / M.S.	M.S. / M.S.	M.S. / M.S.
MATERIAL	材料	注記参照	仕上がり	FINISH	適用電線範囲	押入径	押入径	押入径	押入径
SEE NOTES	SEE NOTES	SEE NOTES	SEE NOTES	SEE NOTES	SEE NOTES	SEE NOTES	SEE NOTES	SEE NOTES	SEE NOTES
REVISE ONLY ON CAD SYSTEM	REVISE ONLY ON CAD SYSTEM	REVISE ONLY ON CAD SYSTEM	REVISE ONLY ON CAD SYSTEM	REVISE ONLY ON CAD SYSTEM	REVISE ONLY ON CAD SYSTEM	REVISE ONLY ON CAD SYSTEM	REVISE ONLY ON CAD SYSTEM	REVISE ONLY ON CAD SYSTEM	REVISE ONLY ON CAD SYSTEM
TITLE 名称	TITLE 名称	TITLE 名称	TITLE 名称	TITLE 名称	TITLE 名称	TITLE 名称	TITLE 名称	TITLE 名称	TITLE 名称
I.0 FCC Conn NON ZIF	I.0 FCC Conn NON ZIF	I.0 FCC Conn NON ZIF	I.0 FCC Conn NON ZIF	I.0 FCC Conn NON ZIF	I.0 FCC Conn NON ZIF	I.0 FCC Conn NON ZIF	I.0 FCC Conn NON ZIF	I.0 FCC Conn NON ZIF	I.0 FCC Conn NON ZIF
SMT ST Embstd PKG	SMT ST Embstd PKG	SMT ST Embstd PKG	SMT ST Embstd PKG	SMT ST Embstd PKG	SMT ST Embstd PKG	SMT ST Embstd PKG	SMT ST Embstd PKG	SMT ST Embstd PKG	SMT ST Embstd PKG
-LEAD FREE-	-LEAD FREE-	-LEAD FREE-	-LEAD FREE-	-LEAD FREE-	-LEAD FREE-	-LEAD FREE-	-LEAD FREE-	-LEAD FREE-	-LEAD FREE-
DWG. NO. SD-52808-028	DWG. NO. SD-52808-028	DWG. NO. SD-52808-028	DWG. NO. SD-52808-028	DWG. NO. SD-52808-028	DWG. NO. SD-52808-028	DWG. NO. SD-52808-028	DWG. NO. SD-52808-028	DWG. NO. SD-52808-028	DWG. NO. SD-52808-028
(SHEET 1 OF 6) REV	(SHEET 1 OF 6) REV	(SHEET 1 OF 6) REV	(SHEET 1 OF 6) REV	(SHEET 1 OF 6) REV	(SHEET 1 OF 6) REV	(SHEET 1 OF 6) REV	(SHEET 1 OF 6) REV	(SHEET 1 OF 6) REV	(SHEET 1 OF 6) REV
52808-**-70	52808-**-70	52808-**-70	52808-**-70	52808-**-70	52808-**-70	52808-**-70	52808-**-70	52808-**-70	52808-**-70
MODEL NO.	MODEL NO.	MODEL NO.	MODEL NO.	MODEL NO.	MODEL NO.	MODEL NO.	MODEL NO.	MODEL NO.	MODEL NO.

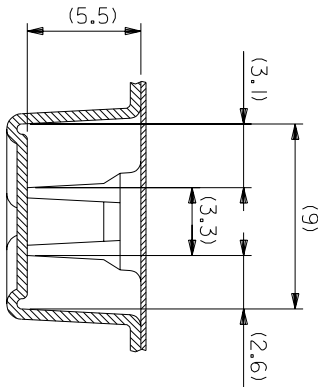
THIS DRAWING CONTAINS INFORMATION THAT IS PROPRIETARY TO MOLEX/JAPAN AND SHOULD NOT BE USED WITHOUT WRITTEN PERMISSION
本図面は日本モリス(株)の所有する権利を有するため、当社の許可なく複製を禁止する。



SECT:Y-Y



引き出し方向
PULL OUT DIRECTION



16mm幅キャリアテープ
16mm WIDTH CARRIER TAPE

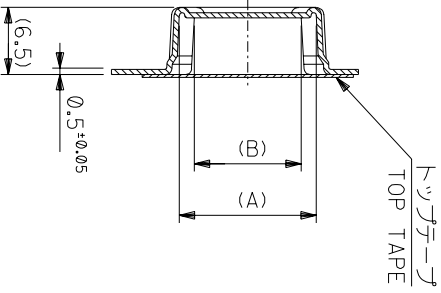
MODEL NO.	52808-**-70	キャリアテープ幅 CARRIER TAPE WIDTH	16	17.5	5.4	8.3	52808-0570	5
					4.4	7.3	52808-0470	4
						(A)	MATERIAL NO.	種数 CKT.

材料
MATERIAL SHEET 1 OF 6 参照
REFER TO SHEET 1 OF 6

仕上げ
FINISH
適用電線範囲
WIRE RANGE
標準外径
INS. RANGE
DRAWN BY 04/02/19 CHK'D BY 04/02/19
M.NABEY M.SASAO
APP'D BY 04/02/19 SCALE 1/1
M.SASAO

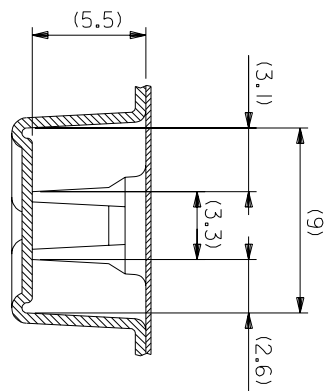
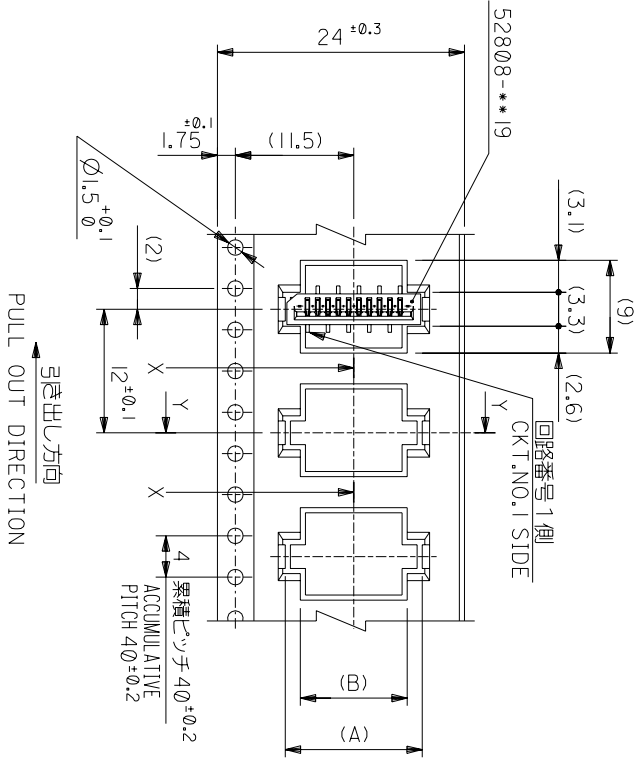
角度 ANGLE	3°
30以上 INCH	1.0
10以上 INCH	1.4, 1.5
10未満 INCH	0.2
一般公差 GENERAL TOLERANCES	
記号 LTR	0
新規作成 REVISION	(12004-2528)
変更内容 REVISION RECORD	
DR-CHK.	M.S
DATE	04/02/19
尺 SCALE	1/1
寸 SCALE	1/1
DWG. NO.	SD-52808-028
(SHEET 2 OF 6)	REV
0	0

THIS DRAWING CONTAINS INFORMATION THAT IS PROPRIETARY TO MOLEX(JAPAN) AND SHOULD NOT BE USED WITHOUT WRITTEN PERMISSION
本図面は日本モリス(株)の所有する情報を含むもので 当社の許可なく複製を禁止する。



SECT:Y-Y

24mm幅キヤリヤテープ
24mm WIDTH CARRIER TAPE



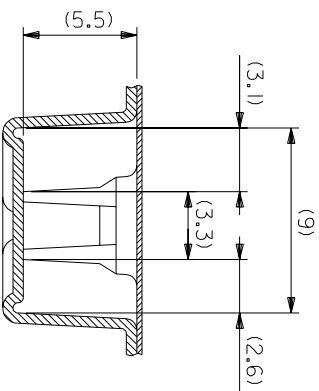
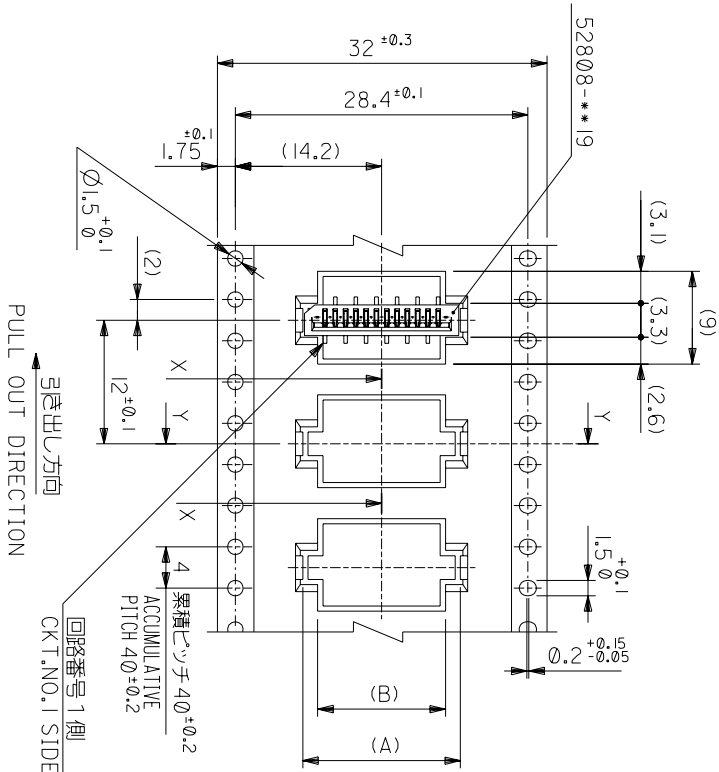
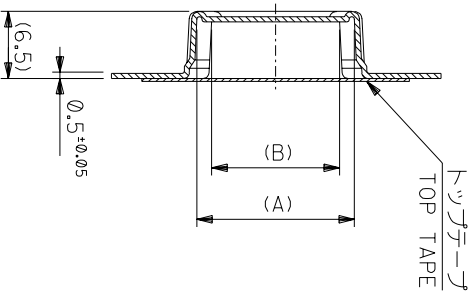
MODEL NO.	キャリアテープ幅 CARRIER TAPE WIDTH	C	(B)	(A)	種数 CKT.
52808-***70	24	25.5	10.4 9.4 8.4 7.4 6.4	13.3 12.3 11.3 10.3 9.3	10 9 8 7 6

材料 MATERIAL	SHEET 1 OF 6 参照 REFER TO SHEET 1 OF 6	MOLEX-JAPAN CO.,LTD. モレックス株式会社
仕上り FINISH	---	REVISE ONLY ON CAD SYSTEM
適用電線範囲 WIRE RANGE	---	TITLE 名称 I.O FFC Conn NON ZIF SMT ST Embstd PKG -LEAD FREE-
検査外径 INS. RANGE	---	DWG. NO. SD-52808-028 (SHEET 3 OF 6)
DRAWN BY 04/02/19 M.NABEI	CHK'D BY 04/02/19 M.SASAO	REV 0
尺度 SCALE	---	

角度 ANGLE	±3°
30 以上	±0.2
10 以下	±0.25
10 以下	±0.2
10 以下	±0.2

記号	新規作成 (12004-2528)	DR	DATE
TR	変更内容	M.S	
REVISION RECORD		CHK.	

THIS DRAWING CONTAINS INFORMATION THAT IS PROPRIETARY TO MOLEX(JAPAN) AND SHOULD NOT BE USED WITHOUT WRITTEN PERMISSION
本図面は日本モレックス(株)の所有する情報を含むもので 当社の許可なく複製を禁止する。



32mm幅キリリテープ
32mm WIDTH CARRIER TAPE

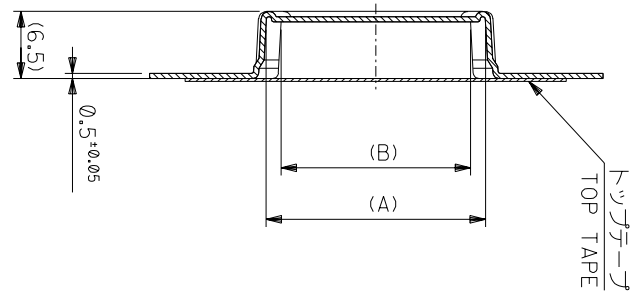
MODEL NO.	キャリアテープ幅 CARRIER TAPE WIDTH	C	(B)	(A)	種数 CKT.
52808-**-70	32	33.5	15.4	18.3	15
			14.4	17.3	14
			13.4	16.3	13
			12.4	15.3	12
			11.4	14.3	11

材料 MATERIAL	参照 REFER TO SHEET 1 OF 6	MOLEX-JAPAN CO.,LTD. 日本モリス株式会社
仕上げ FINISH	—#—	REVISE ONLY ON CAD SYSTEM
適用電線範囲 WIRE RANGE	—#—	TITLE 名称
検査外径 INS. RANGE	—#—	I.0 FFC Conn NON ZIF SMT ST Embstp. PKg -LEAD FREE-
DRAWN BY: 04/02/19 M.NABEY	CHK'D BY: 04/02/19 M.SASAO	DWG. NO. SD-52808-028 (SHEET 4 OF 6)
APP'D BY: 04/02/19 M.SASAO	尺度 SCALE: —#—	REV 0

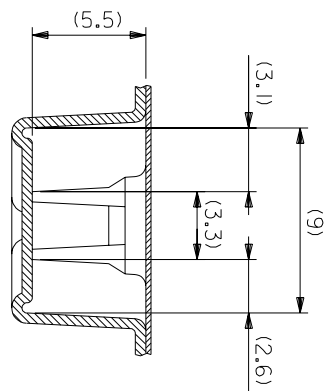
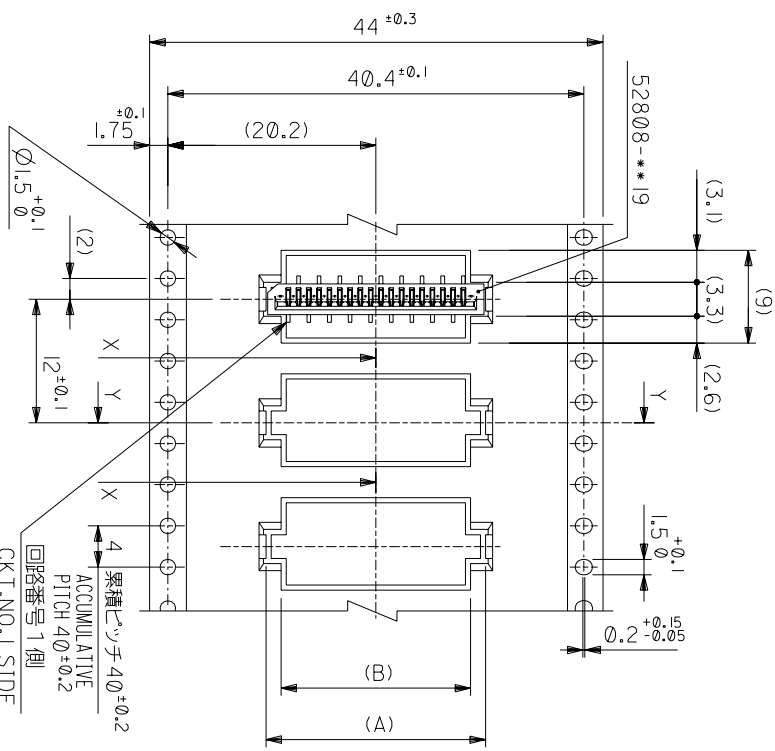
角度 ANGLE	3°
30以上 INCH	1.0
10以上 INCH	0.4, 0.5
10未満 INCH	0.2
一般公差 GENERAL TOLERANCES	

記号 LTR	0	新規作成 NEW	12004-2528
変更内容 REVISION			
DR-CHK.	MAN/M.S	DATE	04/02/19

THIS DRAWING CONTAINS INFORMATION THAT IS PROPRIETARY TO MOLEX(JAPAN) AND SHOULD NOT BE USED WITHOUT WRITTEN PERMISSION
 本図面は日本モリス(株)の所有する情報を含むもので、当社の許可なく複製を禁止する。



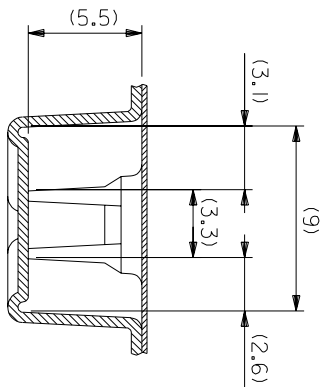
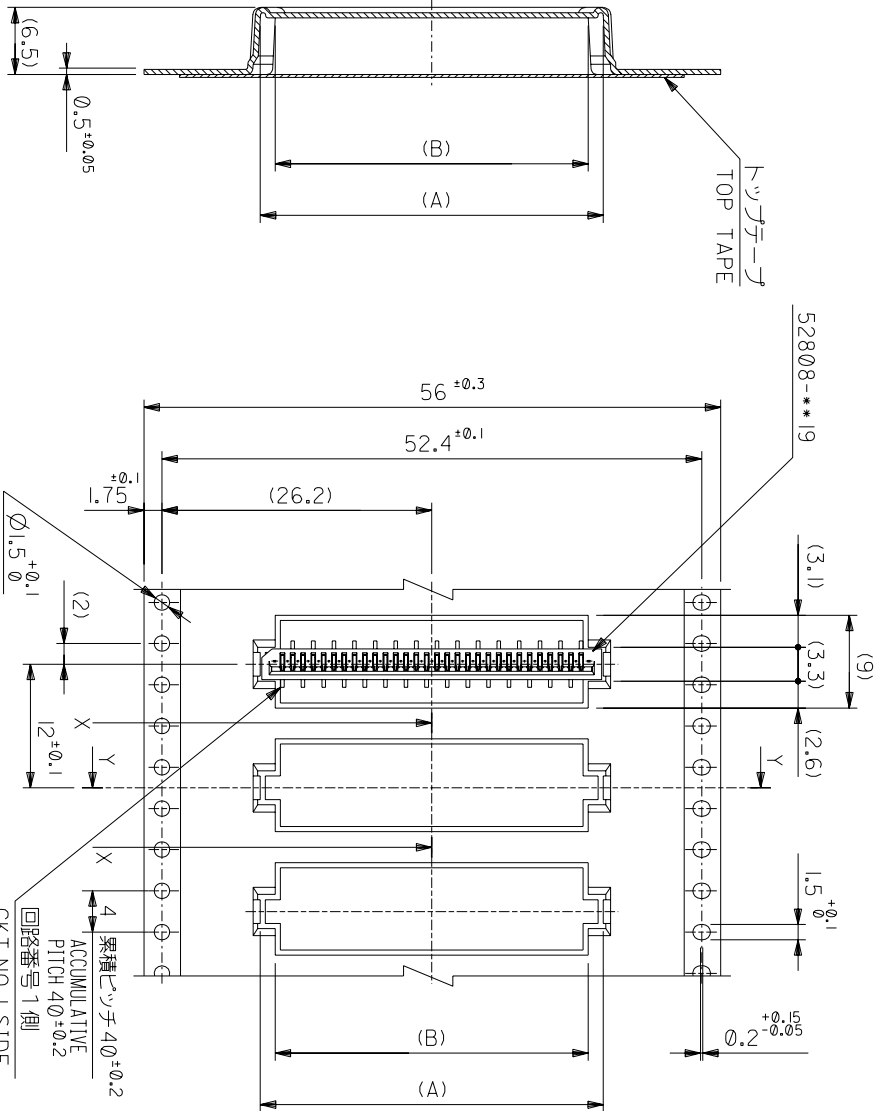
44mm幅キャリアテープ
44mm WIDTH CARRIER TAPE



MODEL NO.	キャリアテープ幅 CARRIER TAPE WIDTH	C	(B)	(A)	種数 CKT.
52808-**-70	44	45.5	28.4	31.3	28
			27.4	30.3	27
			26.4	29.3	26
			25.4	28.3	25
			24.4	27.3	24
			23.4	26.3	23
			22.4	25.3	22
			21.4	24.3	21
			20.4	23.3	20
			19.4	22.3	19
			18.4	21.3	18
			17.4	20.3	17
			16.4	19.3	16

材料 MATERIAL	キャリアテープ幅 CARRIER TAPE WIDTH	C	(B)	(A)	種数 CKT.
REFER TO SHEET 1 OF 6					
仕上げ FINISH	---#---				
適用電線範囲 WIRE RANGE	---#---				
被覆外径 INS. RANGE	---#---				
記号 REF. NO.	0	0	0	0	0
変更内容 REVISION	0	0	0	0	0
一般公差 GENERAL TOLERANCES	角 度 ANGLE $\pm 3^\circ$				
	30 以上 $\pm 3^\circ$				
	10 以下 ± 4.25				
	10 未満 ± 4.25				
	10 未満 ± 0.2				
DR. / CHK.	DATE	SCALE	REV.	DWG. NO.	REV.
DR. / CHK.	DATE	SCALE	REV.	SD-52808-028	0

THIS DRAWING CONTAINS INFORMATION THAT IS PROPRIETARY TO MOLEX(JAPAN) AND SHOULD NOT BE USED WITHOUT WRITTEN PERMISSION
本図面は日本モリス(株)の所有する情報を含むもので 当社の許可なく複製を禁止する。



SECT:Y-Y

56mm幅キヤリヤテープ
56mm WIDTH CARRIER TAPE

PULL OUT DIRECTION
引抜き方向

累積ピッチ $4\phi \pm 0.2$
ACUMULATIVE PITCH $4\phi \pm 0.2$
回路番号 1側
C.K.T.NO.1 SIDE

52808-**-70	MODEL NO.	56	57.5	30.4	29.4	33.3	32.3	52808-3070	30
	CARRIER TAPE WIDTH			C	(B)	(A)	MATERIAL NO.		種数
									CT.

材料 MATERIAL SHEET 1 OF 6 参照 REFER TO SHEET 1 OF 6
仕上り FINISH #
適用電線範囲 適用電線範囲 #
標準外径 INS. RANGE #
DRAWN BY 04/02/19 CHK'D BY 04/02/19
M.NABEI M.SASAO
APP'D BY 04/02/19 M.SASAO
M.SASAO

REVISE ONLY ON CAD SYSTEM
TITLE 名称
1.0 FFC Conn NON ZIF
SMT ST Embstp Pkg
-LEAD FREE-

角度 ANGLE	$\sim 3^\circ$
30以上	$\sim 3^\circ$
10以下	$\sim 3^\circ$
30 UNDER	$\sim 3^\circ$
10 UNDER	$\sim 3^\circ$
一般公差	~ 0.2
GENERAL TOLERANCES	~ 0.2
記号 LTR	0
変更内容 REVISION RECORD	新規作成 (12004-2528)
DR-CHK.	M.NABEI
DATE	04/02/19
尺度 SCALE	M.SASAO
DWG. NO.	SD-52808-028
(SHEET 6 OF 6) REV	0

THIS DRAWING CONTAINS INFORMATION THAT IS PROPRIETARY TO MOLEX(JAPAN) AND SHOULD NOT BE USED WITHOUT WRITTEN PERMISSION
本図面は日本モリス(株)の所有する情報を含むもので 当社の許可なく複製を禁止する。