

PLEASE CHECK WWW.MOLEX.COM FOR LATEST PART INFORMATION

Part Number: [0528080470](#)
Status: **Active**
Overview:
Description: 1.00mm (.039") Pitch FFC/FPC Connector, SMT, Vertical, Non-ZIF Receptacle, 4 Circuits, Lead-free

Agency Certification

UL E29179

General

Product Family FFC/FPC Connectors
 Series [52808](#)
 Overview ffc_fpc_smt
 Product Name N/A

Physical

Circuits (Loaded) 4
 Circuits (maximum) 4
 Color - Resin Natural
 Contact Position N/A
 Durability (mating cycles max) 10
 Entry Angle N/A
 Flammability 94V-0
 Mated Height (in) 0.199 In
 Mated Height (mm) 5.05 mm
 Material - Metal Phosphor Bronze
 Material - Plating Mating Tin-Bismuth
 Material - Plating Termination Tin-Bismuth
 Material - Resin High Temperature Thermoplastic
 Number of Rows 1
 Orientation Vertical
 PCB Locator No
 PCB Retention None
 Packaging Type Embossed Tape on Reel
 Pitch - Mating Interface (in) 0.039 In
 Pitch - Mating Interface (mm) 1.00 mm
 Pitch - Term. Interface (in) 0.039 In
 Pitch - Term. Interface (mm) 1.00 mm
 Plating min: Mating (µin) 40
 Plating min: Mating (µm) 1
 Plating min: Termination (µin) 40
 Plating min: Termination (µm) 1
 Polarized to PCB No
 Stackable No
 Surface Mount Compatible (SMC) Yes
 Temperature Range - Operating -20°C to +80°C
 Termination Interface: Style Surface Mount
 Wire/Cable Type FFC/FPC

Electrical

Current - Maximum per Contact 0.5A
 Voltage - Maximum 125V AC (RMS)/DC

Material Info

Reference - Drawing Numbers

Packaging Specification SPK-52808-001

EU RoHS
ELV and RoHS
Compliant
REACH SVHC
Contains SVHC: No
Halogen-Free
Status
Not Reviewed

China RoHS



Need more information on product environmental compliance?

Email productcompliance@molex.com
 For a multiple part number RoHS Certificate of Compliance, [click here](#)

Please visit the [Contact Us](#) section for any non-product compliance questions.

Search Parts in this Series
[52808Series](#)

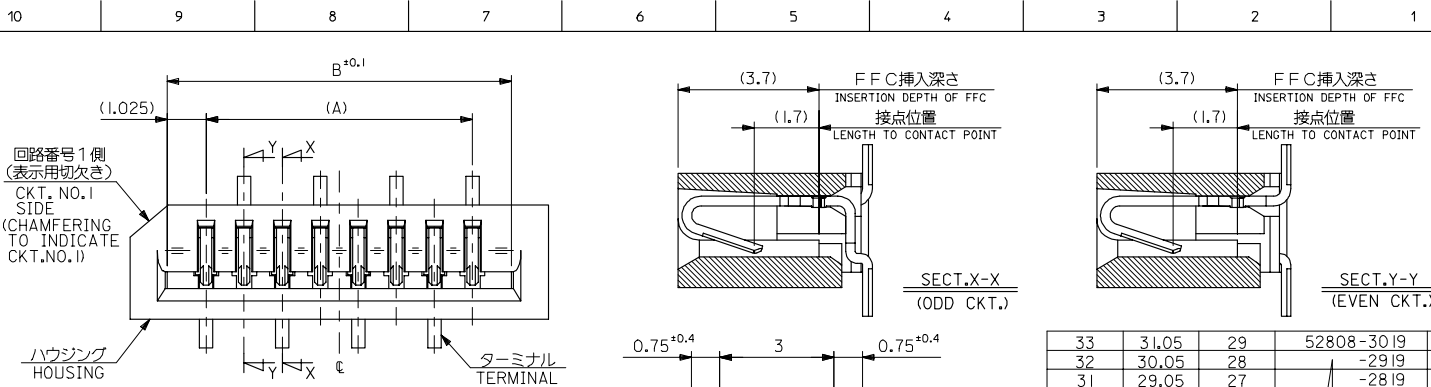
Product Specification

Sales Drawing

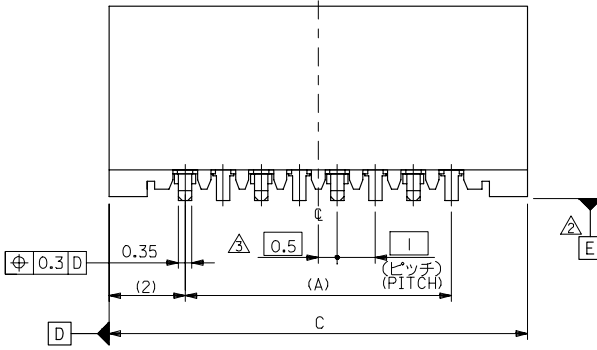
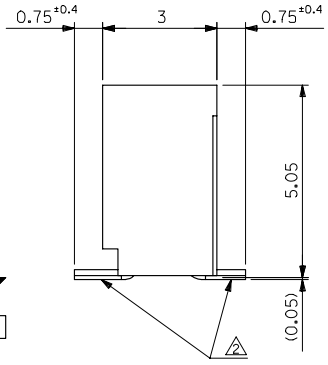
PS-52808-004, RPS-52808-039, RPS-52808-044,
RPS-52808-045, RPS-52808-047, RPS-52808-048,
RPS-52808-049
SD-52808-027, SD-52808-028

This document was generated on 06/05/2010

PLEASE CHECK WWW.MOLEX.COM FOR LATEST PART INFORMATION

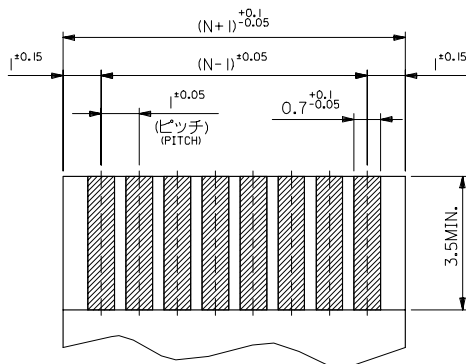


33	31.05	29	52808-3019	30
32	30.05	28	-2919	29
31	29.05	27	-2819	28
30	28.05	26	-2719	27
29	27.05	25	-2619	26
28	26.05	24	-2519	25
27	25.05	23	-2419	24
26	24.05	22	-2319	23
25	23.05	21	-2219	22
24	22.05	20	-2119	21
23	21.05	19	-2019	20
22	20.05	18	-1919	19
21	19.05	17	-1819	18
20	18.05	16	-1719	17
19	17.05	15	-1619	16
18	16.05	14	-1519	15
17	15.05	13	-1419	14
16	14.05	12	-1319	13
15	13.05	11	-1219	12
14	12.05	10	-1119	11
13	11.05	9	-1019	10
12	10.05	8	-0919	9
11	9.05	7	-0819	8
10	8.05	6	-0719	7
9	7.05	5	-0619	6
8	6.05	4	-0519	5
7	5.05	3	52808-0419	4

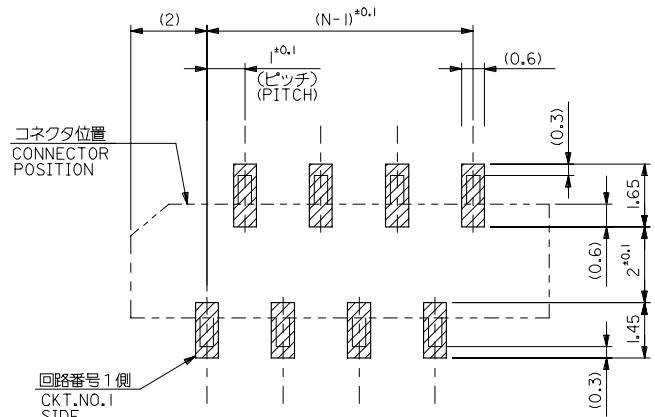


- 注記 NOTES:
1. 使用材料 MATERIAL
 ハウジング: PPS,UL94V-0 HOUSING :PPS,UL94V-0
 ターミナル: リン青銅 (±0.25) TERMINAL :PHOSPHOR BRONZE
 メッキ: ニッケル下地鍍ヒスマスメッキ PLATING :TIN-BISMUTH OVER NICKEL
 2. 基準面 [E] からのハンダテールの半田付け面のズレ量は、
 上方向に0.1MAX. 下方向0.15MAX. とする。
 MISALIGNMENT OF SOLDER TAIL FROM [E]
 : UPPER DIRECTION 0.1 MAX. , LOWER DIRECTION 0.15 MAX.
 3. 偶数極に適用。
 APPLY FOR EVEN CKT.
 4. 本製品は52808-***10の鉛フリー品である。
 THIS PRODUCT IS LEAD FREE OF 52808-***10

REVISED EC NO. J2006-1497 DRAWN MABEI 2005/11/04 CHKD KYODA 2005/11/07 APPR. NUKITA 2005/11/11	GENERAL TOLERANCES (UNLESS SPECIFIED)		DIMENSION STYLE MM ONLY		SCALE --- DESIGN UNITS METRIC	THIRD ANGLE PROJECTION	TITLE 1.0 FFC CONN. NON ZIF SMT. ST. -LEAD FREE-
	10 UNDER	±0.2	DRAWN BY M.NABEI	DATE '04/02/19			
	10 OVER 30 UNDER	±0.25	CHECKED BY M.SASAO	DATE '04/02/19			
	30 OVER	±0.3	APPROVED BY M.SASAO	DATE '04/02/19			
ANGULAR ±3 °		MATERIAL NO. SEE CHART		DOCUMENT NO. SD-52808-027		SHEET NO. 1 OF 1	
DRAFT WHERE APPLICABLE MUST REMAIN WITHIN DIMENSIONS		THIS DRAWING CONTAINS INFORMATION THAT IS PROPRIETARY TO MOLEX INCORPORATED AND SHOULD NOT BE USED WITHOUT WRITTEN PERMISSION					



(仕上がり厚さ) 0.3^{+0.03}
THICKNESS
適合FPC推奨寸法
APPLICABLE FPC
RECOMMENDED DIMENSION.



参考基板レイアウト (マウント面)
RECOMMENDED P.C. BOARD
PATTERN DIMENSION. (REF.)
(MOUNTING AREA)

FPCについて:

- 打抜き方向は、導体側から補強板側を推奨いたします。
- 補強フィルム材質は、ポリイミドを推奨いたします。
- 接着剤は、熱硬化接着剤を推奨いたします。

ABOUT FPC:

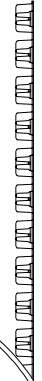
RECOMMENDED PUNCHER DIRECTION: FROM CONDUCTOR SIDE TO STIFFENER BOARD SIDE.

RECOMMENDED MATERIAL:

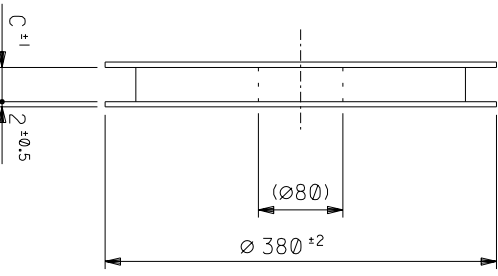
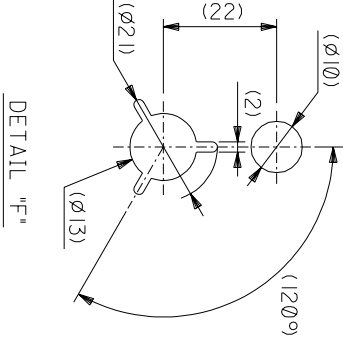
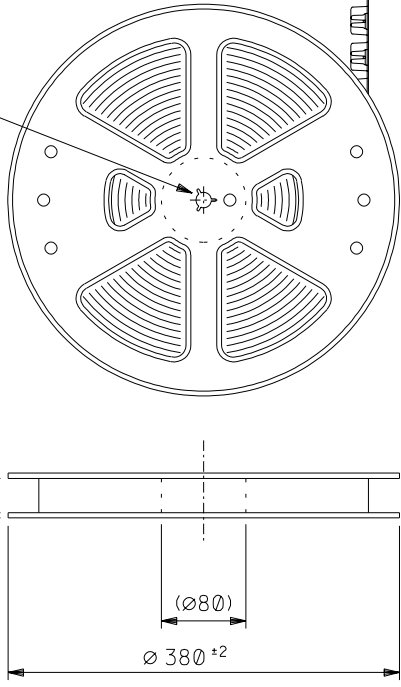
STIFFENER FILM: POLYIMIDE
BONDING AGENT: THERMOSETTING BONDING AGENT

REVISED EC NO. J2006-1497 DRAWN M. NABEI CHKD K. YODA APP. N. KITA 2005/11/04 2005/11/07 2005/11/11	GENERAL TOLERANCES (UNLESS SPECIFIED)		DIMENSION STYLE MM ONLY		SCALE ---	DESIGN UNITS METRIC	THIRD ANGLE PROJECTION
	10 UNDER	±0.2	DRAWN BY M. NABEI	DATE '04/02/19	TITLE 1.0 FFC CONN. NON ZIF SMT. ST. -LEAD FREE-		
	10 OVER 30 UNDER	±0.25	CHECKED BY M. SASAO	DATE '04/02/19			
	30 OVER	±0.3	APPROVED BY M. SASAO	DATE '04/02/19	MOLEX INCORPORATED		
ANGULAR	±3 °	DRAFT WHERE APPLICABLE MUST REMAIN WITHIN DIMENSIONS		MATERIAL NO. SEE CHART	DOCUMENT NO. SD-52808-027	SHEET NO. 2 OF 2	
THIS DRAWING CONTAINS INFORMATION THAT IS PROPRIETARY TO MOLEX INCORPORATED AND SHOULD NOT BE USED WITHOUT WRITTEN PERMISSION							

引き出し方向
PULL OUT

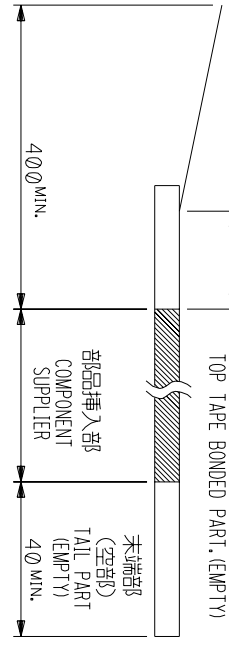


引き出し方向
PULL OUT DIRECTION

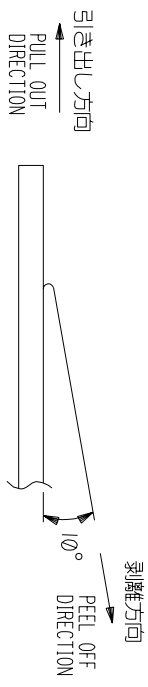


NOTES

1. 製品詳細寸法については図面 SD-52808-027 を参照下さい。
RE DETAILED DIMENSION, SEE SD-52808-027
2. 梱包数量: 1000個/リール
NUMBER OF CONNECTORS: 1000PCS/REEL
3. リードテープ長さ LEAD TAPE LENGTH
20PCS. MIN. トッパテープ接着部 (空エンプス)
TOP TAPE BONDED PART. (EMPTY)



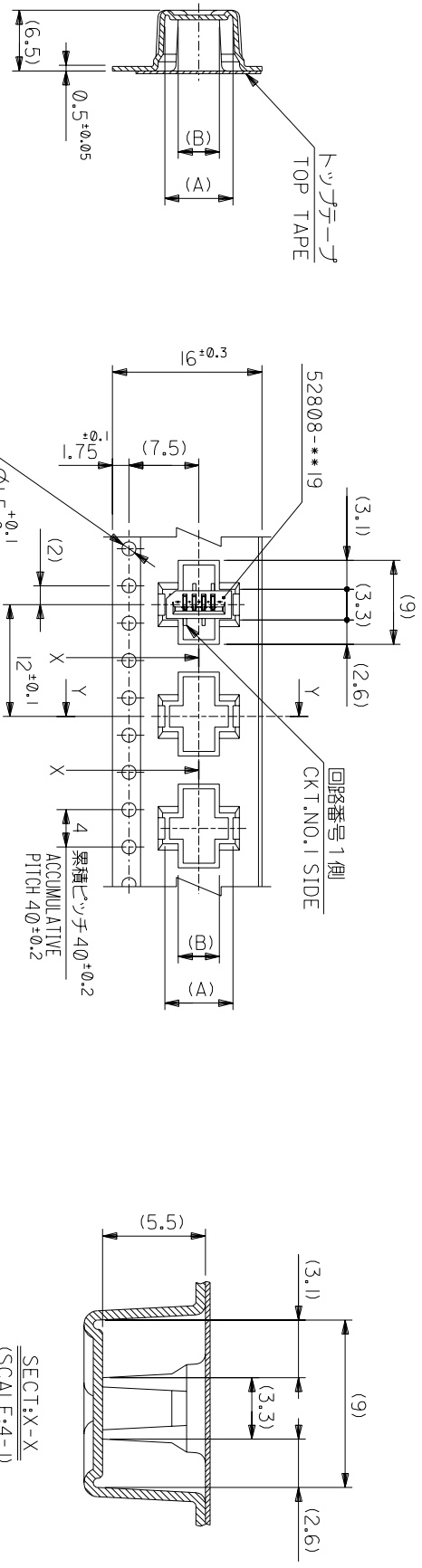
4. トッパテープの剥離強度: 0.1 ~ 1.3N (10 ~ 130gf)
(剥離方向は下図参照)
尚、本規格値は出荷時に適用。(但し、輸送時に剥離が発生しないこと。)
PEELING OFF FORCE OF TOP TAPE: 0.1 ~ 1.3N (10 ~ 130gf)
(PEELING DIRECTION AS SHOWN IN FOLLOWING FIG.)
THIS REQUIREMENT SHOULD BE APPLIED AT SHIPMENT.
PEEL OFF SHOULD NOT BE ALLOWED, DURING TRANSPORTATION.



5. 材料 (MATERIAL)
キャリアテープ (CARRIER TAPE): ポリプロピレン (POLYPROPYLENE)
トッパテープ (TOP TAPE): PET, PE, PEF
リール (REEL): ポリスチレン (PS) <リサイクル材を含む>
POLYSTYRENE (PS) RECYCLE MATERIAL CONTAINED>
6. 本製品は 52808-**-90 の鉛フリー品である。
THIS PRODUCT IS LEAD FREE OF 52808-**-90

角度 ANGLE	±3°	材料 MATERIAL	注記参照 SEE NOTES	REVISE ONLY ON CAD SYSTEM
30 以上 以下	±0.3	仕上り FINISH	#	
10 以上 30 以下	±0.25	適用電線範囲 WIRE RANGE	#	
10 以下	±0.2	検査外径 INS. RANGE	#	
公差 GENERAL TOLERANCES		DRAWN BY: M/M/2/9 M.NABEI	CHK'D BY: M/M/2/9 M.SASAO	DWG. NO. SD-52808-028 (SHEET 1 OF 6) REV 0
記号 LTR	0	変更内容 REVISION RECORD	DR-CHK. DATE	
0		新規作成 RELEASED (2004-2528)	M.NABEI	
1		変更内容 REVISION RECORD	DR-CHK. DATE	

THIS DRAWING CONTAINS INFORMATION THAT IS PROPRIETARY TO MOLEX/JAPAN AND SHOULD NOT BE USED WITHOUT WRITTEN PERMISSION FROM MOLEX/JAPAN. THIS DRAWING IS THE PROPERTY OF MOLEX/JAPAN AND SHOULD NOT BE USED WITHOUT WRITTEN PERMISSION FROM MOLEX/JAPAN.



16mm幅キヤリヤテープ
16mm WIDTH CARRIER TAPE

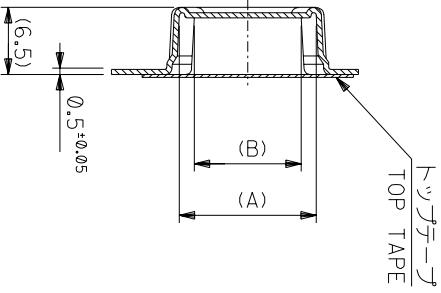
角度 ANGLE	3°
30以上	10.2
10以下	1.4, 1.5
10 UNDER	1.4, 1.5
30 UNDER	1.4, 1.5
10 UNDER	1.4, 1.5
一般公差	±0.2
公差	±0.2

記号	0	新規作成	(12/04/25/28)
変更内容			
REVISION RECORD			
DR. / CHK.	M.S. / M.S.	DATE	
DR. / CHK.	M.S. / M.S.	DATE	

MODEL NO.	52808-**-70	16	17.5	5.4	8.3	52808-0570	5
CARRIER TAPE WIDTH	キヤリヤテープ幅	16	17.5	5.4	8.3	52808-0470	4
MATERIAL NO.	材料	C	(B)	(A)	MATERIAL NO.	種数	4
REFER TO SHEET 1 OF 6	参照					枚数	4
REFER TO SHEET 1 OF 6	参照					枚数	4

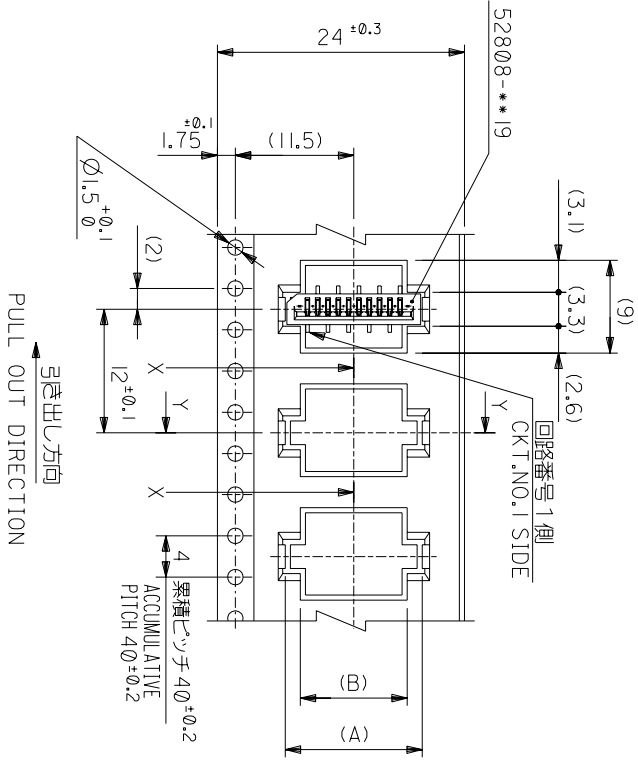
仕上げ FINISH	—#—	REVISE ONLY ON CAD SYSTEM
適用電線範囲 WIRE RANGE	—#—	
標準外径 INS. RANGE	—#—	
DRAWN BY 04/02/19	CHK'D BY 04/02/19	
M.NABEI	M.SASAO	
尺度 SCALE	—#—	
DWG. NO.	SD-52808-028	
(SHEET 2 OF 6)		
REV	0	

THIS DRAWING CONTAINS INFORMATION THAT IS PROPRIETARY TO MOLEX(JAPAN) AND SHOULD NOT BE USED WITHOUT WRITTEN PERMISSION
 本図面は日本モリス(株)の所有する情報を含むもので 当社の許可なく複製を禁止する。

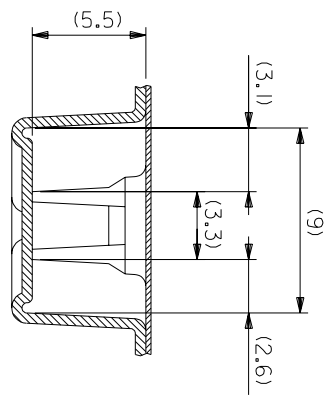


SECT:Y-Y

24mm幅キヤリヤテープ
24mm WIDTH CARRIER TAPE



引き出し方向
PULL OUT DIRECTION



SECT:X-X
(SCALE:4-1)

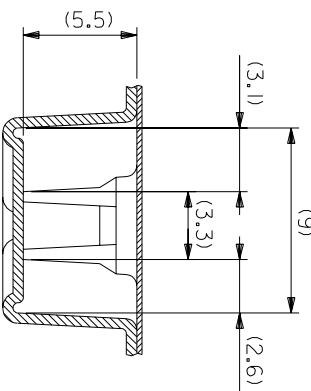
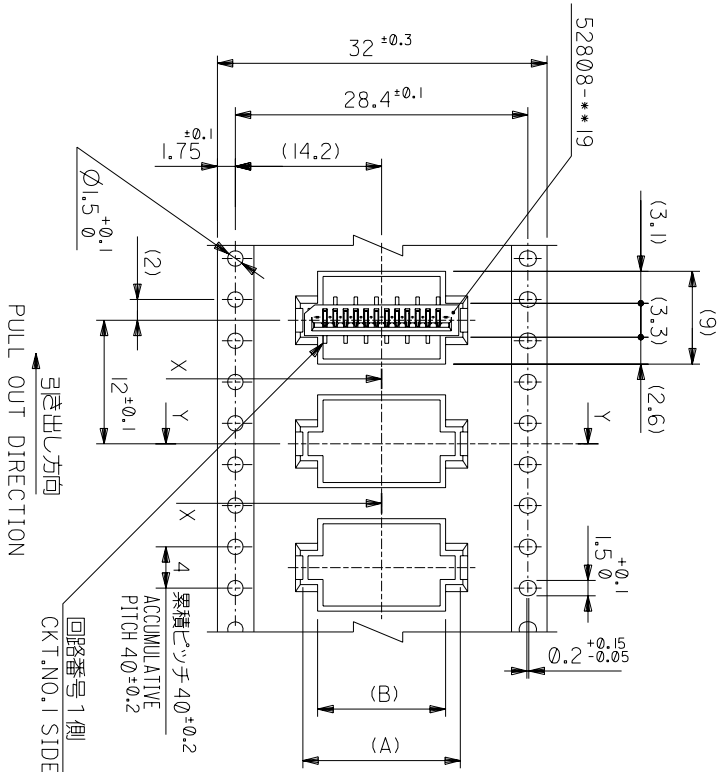
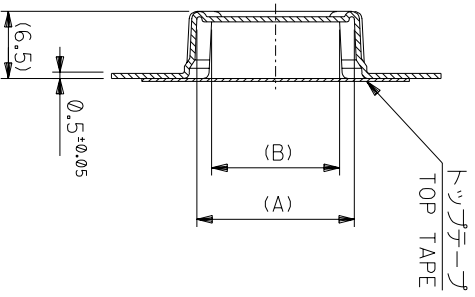
MODEL NO.	キャリアテープ幅 CARRIER TAPE WIDTH	C	(B)	(A)	種数 CKT.
52808-**70	24	25.5	10.4 9.4 8.4 7.4 6.4	13.3 12.3 11.3 10.3 9.3	10 9 8 7 6

材料 MATERIAL	参照 REFER TO SHEET 1 OF 6	MOLEX-JAPAN CO.,LTD. 日本モリス株式会社
仕上り FINISH	—#—	REVISE ONLY ON CAD SYSTEM
適用電線範囲 WIRE RANGE	—#—	TITLE 名称
検査外径 INS. RANGE	—#—	I.O FCC Conn NON ZIF
DRAWN BY 04/02/19	CHK'D BY 04/02/19	SMT ST Embstd PKG
M.NABEJI	M.SASAO	-LEAD FREE-
APP'D BY 04/02/19	SCALE 1/1	DWG. NO. (SHEET 3 OF 6)
M.SASAO	DATE	SD-52808-028

角度 ANGLE	3°
30 以上	10.2
10 以下	14.25
10 未満	16.2

一般公差 GENERAL TOLERANCES	記号 LTR	変更内容 REVISION RECORD	DR- CHK.	DATE
0	新規作成 (12/04-2528)			

THIS DRAWING CONTAINS INFORMATION THAT IS PROPRIETARY TO MOLEX(JAPAN) AND SHOULD NOT BE USED WITHOUT WRITTEN PERMISSION
本図面は日本モリス(株)の所有する情報を含むもので 当社の許可なく複製を禁止する。



32mm幅キヤリテープ
32mm WIDTH CARRIER TAPE

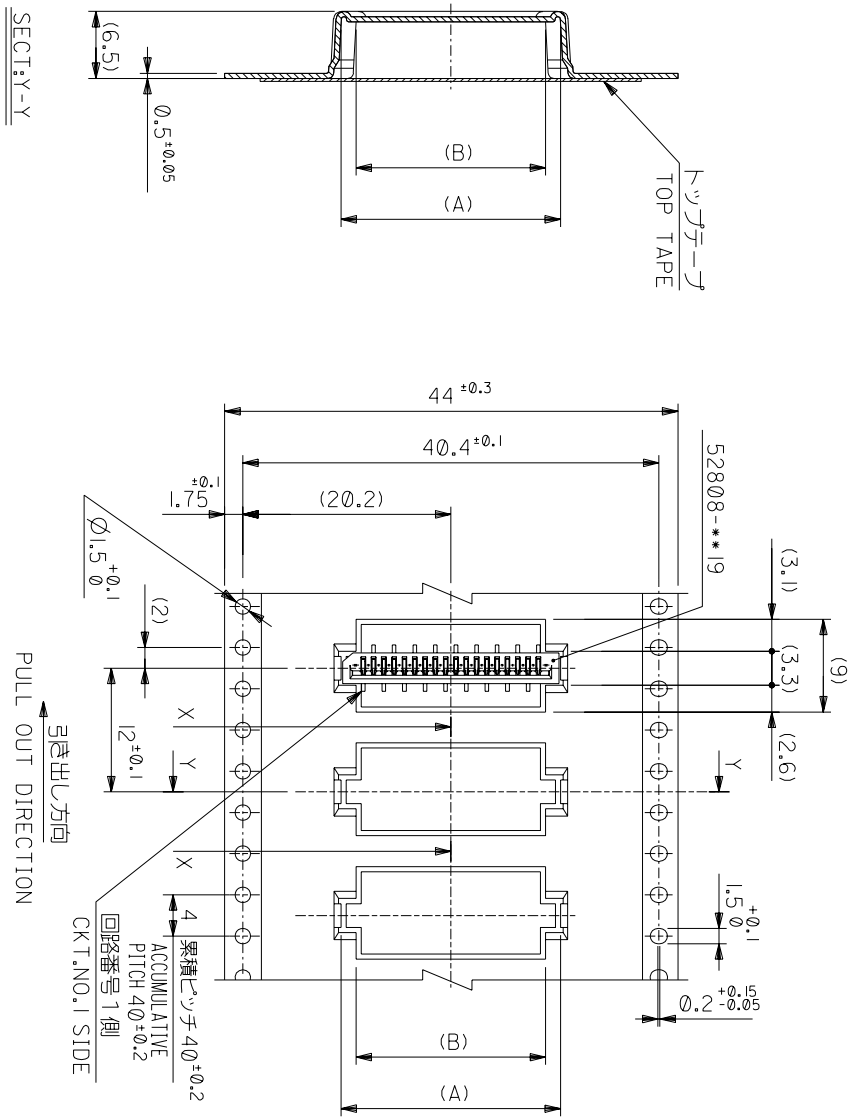
MODEL NO.	52808-**-70	キヤリテープ幅 CARRIER TAPE WIDTH	C	(B)	(A)	種数 CKT.
	32		33.5	15.4	18.3	15
				14.4	17.3	14
				13.4	16.3	13
				12.4	15.3	12
				11.4	14.3	11

材料 MATERIAL	SHEET 1 OF 6 参照 REFER TO SHEET 1 OF 6	MOLEX-JAPAN CO.,LTD. 日本モリス株式会社
仕上げ FINISH	—#—	REVISE ONLY ON CAD SYSTEM
適用電線範囲 WIRE RANGE	—#—	
検査外径 INS. RANGE	—#—	
DRAWN BY	04/02/19	CHK'D BY
APP'D BY	04/02/19	SCALE
M.NABEJI	M.SASAO	
DRG. NO.	SD-52808-028	(SHEET 4 OF 6)
REV	0	

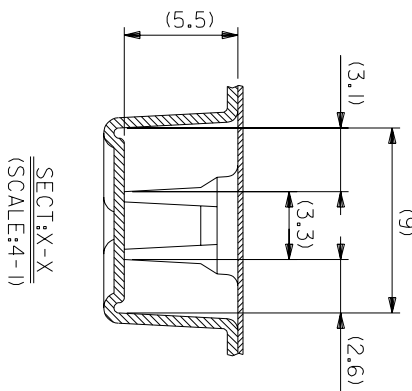
角度 ANGLE	±3°
30以上 INCH	±0.2
10以下 INCH	±0.25
10以下 INCH	±0.2
一般公差 GENERAL TOLERANCES	

記号 LTR	0	新規作成 NEW	12/04/25/20
変更内容 REVISION			
DR-CHK.	MAN	M.S	04/02/19
DATE	日付		

THIS DRAWING CONTAINS INFORMATION THAT IS PROPRIETARY TO MOLEX(JAPAN) AND SHOULD NOT BE USED WITHOUT WRITTEN PERMISSION
本図面は日本モリス(株)の所有する情報を含むもので 当社の許可なく複製を禁止する。



44mm幅キャリアテープ
44mm WIDTH CARRIER TAPE



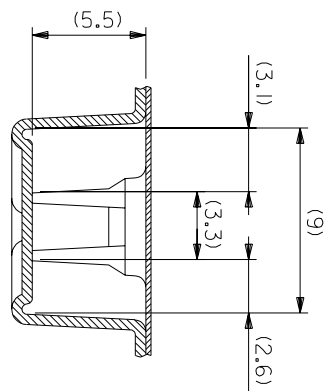
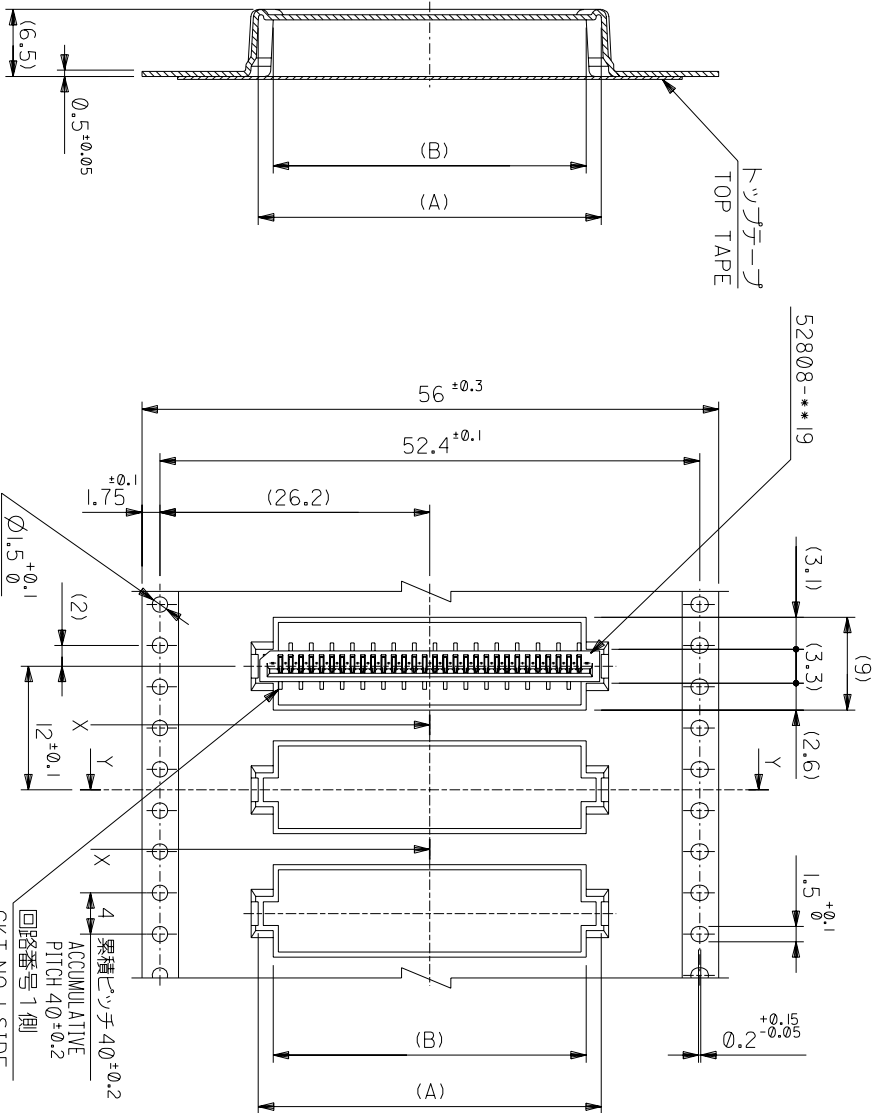
引き出し方向
PULL OUT DIRECTION

MODEL NO.	CARRIER TAPE WIDTH	C	(B)	(A)	MATERIAL NO.	種数 CKT.
52808-***70	44	45.5	28.4	31.3	52808-2870	28
			27.4	30.3	52808-2770	27
			26.4	29.3	52808-2670	26
			25.4	28.3	52808-2570	25
			24.4	27.3	52808-2470	24
			23.4	26.3	52808-2370	23
			22.4	25.3	52808-2270	22
			21.4	24.3	52808-2170	21
			20.4	23.3	52808-2070	20
			19.4	22.3	52808-1970	19
			18.4	21.3	52808-1870	18
			17.4	20.3	52808-1770	17
			16.4	19.3	52808-1670	16

材料 MATERIAL	キャリアテープ幅 CARRIER TAPE WIDTH	44	45.5
SHEET 1 OF 6 参照 REFER TO SHEET 1 OF 6	仕上げ FINISH	—	—
適用電線範囲 WIRE RANGE	—	—	—
検査外径 INS. RANGE	—	—	—
DRAWN BY 04/02/19 M.NABEI	CHK'D BY 04/02/19 M.SASAO	尺 SCALE	—

角度 ANGLE	3°
30 以上 INCH	1.4, 2.5
10 以下 INCH	1.4, 2.5
10 以下 INCH	1.4, 2.5
一般公差 GENERAL TOLERANCES	±0.2
記号 LTR	0
変更内容 REVISION RECORD	0 新製作成 (12004-2528)
DR-CHK.	DATE

THIS DRAWING CONTAINS INFORMATION THAT IS PROPRIETARY TO MOLEX(JAPAN) AND SHOULD NOT BE USED WITHOUT WRITTEN PERMISSION
本図面は日本モリス(株)の所有する情報を含むもので 当社の許可なく複製を禁止する。



56mm幅キヤリヤテープ
56mm WIDTH CARRIER TAPE

SECT: Y-Y

PULL OUT DIRECTION

引き出し方向

CT: NO.1 SIDE

52808-**-70	MODEL NO.	56	57.5	30.4	29.4	32.3	33.3	52808-3070	30
56	CARRIER TAPE WIDTH							52808-2970	29

56	57.5	30.4	29.4	32.3	33.3	52808-3070	30

56	57.5	30.4	29.4	32.3	33.3	52808-3070	30

56	57.5	30.4	29.4	32.3	33.3	52808-3070	30

56	57.5	30.4	29.4	32.3	33.3	52808-3070	30

56	57.5	30.4	29.4	32.3	33.3	52808-3070	30

56	57.5	30.4	29.4	32.3	33.3	52808-3070	30

56	57.5	30.4	29.4	32.3	33.3	52808-3070	30

56	57.5	30.4	29.4	32.3	33.3	52808-3070	30

THIS DRAWING CONTAINS INFORMATION THAT IS PROPRIETARY TO MOLEX (JAPAN) AND SHOULD NOT BE USED WITHOUT WRITTEN PERMISSION FROM MOLEX (JAPAN) OR MOLEX (USA).
本図面は日本モリス（株）の所有する情報を含むもので 当社の許可なく複製を禁止する。