

PLEASE CHECK WWW.MOLEX.COM FOR LATEST PART INFORMATION

Part Number: [0522711479](#)
Status: **Active**
Overview:
Description: 1.00mm (.039") Pitch FFC/FPC Connector, Right Angle, SMT, ZIF, Bottom Contact Style, 14 Circuits, Lead-free, High Barrier Packaging

Agency Certification

CSA LR19980
 UL E29179

General

Product Family FFC/FPC Connectors
 Series [52271](#)
 Overview [ffc_fpc_smt](#)
 Product Name N/A

Physical

Circuits (Loaded) 14
 Color - Resin Natural
 Contact Position Bottom
 Durability (mating cycles max) 30
 Entry Angle 90° Angle
 Flammability 94V-0
 Mated Height (in) 0.118 In
 Mated Height (mm) 3.00 mm
 Material - Metal Phosphor Bronze
 Material - Plating Mating Tin-Bismuth
 Material - Plating Termination Tin-Bismuth
 Material - Resin Nylon
 Number of Rows 1
 Orientation Right Angle
 PCB Locator No
 PCB Retention Yes
 Packaging Type Embossed Tape on Reel
 Pitch - Mating Interface (in) 0.039 In
 Pitch - Mating Interface (mm) 1.00 mm
 Polarized to PCB Yes
 Stackable No
 Temperature Range - Operating -40°C to +85°C
 Termination Interface: Style Surface Mount
 Wire/Cable Type FFC/FPC

Electrical

Current - Maximum per Contact 0.5A
 Voltage - Maximum 50V AC (RMS)/DC

Material Info

Reference - Drawing Numbers

Application Specification AS-52271-001
 Packaging Specification SPK-52271-001, SPK-52271-002
 Product Specification PS-52271-053, RPS-52271-066, RPS-52271-067, RPS-52271-069, RPS-52271-070, RPS-52271-072, RPS-52271-073, RPS-52271-075, RPS-52271-080, RPS-52271-085, RPS-52271-087, RPS-52271-091
 Sales Drawing SD-52271-036, SD-52271-037

<p>EU RoHS ELV and RoHS Compliant REACH SVHC Contains SVHC: No Halogen-Free Status Not Halogen-Free</p>	<p>China RoHS</p> 
--	--

Need more information on product environmental compliance?

Email productcompliance@molex.com
 For a multiple part number RoHS Certificate of Compliance, [click here](#)

Please visit the [Contact Us](#) section for any non-product compliance questions.

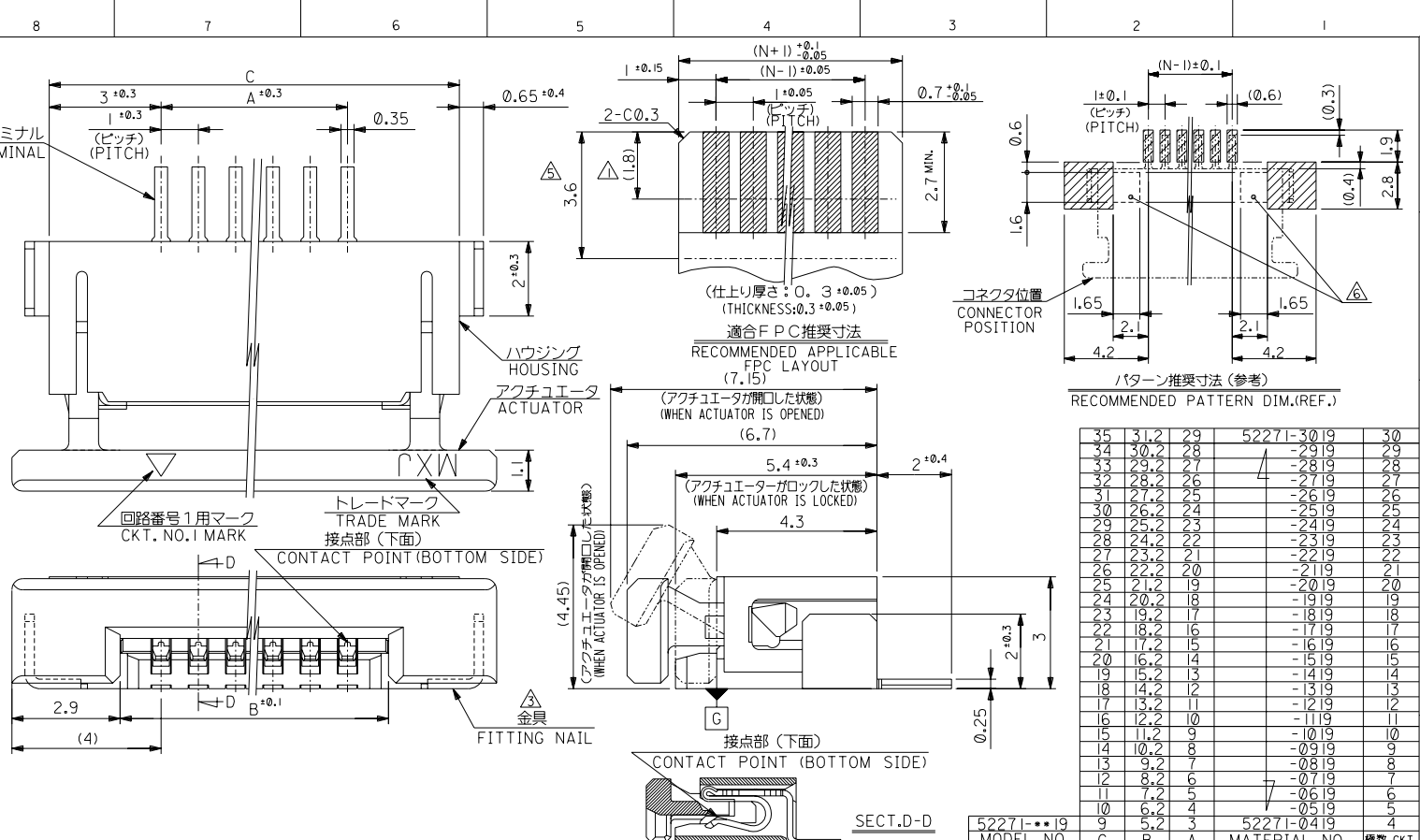
Search Parts in this Series
[52271Series](#)

This document was generated on 06/04/2010

PLEASE CHECK WWW.MOLEX.COM FOR LATEST PART INFORMATION

DWG. NO. SD-52271-036

MM DIMENSIONS IN METRIC DO NOT SCALE DRAWING



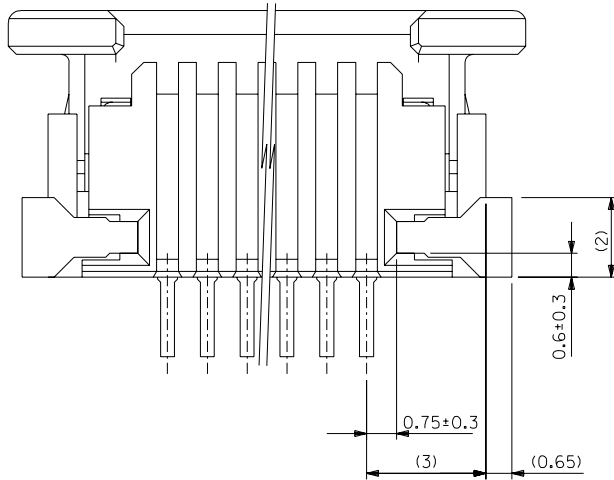
パターン推奨寸法 (参考)		RECOMMENDED PATTERN DIM.(REF.)	
35	31.2	29	52271-30
34	30.2	28	-29
33	29.2	27	-28
32	28.2	26	-27
31	27.2	25	-26
30	26.2	24	-25
29	25.2	23	-24
28	24.2	22	-23
27	23.2	21	-22
26	22.2	20	-21
25	21.2	19	-20
24	20.2	18	-19
23	19.2	17	-18
22	18.2	16	-17
21	17.2	15	-16
20	16.2	14	-15
19	15.2	13	-14
18	14.2	12	-13
17	13.2	11	-12
16	12.2	10	-11
15	11.2	9	-10
14	10.2	8	-9
13	9.2	7	-8
12	8.2	6	-7
11	7.2	5	-6
10	6.2	4	-5
9	5.2	3	-4
52271-019		52271-049	
MODEL NO.		MATERIAL NO.	
C B		A	
		種数 CKT.	

52271-019	52271-049	52271-036	52271-036
MODEL NO.	MATERIAL NO.	種数 CKT.	
C B	A		
材料 MATERIAL		注記参照 SEE NOTES	
仕上げ FINISH		注記参照 SEE NOTES	
適用電線範囲 WIRE RANGE		適用電線範囲 INS. RANGE	
被覆外径 INS. RANGE		被覆外径 INS. RANGE	
DRAWN BY 04/03/12		CHK'D BY 04/03/12	
KAWABATA		K. ITOJO	
APP'D BY 04/03/12		尺度 SCALE	
M.SASAO			

角度 ANGLE	°	公差 TOLERANCE	変更 REVISION	理由 REASON	作成日 DATE	作成者 CREATOR	承認日 DATE	承認者 APPROVER
30以上 OVER	+0.3	B	変更 REVIS	12004-355D	04/04/08			
10以上 OVER 30 未満 UNDER	+0.25	A	変更 REVIS	12004-337D	04/03/25			
10 未満 UNDER	+0.2	0	新規作成 RELEASED	12004-305D	04/03/12			

THIS DRAWING CONTAINS INFORMATION THAT IS PROPRIETARY TO MOLEX/JAPAN AND SHOULD NOT BE USED WITHOUT WRITTEN PERMISSION. 本図面は日本モレックス(株)の所有する情報を含むもので、当社の許可なく複製を禁止する。 EN-01C(032)MXJ-32

8 7 6 5 4 3 2 1



下面図

注記 NOTES

- △ 接点部までの嵌合長さ。
LENGTH TO CONTACT POINT.
- 2. 使用材料 MATERIAL
 - ハウジング : 46ナイロン, UL94V-0
 - アクチュエータ : PPS, UL94V-0
 - ターミナル : ジン青銅 (t=0.25)
 - メッキ : PHOS-BRO.(t=0.25)
 - メッキ : 銅-ビスムス 1.0 マイクロメートル以上
 - メッキ : ニッケル下地 1.0 マイクロメートル以上
- △ パターンはくり止め用金具
FITTING NAIL FOR PREVENTION OF PEELING OF P.C.B.PATTERN.
- 4. エンボステーパ梱包時は、アクチュエータがロックした状態とする。
WHEN CONNECTOR IS SHIPPED, ACTUATOR SHOULD BE LOCKED.
- △ FPC挿入深さ。
INSERTION DEPTH OF FPC
- △ パターン書き込み禁止エリア。
NO FOOT PRINT AREA.
- 7. 本製品は52271-**-17の鉛フリー品である。
THIS PRODUCT IS LEAD FREE OF 52271-**-17.

FPCについて:

打抜き方向は導体側から補強板側を推奨致します。
補強フィルム材質はポリイミドを推奨致します。
接着剤は熱硬化接着剤を推奨致します。

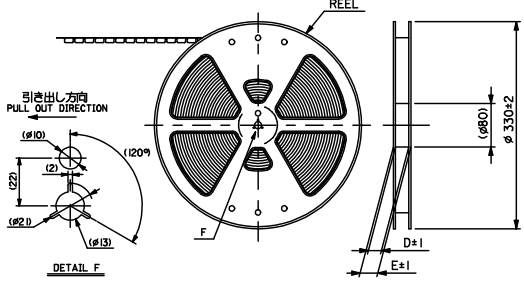
ABOUT FPC:
RECOMMENDED PUNCHER DIRECTION FROM CONDUCTOR SIDE TO STIFFENER BOARD SIDE.
RECOMMENDED MATERIAL :
STIFFENER FILM : POLYIMIDE
BONDING AGENT : THERMOSETTING BONDING AGENT

MODEL NO. 52271-**-19

		材料 MATERIAL		注記参照 SEE NOTES		MOLEX-JAPAN CO.,LTD. 日本モレックス株式会社	
		仕上げ FINISH		注記参照 SEE NOTES		REVISE ONLY ON CAD SYSTEM	
		適用電線範囲 WIRE RANGE		---		TITLE 名称 I.O FPC CONN. Z.I.F. SMT (BOTTOM CONTACT) -LEAD FREE-	
		被覆外径 INS. RANGE		---		DWG. NO. (SHEET 2 OF 2) REV SD-52271-036 B	
角度 ANGLE		+3°		DRAWN BY: 04/03/12 H.KAWABATA K.TOJO		尺度 SCALE	
30以上 OVER		+0.3		CHK'D BY: 04/03/12			
10以上 未満 OVER 30 UNDER		+0.25		APP'D BY: 04/03/12 M.SASAO			
10未満 UNDER		+0.2					
一般公差 GENERAL TOLERANCES		記号 LTR		変更内容 REVISION RECORD		DR. CHK. DATE	

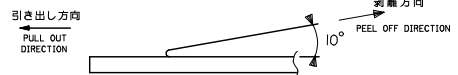
THIS DRAWING CONTAINS INFORMATION THAT IS PROPRIETARY TO MOLEX/JAPAN AND SHOULD NOT BE USED WITHOUT WRITTEN PERMISSION
本図面は日本モレックス(株)の所有する情報を含むもので、当社の許可なく複製を禁止する。 EN-01C(032)MXJ-32

8 7 6 5 4 3 2 1

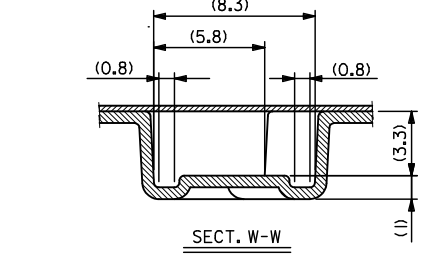
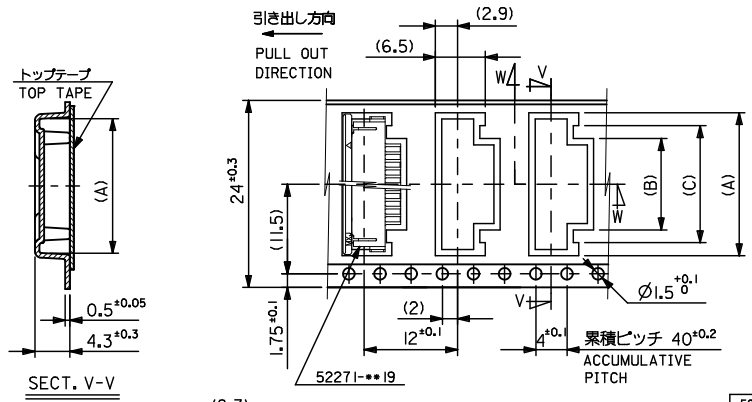


NOTES

- 製品番号 52271-**19 の梱包状態はアクチュエータがロックした状態とする。
IN THE PACKAGE, ACTUATOR OF PART NO. 52271-**19 SHOULD BE LOCKED RE DETAILED DIMENSIONS, SEE SD-52271-036.
- 梱包数量：1000個/リール
NUMBER OF CONNECTORS：1000 PCS/REEL
- リードテープ長さ LEAD TAPE LENGTH
トップテープ リーダー部 TOP TAPE LEADER PART 175±25
トップテープ 未接着部 TOP TAPE NON-BONDED PART 25±5
- トップテープの剥離強度：0.1～1.3N (10～130gf) (剥離方向は図参照) 尚、本規格値は、出荷時に適用。(但し、輸送時に剥離が発生しない事)
PEELING OFF FORCE OF TOP TAPE：0.1～1.3N (10～130gf)
(PEELING DIRECTION AS SHOWN IN FOLLOWING FIG.)
(THIS REQUIREMENT SHOULD BE APPLIED AT SHIPMENT
PEEL OFF SHOULD NOT BE ALLOWED, DURING TRANSPORTATION)



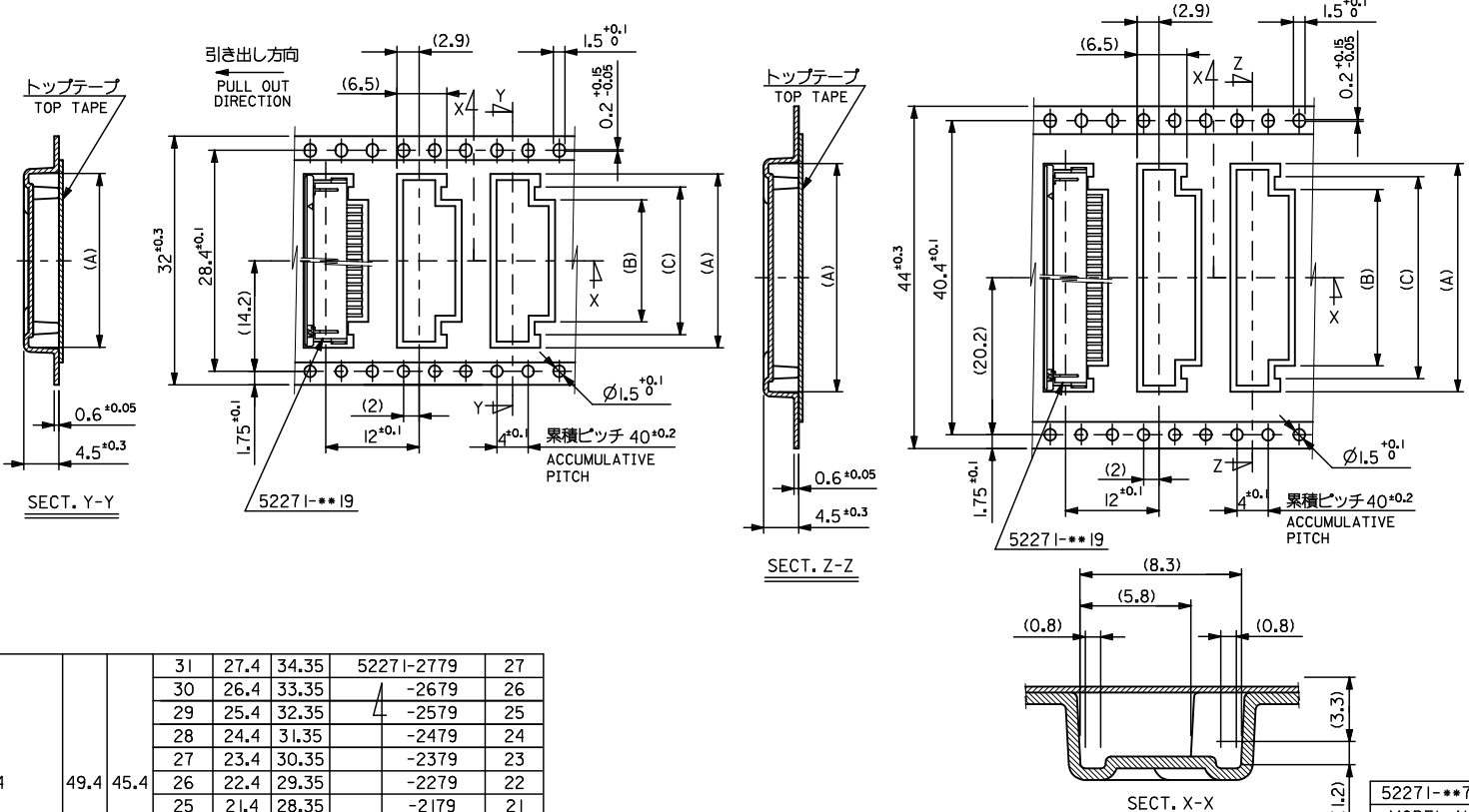
- 材料 (MATERIAL)
キャリアテープ (CARRIER TAPE)：ポリプロピレン (POLYPROPYLENE)
トップテープ (TOP TAPE)：PET, PE, PEF
リール (REEL)：ポリスチレン (PS) <リサイクル材を含む>
POLYSTYREN (PS) <RECYCLE MATERIAL CONTAINED>
- 本製品は52271-**90の鉛フリー品である。
THIS PRODUCT IS LEAD FREE OF 52271-**90.
- 本製品は乾燥剤入り、ハイバリア梱包仕様である。
THIS PRODUCT IS HIGH BARRIER PACKAGE WITH DESICCANT.



24	29.4	25.4	15	11.4	18.3	52271-1179	11	
			14	10.4	17.3	-1079	10	
			13	9.4	16.3	-0979	9	
			12	8.4	15.3	-0879	8	
			11	7.4	14.3	-0779	7	
			10	6.4	13.3	-0679	6	
			9	5.4	12.3	-0579	5	
			8	4.4	11.3	52271-0479	4	
			52271-**79	キャリアテープ幅 CARRIER TAPE WIDTH	E	D	(C)	(B)

REVISED EC NO: J2009-2061 DRAWN BY CHYUHMATSUMOTO 2009/05/21 APPROVED BY APPR:NIKIITA 2009/05/21	GENERAL TOLERANCES (UNLESS SPECIFIED)		DIMENSION STYLE MM ONLY		SCALE ---	DESIGN UNITS METRIC	THIRD ANGLE PROJECTION
	10 UNDER	±0.2	DRAWN BY H.KAWABATA	DATE 2004/03/12	TITLE EMBOSSSED TAPE PACKAGE FOR 52271-**19 -LEAD FREE-		
	10 OVER 30 UNDER	±0.25	CHECKED BY K.TOJO	DATE 2004/03/12	MOLEX INCORPORATED		
	30 OVER	±0.3	APPROVED BY M.SASAO	DATE 2004/03/12	DOCUMENT NO. SD-52271-037	SHEET NO. 1 OF 3	
ANGULAR DRAFT WHERE APPLICABLE MUST REMAIN WITHIN DIMENSIONS		±3	MATERIAL NO. SEE TABLE		SIZE A3 THIS DRAWING CONTAINS INFORMATION THAT IS PROPRIETARY TO MOLEX INCORPORATED AND SHOULD NOT BE USED WITHOUT WRITTEN PERMISSION		

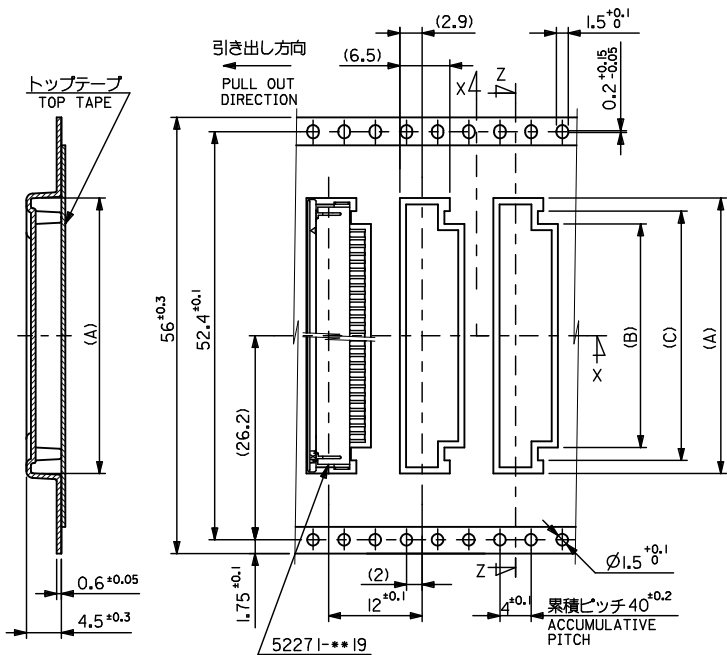
10 9 8 7 6 5 4 3 2 1



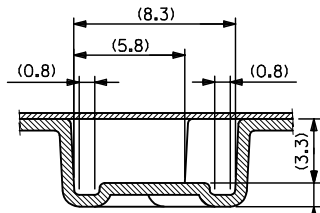
44	49.4	45.4	31	27.4	34.35	5227I-2779	27
			30	26.4	33.35	-2679	26
			29	25.4	32.35	-2579	25
			28	24.4	31.35	-2479	24
			27	23.4	30.35	-2379	23
			26	22.4	29.35	-2279	22
			25	21.4	28.35	-2179	21
			24	20.4	27.35	-2079	20
			23	19.4	26.35	-1979	19
			22	18.4	25.35	-1879	18
			21	17.4	24.35	-1779	17
32	37.4	33.4	20	16.4	23.35	-1679	16
			19	15.4	22.35	-1579	15
			18	14.4	21.35	-1479	14
			17	13.4	20.35	-1379	13
			16	12.4	19.35	5227I-1279	12

REVISED EC NO: J2009-2061 DRAWN BY CHYKOHMATSUOTO APPROVED BY APPRENIKI TA	DESCRIPTION GENERAL TOLERANCES (UNLESS SPECIFIED) 10 UNDER ±0.2 10 OVER 30 UNDER ±0.25 30 OVER ±0.3 ANGULAR ±3 DRAFT WHERE APPLICABLE MUST REMAIN WITHIN DIMENSIONS	DIMENSION STYLE MM ONLY	SCALE ---	DESIGN UNITS METRIC	THIRD ANGLE PROJECTION	DRAWN BY H. KAWABATA CHECKED BY K. TOJO APPROVED BY M. SASAO	DATE 2004/03/12 2004/03/12 2004/03/12	TITLE EMBOSSD TAPE PACKAGE FOR 5227I-**19 -LEAD FREE-	MOLEX INCORPORATED	DOCUMENT NO. SD-5227I-037	SHEET NO. 2 OF 3

10 9 8 7 6 5 4 3 2 1



SECT. Z-Z



SECT. X-X

56	61.4	57.4	34	30.4	37.35	52271-3079	30
			33	29.4	36.35	52271-2979	29
			32	28.4	35.35	52271-2879	28
キャリアテープ幅 CARRIER TAPE WIDTH	E	D	(C)	(B)	(A)	MATERIAL NO.	巻数 Ck.F.

ib_frame_A3_J_ME_S
Rev. E 2006/04/15

REVISED		GENERAL TOLERANCES (UNLESS SPECIFIED)		DIMENSION STYLE		SCALE		MODEL NO.		52271-***79	
EC NO: J2009-2061	2009/05/20	10 UNDER	±0.2	MM ONLY		---		DESIGN UNITS		THIRD ANGLE PROJECTION	
DRAWN BY H. KAWABATA	2009/05/21	10 OVER 30 UNDER	±0.25	DATE		2004/03/12		METRIC		TITLE	
CHKD: H. MATSUMOTO	2009/05/21	30 OVER	±0.3	CHECKED BY		K. TOJO		DATE		EMBOSSSED TAPE PACKAGE FOR 52271-***19 -LEAD FREE-	
APPR: N. ITO	2009/05/21	ANGULAR	±3	APPROVED BY		M. SASAO		DATE		MOLEX INCORPORATED	
DESCRIPTION		DRAFT WHERE APPLICABLE MUST REMAIN WITHIN DIMENSIONS		MATERIAL NO.		SEE TABLE		DOCUMENT NO.		SD-52271-037	
REV		SIZE		A3		THIS DRAWING CONTAINS INFORMATION THAT IS PROPRIETARY TO MOLEX INCORPORATED AND SHOULD NOT BE USED WITHOUT WRITTEN PERMISSION		SHEET NO.		3 OF 3	

EN-02JA(021)