

PLEASE CHECK WWW.MOLEX.COM FOR LATEST PART INFORMATION

Part Number: [0520452245](#)
Status: **Active**
Overview:
Description: 1.25mm (.049") Vertical, Non-ZIF Receptacle, 22 Circuits

Agency Certification

UL E29179

General

Product Family FFC/FPC Connectors
 Series [52045](#)
 Overview ffc_fpc_throughhole
 Product Name N/A

Physical

Circuits (Loaded) 22
 Color - Resin Gray
 Contact Position N/A
 Entry Angle Vertical
 Mated Height (in) 0.315 In
 Mated Height (mm) 8.00 mm
 Material - Metal Phosphor Bronze
 Material - Plating Mating Tin
 Material - Plating Termination Tin
 Material - Resin Polyester
 Number of Rows 1
 Orientation Vertical
 PC Tail Length (in) 0.138 In
 PC Tail Length (mm) 3.50 mm
 PCB Retention None
 Packaging Type Tray
 Pitch - Mating Interface (in) 0.049 In
 Pitch - Mating Interface (mm) 1.25 mm
 Plating min: Mating (µin) 32.00, 36
 Plating min: Mating (µm) 0.800, 0.90
 Plating min: Termination (µin) BARB
 Plating min: Termination (µm) 0.80, 0.90
 Polarized to PCB Yes
 Stackable No
 Surface Mount Compatible (SMC) No
 Temperature Range - Operating -40°C to +85°C
 Termination Interface: Style Through Hole - Kinked Pin
 Wire/Cable Type FFC/FPC

Electrical

Current - Maximum per Contact 0.5A, 1A
 Voltage - Maximum 200V

Material Info

Reference - Drawing Numbers

Packaging Specification SPK-52045
 Product Specification PS-52045-001, RPS-52045-003, RPS-52045-006
 Sales Drawing SD-52045-**45

EU RoHS
ELV and RoHS
Compliant
REACH SVHC
Contains SVHC: No
Halogen-Free
Status
Not Reviewed

China RoHS



Need more information on product environmental compliance?

Email productcompliance@molex.com
 For a multiple part number RoHS Certificate of Compliance, [click here](#)

Please visit the [Contact Us](#) section for any non-product compliance questions.

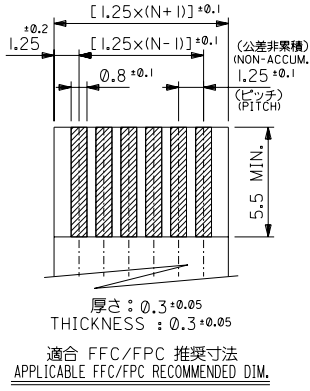
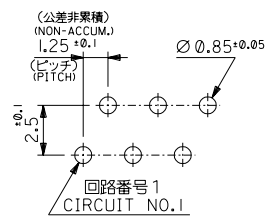
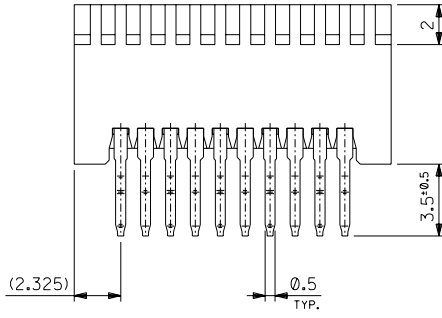
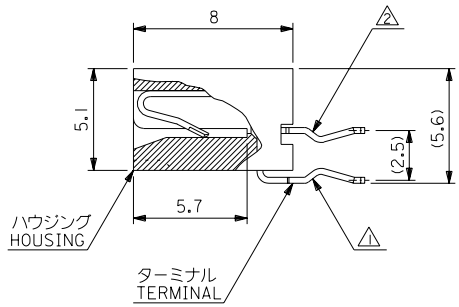
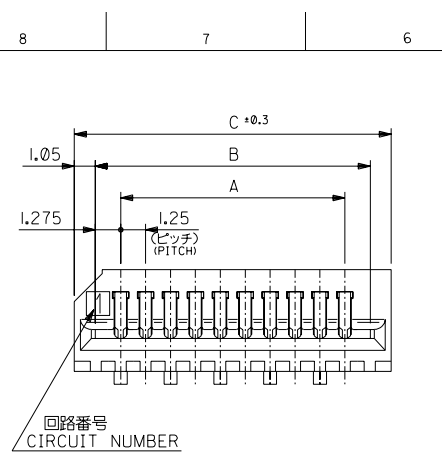
Search Parts in this Series
[52045Series](#)

This document was generated on 06/04/2010

PLEASE CHECK WWW.MOLEX.COM FOR LATEST PART INFORMATION

DWC. NO. SD-52045-***45

DIMENSIONS IN METRIC DO NOT SCALE DRAWING



注記 NOTES

- ▲ 奇数極ソルダテール。
ODD CIRCUIT SOLDER TAIL.
- ▲ 偶数極ソルダテール。
EVEN CIRCUIT SOLDER TAIL.

3. 材質 MATERIAL

ターミナル: リン青銅 (t=0.3)
 メッキ: 錫メッキ 0.9 μm 以上
 リフロー処理
 TERMINAL: PHOSPHOR BRONZE (t=0.3)
 PLATING: Sn 0.9 μm MIN.
 REFLOW TREATMENT.
 ハウジング: PBTP, UL94V-0 (灰色)
 HOUSING: PBTP, UL94V-0 (GRAY)

基板取付穴推奨寸法
 RECOMMENDED P.C.BOARD HOLE DIM.
 (厚さ: 1.6)
 (THICKNESS: 1.6)

単位 DESIGN UNITS	mm
角度 ANGLE	±3°
30 以上 OVER	±0.3
10 以上 30 未満 UNDER	±0.25
10 未満 UNDER	±0.2
一般公差 GENERAL TOLERANCES	

変更 REVISION	番号 NO.	内容 CONTENT	日付 DATE	作成者 DRAWN BY	承認者 CHECKED BY
D	1	変更 (J2003-1093)	02/02/11	K.Y.M.T	
C	1	変更 (J2002-1856)	02/2/11	K.Y.M.T	
B	1	再作図 (J40473)	04/6/06	T.N.H.H	

材料 MATERIAL	注記参照 SEE NOTES
仕上げ FINISH	—
適用電線範囲 WIRE RANGE	—
被覆外径 INS. RANGE	—
DRAWN BY	CHK'D BY
T.NITSU	H.HIRAMOTO
APP'D BY	尺度 SCALE
M.FUKUSHIMA	5 - 1

molex MOLEX-JAPAN CO.,LTD. 日本モレックス株式会社	
REVISE ONLY ON CAD SYSTEM	
TITLE 名称	
1.25 FFC CONNECTOR HS'G ASS'Y ST. TYPE	
DWG. NO.	REV
SD-52045-***45	D

無鉛 LEAD FREE				
53.4	51.3	48.75	52045-4045	40
52.15	50.05	47.5	▲	-3945 39
50.9	48.8	46.25		-3845 38
49.65	47.55	45		-3745 37
48.4	46.3	43.75		-3645 36
47.15	45.05	42.5		-3545 35
45.9	43.8	41.25		-3445 34
44.65	42.55	40		-3345 33
43.4	41.3	38.75		-3245 32
42.15	40.05	37.5		-3145 31
40.9	38.8	36.25		-3045 30
39.65	37.55	35		-2945 29
38.4	36.3	33.75		-2845 28
37.15	35.05	32.5		-2745 27
35.9	33.8	31.25		-2645 26
34.65	32.55	30		-2545 25
33.4	31.3	28.75		-2445 24
32.15	30.05	27.5		-2345 23
30.9	28.8	26.25		-2245 22
29.65	27.55	25		-2145 21
28.4	26.3	23.75		-2045 20
27.15	25.05	22.5		-1945 19
25.9	23.8	21.25		-1845 18
24.65	22.55	20		-1745 17
23.4	21.3	18.75		-1645 16
22.15	20.05	17.5		-1545 15
20.9	18.8	16.25		-1445 14
19.65	17.55	15		-1345 13
18.4	16.3	13.75		-1245 12
17.15	15.05	12.5		-1145 11
15.9	13.8	11.25		-1045 10
14.65	12.55	10		-0945 9
13.4	11.3	8.75		-0845 8
12.15	10.05	7.5		-0745 7
10.9	8.8	6.25		-0645 6
9.65	7.55	5		-0545 5
8.4	6.3	3.75		-0445 4
7.15	5.05	2.5	52045-0345	3
C	B	A	ENG. NO.	NO. OF DKT. 種数

THIS DRAWING CONTAINS INFORMATION THAT IS PROPRIETARY TO MOLEX/JAPAN AND SHOULD NOT BE USED WITHOUT WRITTEN PERMISSION
 本図面は日本モレックス(株)の所有する権利を有するもので、当社の許可なく複製を禁止する。 EN-01C(032)MXJ-32