

PLEASE CHECK WWW.MOLEX.COM FOR LATEST PART INFORMATION

Part Number: [0510470400](#)
Status: **Active**
Overview: [picoblade](#)
Description: 1.25mm (.049") Pitch PicoBlade™ Wire-to-Wire Plug Housing, 4 Circuits

Documents:

[3D Model](#) [Product Specification PS-51021-009 \(PDF\)](#)
[Drawing \(PDF\)](#) [RoHS Certificate of Compliance \(PDF\)](#)

General

Product Family	Crimp Housings
Series	51047
MolexKits	Yes
Overview	picoblade
Product Name	PicoBlade™

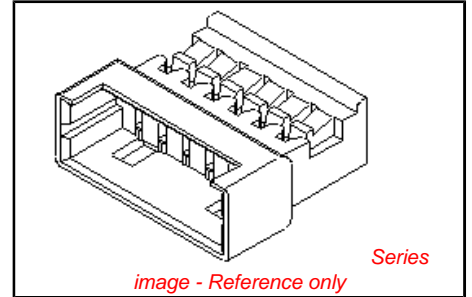
Physical

Circuits (maximum)	4
Color - Resin	Natural
Gender	Male
Glow-Wire Compliant	No
Lock to Mating Part	Yes
Material - Resin	Polyester
Number of Rows	1
Packaging Type	Bag
Panel Mount	No
Pitch - Mating Interface (in)	0.049 In
Pitch - Mating Interface (mm)	1.25 mm
Stackable	No
Temperature Range - Operating	-40°C to +85°C

Material Info

Reference - Drawing Numbers

Packaging Specification	SPK-51047-001
Product Specification	PS-51021-009, RPS-51021-033, RPS-51047-001
Sales Drawing	SD-51047-**00



<p>EU RoHS ELV and RoHS Compliant REACH SVHC Contains SVHC: No Halogen-Free Status Not Halogen-Free</p>	<p>China RoHS</p>
--	--------------------------

Need more information on product environmental compliance?

Email productcompliance@molex.com
 For a multiple part number RoHS Certificate of Compliance, [click here](#)

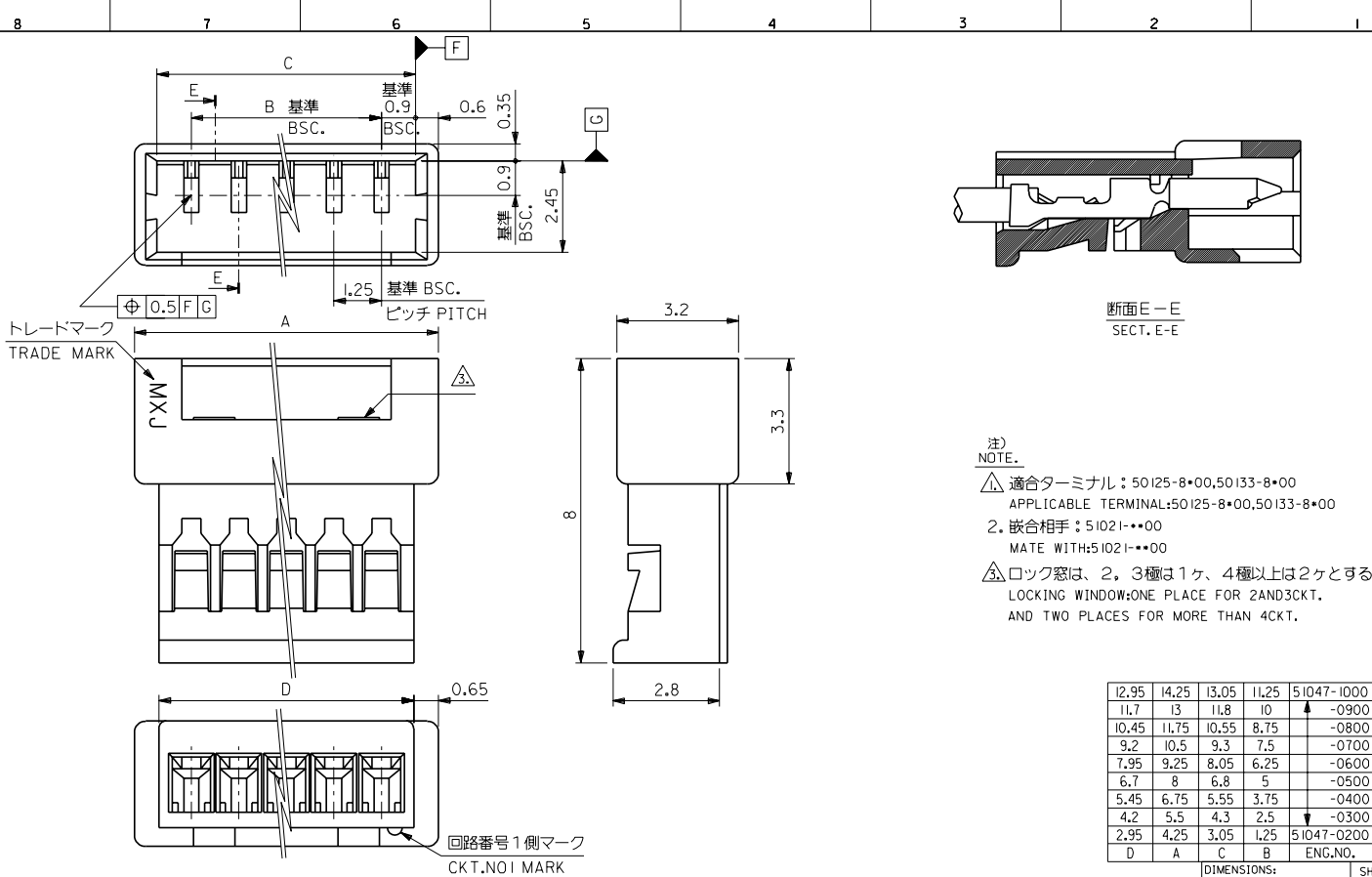
Please visit the [Contact Us](#) section for any non-product compliance questions.

Search Parts in this Series
[51047Series](#)

Mates With
[51021 housing](#)

Use With
[50125 Crimp Terminal](#), [50133 Crimp Terminal](#)

PLEASE CHECK WWW.MOLEX.COM FOR LATEST PART INFORMATION



注) NOTE.

△1 適合ターミナル: 50125-8*00, 50133-8*00
 APPLICABLE TERMINAL: 50125-8*00, 50133-8*00

2. 嵌合相手: 51021-**-00
 MATE WITH: 51021-**-00

△3 ロック窓は、2、3極は1ヶ、4極以上は2ヶとする。
 LOCKING WINDOW: ONE PLACE FOR 2AND3CKT.
 AND TWO PLACES FOR MORE THAN 4CKT.

12.95	14.25	13.05	11.25	51047-1000	10
11.7	13	11.8	10	▲ -0900	9
10.45	11.75	10.55	8.75	-0800	8
9.2	10.5	9.3	7.5	-0700	7
7.95	9.25	8.05	6.25	-0600	6
6.7	8	6.8	5	-0500	5
5.45	6.75	5.55	3.75	-0400	4
4.2	5.5	4.3	2.5	▼ -0300	3
2.95	4.25	3.05	1.25	51047-0200	2
D	A	C	B	ENG.NO.	極数 CKT.

DO NOT SCALE DRAWING			REDRAWN		MATERIAL 材料		GENERAL TOLERANCES: (UNLESS SPECIFIED) 一般公差		SCALE 10:1		DESIGN UNITS 設計単位		THIRD ANGLE PROJECTION 第三角投影		TITLE: 1.25 W/W CONN. PLG HSG.		SHT 10		REV 9		
EC NO.	DRWN:	CHK:	APPR:	EC NO.	DRWN:	CHK:	APPR:	10 UNDER 未満	+0.2	DRAWN BY & DATE	mm	INCH	mm ONLY	MATERIAL NO. 51047-**-00		DRAWING NO. SD-51047-**-00		SHEET NO. 1		SIZE I	
8				7				10 OVER 以上	+0.25	K.KOHAMA 00/ 3/28	mm		mm ONLY	MATERIAL NO. 51047-**-00		DRAWING NO. SD-51047-**-00		SHEET NO. 1		SIZE I	
								30 OVER 以上	+0.3	T.YAMAGUCHI 00/ 3/30	mm		mm ONLY	MATERIAL NO. 51047-**-00		DRAWING NO. SD-51047-**-00		SHEET NO. 1		SIZE I	
								ANGLE 角度	+3°	M.FUKUSHIMA 00/ 3/30	mm		mm ONLY	MATERIAL NO. 51047-**-00		DRAWING NO. SD-51047-**-00		SHEET NO. 1		SIZE I	
								INS. RANGE 被覆外径		CAD FILENAME	mm		mm ONLY	MATERIAL NO. 51047-**-00		DRAWING NO. SD-51047-**-00		SHEET NO. 1		SIZE I	
										S51047.S10	mm		mm ONLY	MATERIAL NO. 51047-**-00		DRAWING NO. SD-51047-**-00		SHEET NO. 1		SIZE I	
											mm		mm ONLY	MATERIAL NO. 51047-**-00		DRAWING NO. SD-51047-**-00		SHEET NO. 1		SIZE I	
											mm		mm ONLY	MATERIAL NO. 51047-**-00		DRAWING NO. SD-51047-**-00		SHEET NO. 1		SIZE I	
											mm		mm ONLY	MATERIAL NO. 51047-**-00		DRAWING NO. SD-51047-**-00		SHEET NO. 1		SIZE I	
											mm		mm ONLY	MATERIAL NO. 51047-**-00		DRAWING NO. SD-51047-**-00		SHEET NO. 1		SIZE I	
											mm		mm ONLY	MATERIAL NO. 51047-**-00		DRAWING NO. SD-51047-**-00		SHEET NO. 1		SIZE I	
											mm		mm ONLY	MATERIAL NO. 51047-**-00		DRAWING NO. SD-51047-**-00		SHEET NO. 1		SIZE I	
											mm		mm ONLY	MATERIAL NO. 51047-**-00		DRAWING NO. SD-51047-**-00		SHEET NO. 1		SIZE I	
											mm		mm ONLY	MATERIAL NO. 51047-**-00		DRAWING NO. SD-51047-**-00		SHEET NO. 1		SIZE I	
											mm		mm ONLY	MATERIAL NO. 51047-**-00		DRAWING NO. SD-51047-**-00		SHEET NO. 1		SIZE I	
											mm		mm ONLY	MATERIAL NO. 51047-**-00		DRAWING NO. SD-51047-**-00		SHEET NO. 1		SIZE I	
											mm		mm ONLY	MATERIAL NO. 51047-**-00		DRAWING NO. SD-51047-**-00		SHEET NO. 1		SIZE I	
											mm		mm ONLY	MATERIAL NO. 51047-**-00		DRAWING NO. SD-51047-**-00		SHEET NO. 1		SIZE I	
											mm		mm ONLY	MATERIAL NO. 51047-**-00		DRAWING NO. SD-51047-**-00		SHEET NO. 1		SIZE I	
											mm		mm ONLY	MATERIAL NO. 51047-**-00		DRAWING NO. SD-51047-**-00		SHEET NO. 1		SIZE I	
											mm		mm ONLY	MATERIAL NO. 51047-**-00		DRAWING NO. SD-51047-**-00		SHEET NO. 1		SIZE I	
											mm		mm ONLY	MATERIAL NO. 51047-**-00		DRAWING NO. SD-51047-**-00		SHEET NO. 1		SIZE I	
											mm		mm ONLY	MATERIAL NO. 51047-**-00		DRAWING NO. SD-51047-**-00		SHEET NO. 1		SIZE I	
											mm		mm ONLY	MATERIAL NO. 51047-**-00		DRAWING NO. SD-51047-**-00		SHEET NO. 1		SIZE I	
											mm		mm ONLY	MATERIAL NO. 51047-**-00		DRAWING NO. SD-51047-**-00		SHEET NO. 1		SIZE I	
											mm		mm ONLY	MATERIAL NO. 51047-**-00		DRAWING NO. SD-51047-**-00		SHEET NO. 1		SIZE I	
											mm		mm ONLY	MATERIAL NO. 51047-**-00		DRAWING NO. SD-51047-**-00		SHEET NO. 1		SIZE I	
											mm		mm ONLY	MATERIAL NO. 51047-**-00		DRAWING NO. SD-51047-**-00		SHEET NO. 1		SIZE I	
											mm		mm ONLY	MATERIAL NO. 51047-**-00		DRAWING NO. SD-51047-**-00		SHEET NO. 1		SIZE I	
											mm		mm ONLY	MATERIAL NO. 51047-**-00		DRAWING NO. SD-51047-**-00		SHEET NO. 1		SIZE I	
											mm		mm ONLY	MATERIAL NO. 51047-**-00		DRAWING NO. SD-51047-**-00		SHEET NO. 1		SIZE I	
											mm		mm ONLY	MATERIAL NO. 51047-**-00		DRAWING NO. SD-51047-**-00		SHEET NO. 1		SIZE I	
											mm		mm ONLY	MATERIAL NO. 51047-**-00		DRAWING NO. SD-51047-**-00		SHEET NO. 1		SIZE I	
											mm		mm ONLY	MATERIAL NO. 51047-**-00		DRAWING NO. SD-51047-**-00		SHEET NO. 1		SIZE I	
											mm		mm ONLY	MATERIAL NO. 51047-**-00		DRAWING NO. SD-51047-**-00		SHEET NO. 1		SIZE I	
											mm		mm ONLY	MATERIAL NO. 51047-**-00		DRAWING NO. SD-51047-**-00		SHEET NO. 1		SIZE I	
											mm		mm ONLY	MATERIAL NO. 51047-**-00		DRAWING NO. SD-51047-**-00		SHEET NO. 1		SIZE I	
											mm		mm ONLY	MATERIAL NO. 51047-**-00		DRAWING NO. SD-51047-**-00		SHEET NO. 1		SIZE I	
											mm		mm ONLY	MATERIAL NO. 51047-**-00		DRAWING NO. SD-51047-**-00		SHEET NO. 1		SIZE I	
											mm		mm ONLY	MATERIAL NO. 51047-**-00		DRAWING NO. SD-51047-**-00		SHEET NO. 1		SIZE I	
											mm		mm ONLY	MATERIAL NO. 51047-**-00		DRAWING NO. SD-51047-**-00		SHEET NO. 1		SIZE I	
											mm		mm ONLY	MATERIAL NO. 51047-**-00		DRAWING NO. SD-51047-**-00		SHEET NO. 1		SIZE I	
											mm		mm ONLY	MATERIAL NO. 51047-**-00		DRAWING NO. SD-51047-**-00		SHEET NO. 1		SIZE I	
											mm		mm ONLY	MATERIAL NO. 51047-**-00		DRAWING NO. SD-51047-**-00		SHEET NO. 1		SIZE I	
											mm		mm ONLY	MATERIAL NO. 51047-**-00		DRAWING NO. SD-51047-**-00		SHEET NO. 1		SIZE I	
											mm		mm ONLY	MATERIAL NO. 51047-**-00		DRAWING NO. SD-51047-**-00		SHEET NO. 1		SIZE I	
											mm		mm ONLY	MATERIAL NO. 51047-**-00		DRAWING NO. SD-51047-**-00		SHEET NO. 1		SIZE I	
											mm		mm ONLY	MATERIAL NO. 51047-**-00		DRAWING NO. SD-51047-**-00		SHEET NO. 1		SIZE I	
											mm		mm ONLY	MATERIAL NO. 51047-**-00		DRAWING NO. SD-51047-**-00		SHEET NO. 1		SIZE I	
											mm		mm ONLY	MATERIAL NO. 51047-**-00		DRAWING NO. SD-51047-**-00		SHEET NO. 1		SIZE I	
											mm		mm ONLY	MATERIAL NO. 51047-**-00		DRAWING NO. SD-51047-**-00		SHEET NO. 1		SIZE I	
											mm		mm ONLY	MATERIAL NO. 51047-**-00		DRAWING NO. SD-51047-**-00		SHEET NO. 1		SIZE I	
											mm		mm ONLY	MATERIAL NO. 51047-**-00		DRAWING NO. SD-51047-**-00		SHEET NO. 1		SIZE I	
											mm		mm ONLY	MATERIAL NO. 51047-**-00		DRAWING NO. SD-51047-**-00		SHEET NO. 1		SIZE I	
											mm		mm ONLY	MATERIAL NO. 51047-**-00		DRAWING NO. SD-51047-**-00		SHEET NO. 1		SIZE I	
											mm		mm ONLY	MATERIAL NO. 51047-**-00		DRAWING NO. SD-51047-**-00		SHEET NO. 1		SIZE I	
											mm		mm ONLY	MATERIAL NO. 51047-**-00		DRAWING NO. SD-51047-**-00		SHEET NO. 1		SIZE I	
											mm		mm ONLY	MATERIAL NO. 51047-**-00		DRAWING NO. SD-51047-**-00		SHEET NO. 1		SIZE I	
											mm		mm ONLY	MATERIAL NO. 51047-**-00		DRAWING NO. SD-51047-**-00		SHEET NO. 1		SIZE I	
											mm		mm ONLY	MATERIAL NO. 51047-**-00		DRAWING NO. SD-51047-**-00		SHEET NO. 1		SIZE I	
											mm		mm ONLY	MATERIAL NO. 51047-**-00		DRAWING NO. SD-51047-**-00		SHEET NO. 1		SIZE I	
											mm		mm ONLY	MATERIAL NO. 51047-**-00		DRAWING NO. SD-51047-**-00		SHEET NO. 1		SIZE I	
											mm		mm ONLY	MATERIAL NO. 51047-**-00		DRAWING NO. SD-51047-**-00		SHEET NO. 1		SIZE I	
											mm		mm ONLY	MATERIAL NO. 51047-**-00		DRAWING NO. SD-51047-**-00		SHEET NO. 1		SIZE I	
											mm		mm ONLY	MATERIAL NO. 51047-**-00		DRAWING NO. SD-51047-**-00		SHEET NO. 1		SIZE I	
											mm		mm ONLY	MATERIAL NO. 51047-**-00		DRAWING NO. SD-51047-**-00		SHEET NO. 1		SIZE I	
											mm		mm ONLY	MATERIAL NO. 51047-**-00		DRAWING NO. SD-51047-**-00		SHEET NO. 1		SIZE I	
											mm		mm ONLY	MATERIAL NO. 51047-**-00		DRAWING NO. SD-51047-**-00		SHEET NO. 1		SIZE I	
											mm		mm ONLY	MATERIAL NO. 51047-**-00		DRAWING NO. SD-51047-**-00		SHEET NO. 1		SIZE I	
											mm		mm ONLY	MATERIAL NO. 51047-**-00		DRAWING NO. SD-51047-**-00		SHEET NO. 1		SIZE I	
											mm		mm ONLY	MATERIAL NO. 51047-**-00		DRAWING NO. SD-51047-**-00		SHEET NO. 1		SIZE I	