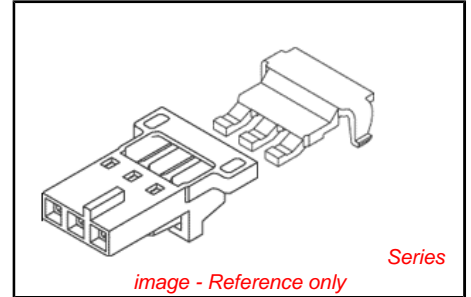


**PLEASE CHECK WWW.MOLEX.COM FOR LATEST PART INFORMATION**

**Part Number:** [0050579702](#)  
**Status:** **Active**  
**Overview:** [cgrid\\_sl\\_products](#)  
**Description:** 2.54mm (.100") SL™ Crimp Housing, Single Row, Version N, TPA™ with Positive Latch, 2 Circuits

**Documents:**

<a href="#">3D Model</a>	<a href="#">Product Specification PS-70400 (PDF)</a>
<a href="#">Drawing (PDF)</a>	<a href="#">RoHS Certificate of Compliance (PDF)</a>
<a href="#">Packaging Specification (PDF)</a>	



**Agency Certification**

CSA	LR19980
TUV	R72081037
UL	E29179

**General**

Product Family	Crimp Housings
Series	70066
Comments	Version N
Overview	<a href="#">cgrid_sl_products</a>
Product Name	SL™

**Physical**


Circuits (maximum)	2
Color - Resin	Black
Flammability	94V-0
Gender	Female
Glow-Wire Compliant	No
Material - Resin	Polyester Alloy
Number of Rows	1
Packaging Type	Bag
Panel Mount	No
Pitch - Mating Interface (in)	0.100 In
Pitch - Mating Interface (mm)	2.54 mm
Stackable	No
Temperature Range - Operating	-40°C to +105°C

**Material Info**

Old Part Number	70066-0386
-----------------	------------

**Reference - Drawing Numbers**

Packaging Specification	PK-70066-100
Product Specification	PS-70400
Sales Drawing	SD-70066-386

<b>EU RoHS</b> <b>ELV and RoHS</b> <b>Compliant</b> <b>REACH SVHC</b> <b>Contains SVHC: No</b> <b>Halogen-Free</b> <b>Status</b> <b>Not Halogen-Free</b>	<b>China RoHS</b> 
---	--

**Need more information on product environmental compliance?**

Email [productcompliance@molex.com](mailto:productcompliance@molex.com)  
 For a multiple part number RoHS Certificate of Compliance, [click here](#)

Please visit the [Contact Us](#) section for any non-product compliance questions.

**Search Parts in this Series**  
70066Series

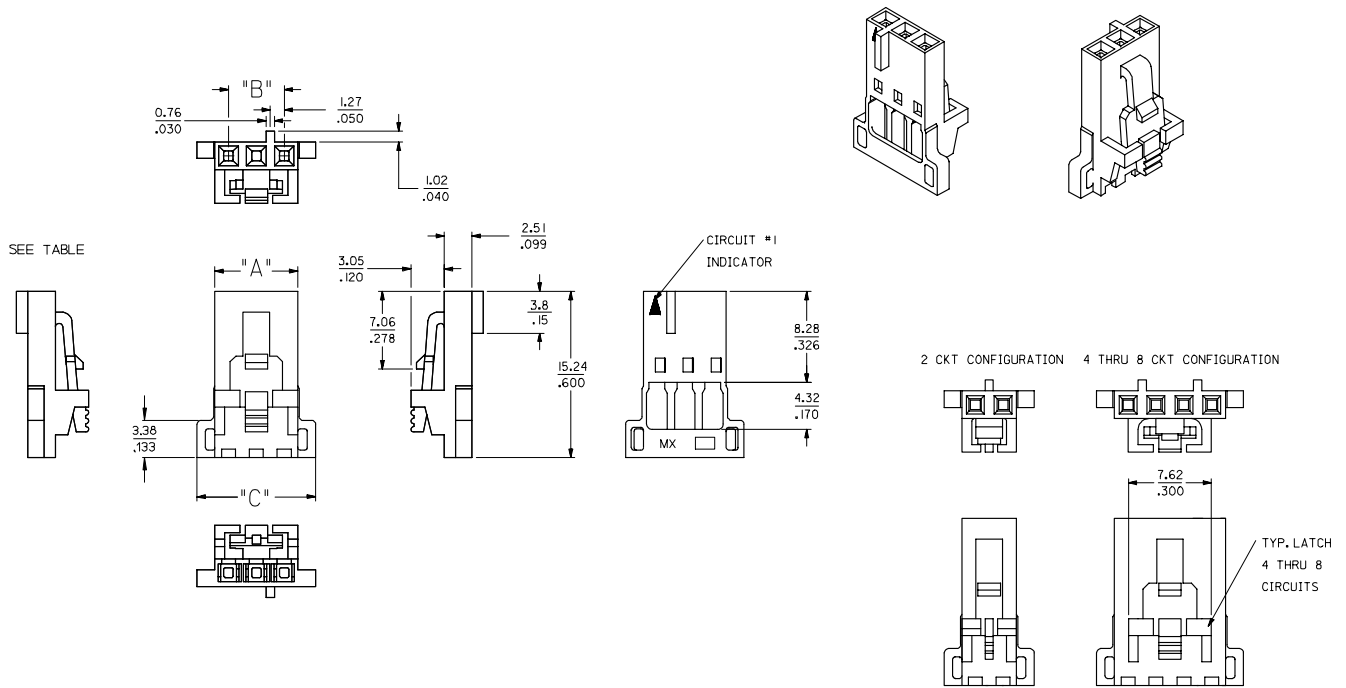
**Mates With**  
70018 , 70543, 70545 , 70553 , 70555,

**Use With**  
70058 , 71851 , 73838

**PLEASE CHECK WWW.MOLEX.COM FOR LATEST PART INFORMATION**

CKT SIZE	EDP. NUMBER	ENG. NUMBER	DIM. "A"	DIM. "B"	DIM. "C"
2	050-57-9702	70066-0386	(5.00) / .197	(2.54) / .100	(8.26) / .325
3	050-57-9703	70066-0387	(7.54) / .297	(5.08) / .200	(10.80) / .425
4	050-57-9704	70066-0388	(10.08) / .397	(7.62) / .300	(13.34) / .525
5	050-57-9705	70066-0389	(12.62) / .497	(10.16) / .400	(15.88) / .625
6	050-57-9706	70066-0390	(15.16) / .597	(12.70) / .500	(18.42) / .725
7	050-57-9707	70066-0391	(17.70) / .697	(15.24) / .600	(20.96) / .825
8	050-57-9708	70066-0392	(20.24) / .797	(17.78) / .700	(23.50) / .925

# TERMINAL POSITION ASSURANCE (TPA) OPTION "N"



**NOTES:**

- HOUSING, OPTION "N" FOR USE WITH TERMINAL RETENTION SUPPORT SERIES #73838 AND CONTACT SERIES NUMBERS 70058 AND 71851.
- REFER TO CHART FOR AVAILABLE CIRCUIT SIZES.
- MATERIAL: GLASS FILLED POLYESTER, 94V-0, COLOR: BLACK
- PACKAGE PER PK-70066-100.

ADDED DIMENSION EC NO. UCP2007-1403 DRW: DANIELLE 2007/07/09 CHK: BARBAR 2007/07/15 APPR: SHILLER 2007/07/15	QUALITY SYMBOLS	GENERAL TOLERANCES (UNLESS SPECIFIED)	DIMENSION STYLE	SCALE	DESIGN UNITS	THIRD ANGLE PROJECTION															
	$\nabla=0$ $\nabla=0$	<table border="1"> <thead> <tr> <th></th> <th>mm</th> <th>INCH</th> </tr> </thead> <tbody> <tr> <td>4 PLACES</td> <td>± .010</td> <td>± .004</td> </tr> <tr> <td>3 PLACES</td> <td>± .015</td> <td>± .006</td> </tr> <tr> <td>2 PLACES</td> <td>± .025</td> <td>± .010</td> </tr> <tr> <td>1 PLACE</td> <td>± 0.38</td> <td>± .015</td> </tr> </tbody> </table>		mm	INCH	4 PLACES	± .010	± .004	3 PLACES	± .015	± .006	2 PLACES	± .025	± .010	1 PLACE	± 0.38	± .015	MM/IN	4:1	METRIC	
		mm	INCH																		
	4 PLACES	± .010	± .004																		
3 PLACES	± .015	± .006																			
2 PLACES	± .025	± .010																			
1 PLACE	± 0.38	± .015																			
DRAFT WHERE APPLICABLE MUST REMAIN WITHIN DIMENSIONS	DRAWN BY: REISDORF CHECKED BY: REISDORF APPROVED BY: BRINKMAN DATE: 12/23/1998	DATE: 12/23/1998 DATE: 12/23/1998 DATE: 12/23/1998	TITLE: HOUSING, SL CRIMP FOR TERMINAL POSITION ASSURANCE, SALES DRAWING MOLEX INCORPORATED																		
	MATERIAL NO.	DOCUMENT NO.	SHEET NO.																		
	SEE TABLE	SD-70066-386	1 OF 1																		
THIS DRAWING CONTAINS INFORMATION THAT IS PROPRIETARY TO MOLEX INCORPORATED AND SHOULD NOT BE USED WITHOUT WRITTEN PERMISSION																					