

PLEASE CHECK WWW.MOLEX.COM FOR LATEST PART INFORMATION

Part Number: [5023520200](#)
Status: **Active**
Description: 2.00mm (.079") Pitch DuraClik™ Wire-to-Board Header, Single Row, Right Angle, 2 Circuits

Documents:

[3D Model](#) [Product Specification PS-502351-001 \(PDF\)](#)
[Drawing \(PDF\)](#) [RoHS Certificate of Compliance \(PDF\)](#)

General

Product Family	PCB Headers
Series	502352
Application	Wire-to-Board
Product Name	DuraClik™

Physical

Breakaway	No
Circuits (Loaded)	2
Color - Resin	Natural
Durability (mating cycles max)	30
First Mate / Last Break	No
Glow-Wire Compliant	No
Keying to Mating Part	Yes
Lock to Mating Part	Yes
Mated Height (in)	0.252 In
Mated Height (mm)	6.40 mm
Material - Metal	Copper Alloy
Material - Plating Mating	Tin
Material - Plating Termination	Tin
Number of Rows	1
Orientation	Right Angle
PCB Locator	No
PCB Retention	Yes
Packaging Type	Embossed Tape on Reel
Pitch - Mating Interface (in)	0.079 In
Pitch - Mating Interface (mm)	2.00 mm
Polarized to Mating Part	Yes
Polarized to PCB	Yes
Stackable	No
Temperature Range - Operating	-40°C to +105°C
Termination Interface: Style	Surface Mount

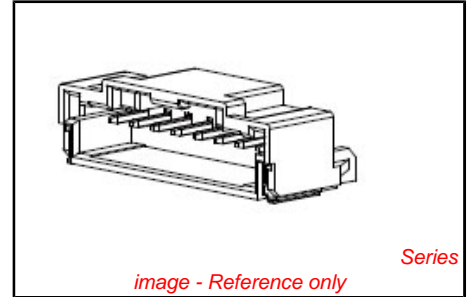
Electrical

Current - Maximum per Contact	3A
Voltage - Maximum	125V

Material Info

Reference - Drawing Numbers

Product Specification	PS-502351-001, RPS-502351-001
Sales Drawing	SD-502352-001, SD-502352-002



<p>EU RoHS ELV and RoHS Compliant REACH SVHC Not Reviewed Halogen-Free Status Not Reviewed</p>	<p>China RoHS</p>
--	--------------------------

Need more information on product environmental compliance?

Email productcompliance@molex.com
 For a multiple part number RoHS Certificate of Compliance, [click here](#)

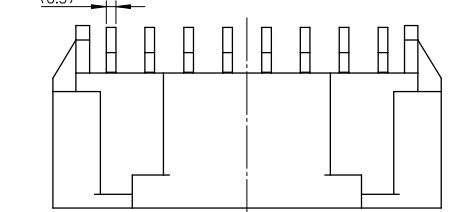
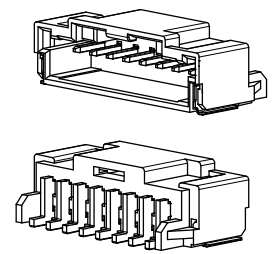
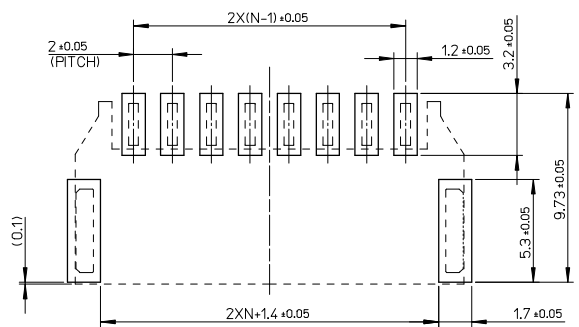
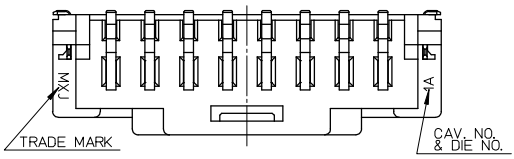
Please visit the [Contact Us](#) section for any non-product compliance questions.

Search Parts in this Series
[502352Series](#)

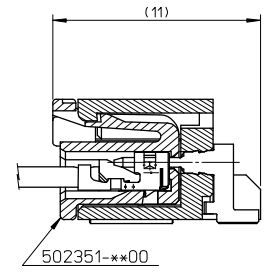
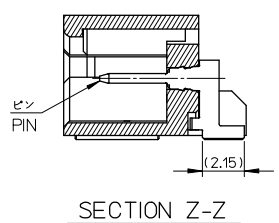
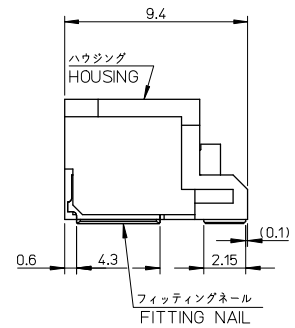
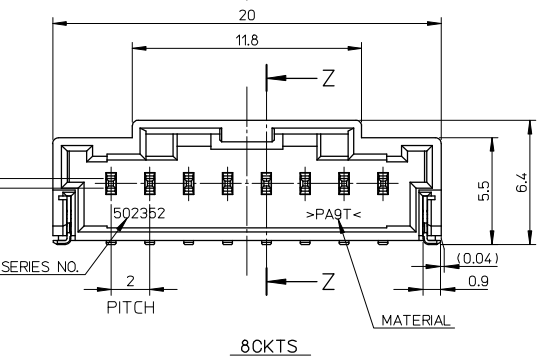
Mates With
[502351](#) Crimp Housing, [50212](#) , [50372](#)
 Crimp Terminal

PLEASE CHECK WWW.MOLEX.COM FOR LATEST PART INFORMATION

10 9 8 7 6 5 4 3 2 1



参考基板取り付け寸法(N=極数)



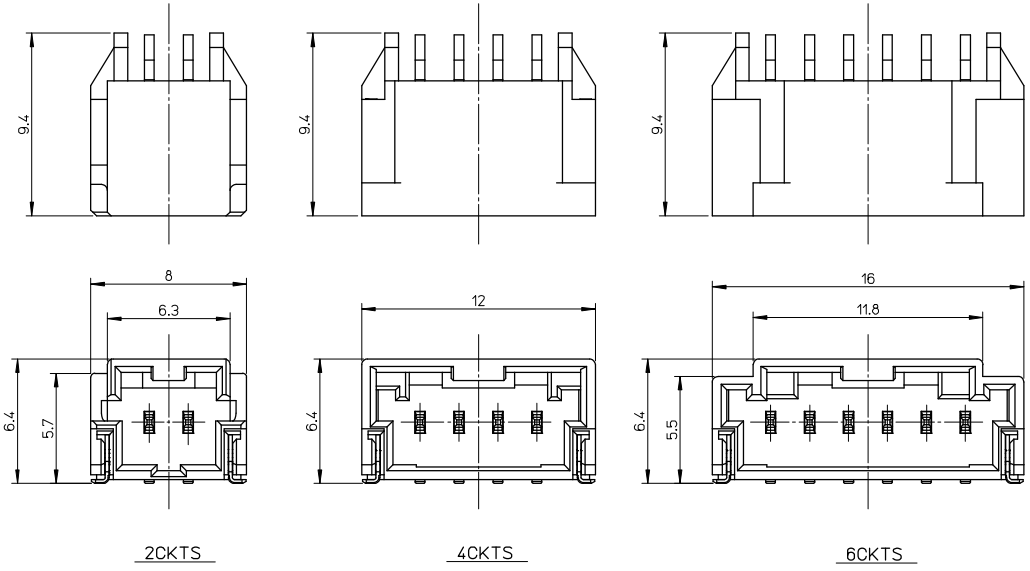
嵌合寸法

- 注記
NOTES
- 材質
ハウジング: 耐熱性ナイロン
ピン、フィッティングネール: 銅合金、ニッケル下地、錫メッキ
MATERIAL
HOUSING: POLYAMIDE
PIN, FINITING NAIL: COPPER ALLOY, TIN OVER NICKEL PLATE.
 - 色: ナチュラル
COLOR: NATURAL
 - 嵌合相手: 502351シリーズ
MATES WITH 502351 SERIES.
 - エッポス梱包品の詳細はSD-502352-002参照
DETAILED TAPING PACKAGE, SEE SD-502352-002.
 - ELV及びRoHS適合
ELV AND RoHS COMPLIANT

502352-0808	8
502352-0608	6
502352-0408	4
502352-0208	2
MATERIAL NO.	CKTS

RELEASED EC NO: JTR2008-0007 DRAWN: SHISHIBATA 2008/01/23 CHKD: HKOMATSU 2008/01/23 APPR: AKANESHIGE 2008/01/23	GENERAL TOLERANCES (UNLESS SPECIFIED)		DIMENSION STYLE MM ONLY		SCALE 5:1	DESIGN UNITS METRIC	THIRD ANGLE PROJECTION
	10 UNDER	± 0.2	DRAWN BY SHISHIBATA	DATE 2007/12/18	TITLE 2.0MM PITCH W/B CONN. WAFER ASSY R/A SMT		
	10 OVER	± 0.25	CHECKED BY HKOMATSU	DATE 2007/12/18	MOLEX INCORPORATED		
	30 OVER	± 0.3	APPROVED BY AKANESHIGE	DATE 2007/12/18	DOCUMENT NO. SD-502352-001	SHEET NO. 1 OF 2	
	ANGULAR	± 3 °	MATERIAL NO. SEE CHART		THIS DRAWING CONTAINS INFORMATION THAT IS PROPRIETARY TO MOLEX INCORPORATED AND SHOULD NOT BE USED WITHOUT WRITTEN PERMISSION		
	DRAFT WHERE APPLICABLE MUST REMAIN WITHIN DIMENSIONS						

10 9 8 7 6 5 4 3 2 1

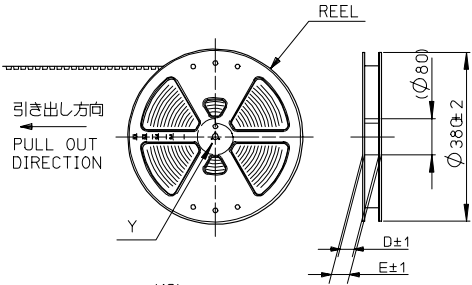
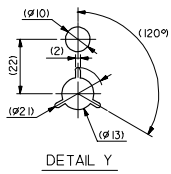


RELEASED EC NO: JTR2008-0007 DRW: SHIBATA 2008/01/23 CHK: HKOMATSU 2008/01/23 APPR: AKANESHIGE 2008/01/23	GENERAL TOLERANCES (UNLESS SPECIFIED)		DIMENSION STYLE MM ONLY	SCALE 5:1	DESIGN UNITS METRIC	THIRD ANGLE PROJECTION
	10 UNDER	±0.2	DRAWN BY SHSHIBATA	DATE 2007/12/18	TITLE 2.0MM PITCH W/B CONN. WAFA ASSY R/A SMT	
	10 OVER 30 UNDER	±0.25	CHECKED BY HKOMATSU	DATE 2007/12/18	MOLEX INCORPORATED DOCUMENT NO. SD-502352-001 SHEET NO. 2 OF 2	
	30 OVER	±0.3	APPROVED BY AKANESHIGE	DATE 2007/12/18		
ANGULAR	±3 °	MATERIAL NO. SEE CHART		THIS DRAWING CONTAINS INFORMATION THAT IS PROPRIETARY TO MOLEX INCORPORATED AND SHOULD NOT BE USED WITHOUT WRITTEN PERMISSION		
DRAFT WHERE APPLICABLE MUST REMAIN WITHIN DIMENSIONS						

ib_frame_A3_J_AM_S
Rev. E 2006/04/15

EN-02DA(021)

10 9 8 7 6 5 4 3 2 1

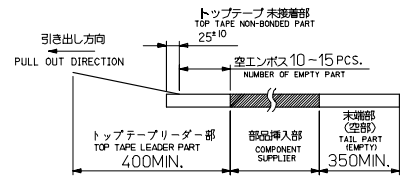
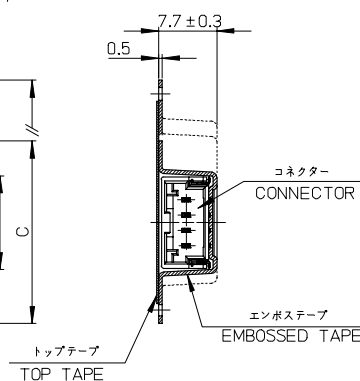
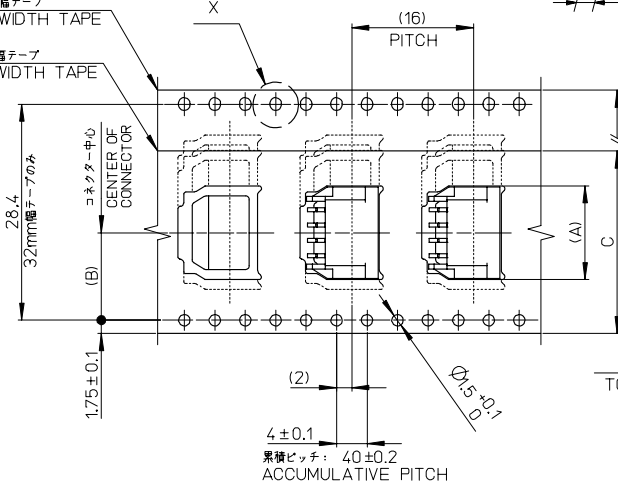


注記
NOTES

- 製品番号502352-x*00 詳細寸法については、製品単体図面を参照下さい。
PART NO. 502352-x*00 . SEE SALES DRAWING FOR CONNECTOR
- 梱包数量：700個/リール
NUMBER OF CONNECTORS 700PCS/REEL
- リードテープ長さ
LEAD TAPE LENGHT

32mm幅テープ
32mmWIDTH TAPE

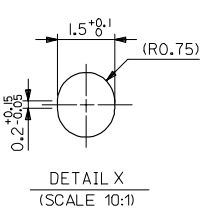
24mm幅テープ
24mmWIDTH TAPE



4. 材料

MATERIAL
キャリアテープ: ポリスチレン
CARRIER TAPE: POLYSTYRENE
トップテープ: PET, PE, PEF
TOP TAPE
リール: ポリスチレン
REEL: POLYSTYRENE

37.4	33.4	32	14.2	20.3	502352-0808	502352-0800	8
				16.3	502352-0608	502352-0600	6
29.4	25.4	24	11.5	12.3	502352-0408	502352-0400	4
				8.3	502352-0208	502352-0200	2
E	D	C	(B)	(A)	CONNCTOR	エンボス梱包品 製品番号 MATERIAL NO.	極数 CKT.



引き出し方向
PULL OUT DIRECTION

エンボステープ内の製品の向き
DIRECTION OF CONNECTOR
IN EMBOSSED TAPE

REVISED EC NO. J2008-0463 DRWN:SHIBATA 2007/09/26 CHK:HKOMATSU 2007/09/27 APPR:AKANESHIGE 2007/09/27	GENERAL TOLERANCES (UNLESS SPECIFIED)		DIMENSION STYLE MM ONLY		SCALE ---	DESIGN UNITS METRIC	THIRD ANGLE PROJECTION
	10 UNDER	±0.2	DRAWN BY SHSHIBATA	DATE 2007/6/6	TITLE 2.0MM PITCH W/B CONN. WAFFER ASSY EMBOSSED TAPE PACKAGE		
	10 OVER 30 UNDER	±0.25	CHECKED BY TAITO	DATE 2007/6/6	MOLEX MOLEX INCORPORATED		
	30 OVER	±0.3	APPROVED BY AKANESHIGE	DATE 2007/6/6	DOCUMENT NO. SD-502352-002		
	ANGULAR	±1 °	MATERIAL NO.	SEE CHART	SHEET NO. 1 OF 1		
A	DRAFT WHERE APPLICABLE MUST REMAIN WITHIN DIMENSIONS		SIZE A3	THIS DRAWING CONTAINS INFORMATION THAT IS PROPRIETARY TO MOLEX INCORPORATED AND SHOULD NOT BE USED WITHOUT WRITTEN PERMISSION			