

PLEASE CHECK WWW.MOLEX.COM FOR LATEST PART INFORMATION

Part Number: [5007620481](#)
Status: **Active**
Overview: [cmc_connectors](#)
Description: 2.50mm (.098"), 3.50mm (.138"), 3.70mm (.146") CMC Header, Right Angle, 48 Circuits

Documents:

[Drawing \(PDF\)](#) [RoHS Certificate of Compliance \(PDF\)](#)
[Product Specification PS-500762-001 \(PDF\)](#)

General

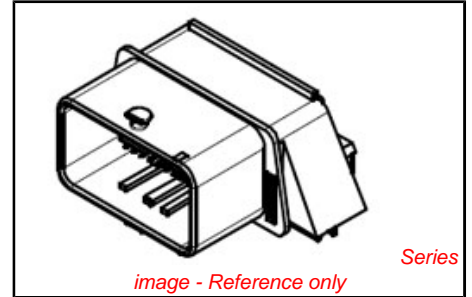
Product Family	PCB Headers
Series	500762
Application	Wire-to-Board
Overview	cmc_connectors
Product Name	CMC

Physical

Breakaway	No
Circuits (Loaded)	48
Circuits (maximum)	48
Color - Resin	Black
Durability (mating cycles max)	20
First Mate / Last Break	Yes
Glow-Wire Compliant	No
Guide to Mating Part	Yes
Keying to Mating Part	Yes
Lock to Mating Part	Yes
Material - Metal	Copper Alloy
Material - Plating Mating	Tin
Material - Plating Termination	Tin
Number of Rows	4
Orientation	Right Angle
PC Tail Length (in)	0.142 In
PC Tail Length (mm)	3.60 mm
PCB Locator	Yes
PCB Retention	None
PCB Thickness Recommended (in)	0.063 In
PCB Thickness Recommended (mm)	1.60 mm
Packaging Type	Tray
Pitch - Mating Interface (in)	0.098 In, 0.137 In, 0.146 In
Pitch - Mating Interface (mm)	2.50 mm, 3.50 mm, 3.70 mm
Pitch - Term. Interface (in)	0.098 In, 0.137 In, 0.146 In
Pitch - Term. Interface (mm)	2.50 mm, 3.50 mm, 3.70 mm
Polarized to Mating Part	Yes
Polarized to PCB	Yes
Shrouded	Closed Ends
Stackable	No
Surface Mount Compatible (SMC)	No
Temperature Range - Operating	-40°C to +125°C
Termination Interface: Style	Through Hole

Electrical

Current - Maximum per Contact	6A
Voltage - Maximum	250V



EU RoHS
ELV and RoHS
Compliant
REACH SVHC
 Not Reviewed
Halogen-Free
Status
Not Reviewed

China RoHS



Need more information on product environmental compliance?

Email productcompliance@molex.com
 For a multiple part number RoHS Certificate of Compliance, [click here](#)

Please visit the [Contact Us](#) section for any non-product compliance questions.

Search Parts in this Series
[500762Series](#)

Mates With
[64320-1311](#) CMC Connector . [64320-3311](#) CMC Connector

Use With
[64320-1311](#) CMC Connector . [64320-3311](#) CMC Connector . [64322](#) and [64323](#) series Terminals . [64320-1301](#) Wire Cap. [64325](#) series Blind Plugs

Solder Process Data

Duration at Max. Process Temperature (seconds)	25
Lead-free Process Capability	Wave Capable (TH only)
Max. Cycles at Max. Process Temperature	1
Process Temperature max. C	260

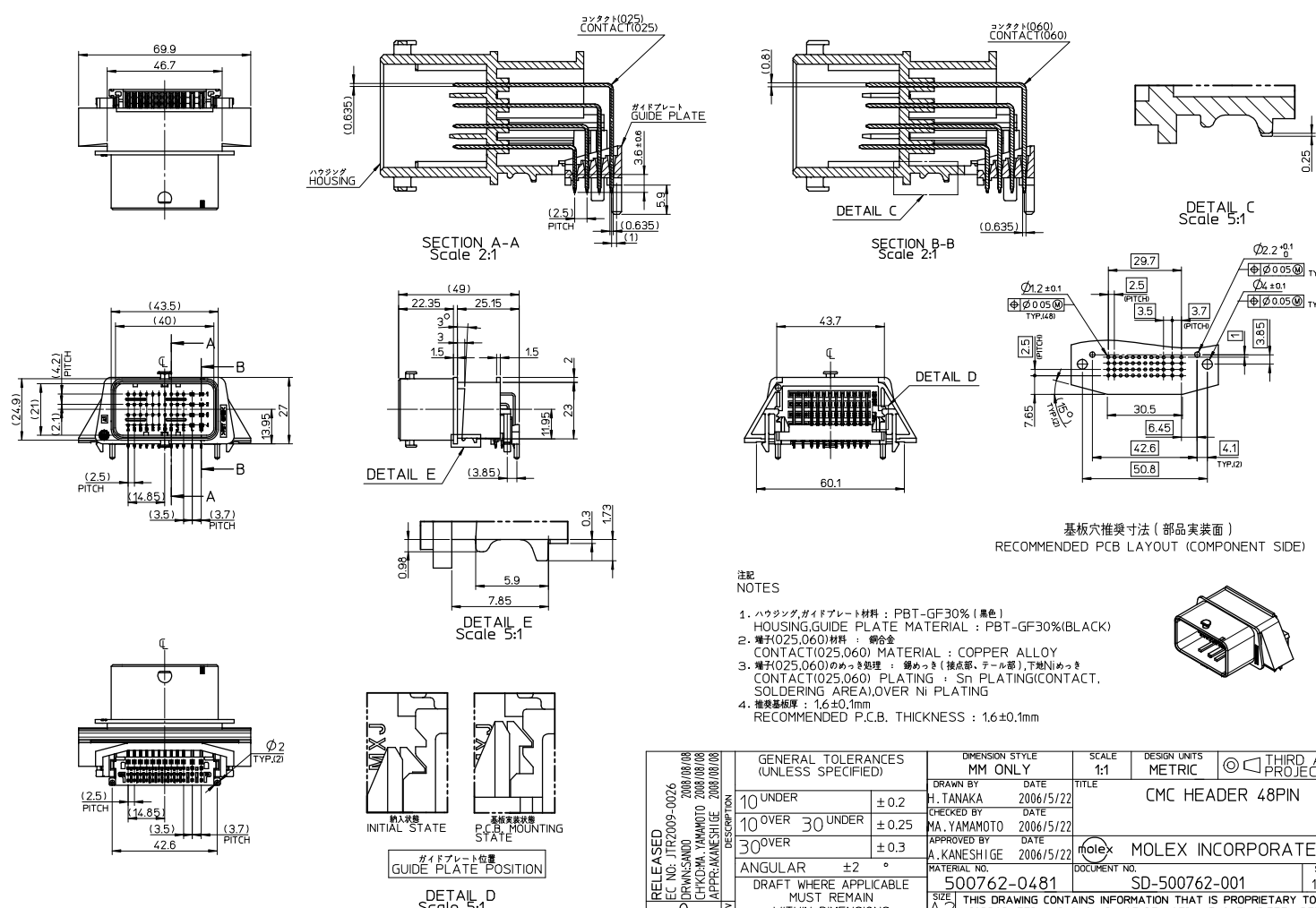
Material Info**Reference - Drawing Numbers**

Product Specification	PS-500762-001
Sales Drawing	SD-500762-001

This document was generated on 05/26/2010

PLEASE CHECK WWW.MOLEX.COM FOR LATEST PART INFORMATION

13 12 11 10 9 8 7 6 5 4 3 2 1



RELEASED EC NO. JTR2009-0026 2008/08/08 DENKINSANDO 2008/08/08 CHIKUMA YAMAMOTO 2008/08/08 APPRO:KANE SHIGE 2008/08/08 (REV) DESCRIPTION	GENERAL TOLERANCES (UNLESS SPECIFIED)		DIMENSION STYLE MM ONLY		SCALE 1:1	DESIGN UNITS METRIC	THIRD ANGLE PROJECTION
	10 UNDER	±0.2	DRAWN BY H. TANAKA	DATE 2006/5/22	TITLE CMC HEADER 48PIN		
	10 OVER 30 UNDER	±0.25	CHECKED BY MA. YAMAMOTO	DATE 2006/5/22	MOLEX INCORPORATED		
	30 OVER	±0.3	APPROVED BY A. KANESHIIGE	DATE 2006/5/22	DOCUMENT NO. SD-500762-001		
ANGULAR ±2°		DRAFT WHERE APPLICABLE MUST REMAIN WITHIN DIMENSIONS		MATERIAL NO. 500762-0481		SHEET NO. 1 OF 1	
SIZE A				THIS DRAWING CONTAINS INFORMATION THAT IS PROPRIETARY TO MOLEX INCORPORATED AND SHOULD NOT BE USED WITHOUT WRITTEN PERMISSION			