

PLEASE CHECK WWW.MOLEX.COM FOR LATEST PART INFORMATION

Part Number: [0470531000](#)
Status: **Active**
Description: 2.54mm (.100") Pitch KK® Vertical Header, with Friction Lock, 4 Circuits, PC Tail
 Length: 3.50mm (.138")

Documents:

[3D Model](#) [Product Specification PS-47053-001 \(PDF\)](#)
[Drawing \(PDF\)](#) [RoHS Certificate of Compliance \(PDF\)](#)

General

Product Family	PCB Headers
Series	47053
Application	Wire-to-Board
Product Name	KK®

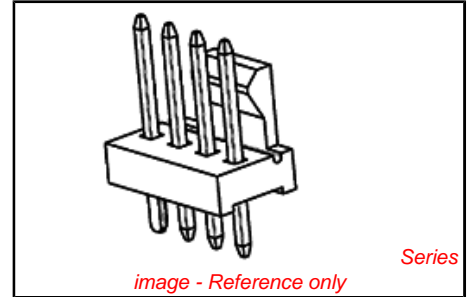
Physical

Breakaway	No
Circuits (Loaded)	4
Circuits (maximum)	4
Durability (mating cycles max)	25
First Mate / Last Break	No
Glow-Wire Compliant	No
Guide to Mating Part	No
Keying to Mating Part	None
Lock to Mating Part	Yes
Material - Metal	Copper Alloy
Material - Plating Mating	Tin
Material - Plating Termination	Copper
Number of Rows	1
Orientation	Vertical
PC Tail Length (in)	0.138 In
PC Tail Length (mm)	3.50 mm
PCB Locator	Yes
PCB Retention	None
Packaging Type	Bag
Pitch - Mating Interface (in)	0.100 In
Pitch - Mating Interface (mm)	2.54 mm
Pitch - Term. Interface (in)	0.100 In
Pitch - Term. Interface (mm)	2.54 mm
Plating min: Mating (µin)	200
Plating min: Mating (µm)	5
Plating min: Termination (µin)	200
Plating min: Termination (µm)	5
Polarized to Mating Part	Yes
Polarized to PCB	Yes
Shrouded	No
Stackable	No
Surface Mount Compatible (SMC)	No
Temperature Range - Operating	0°C to +75°C
Termination Interface: Style	Through Hole

Electrical

Current - Maximum per Contact	4A
Voltage - Maximum	250V

Material Info



<p>EU RoHS ELV and RoHS Compliant REACH SVHC Contains SVHC: No Halogen-Free Status Halogen-Free</p>	<p>China RoHS</p>
--	--------------------------

Need more information on product environmental compliance?

Email productcompliance@molex.com
 For a multiple part number RoHS Certificate of Compliance, [click here](#)

Please visit the [Contact Us](#) section for any non-product compliance questions.

Search Parts in this Series
[47053Series](#)

Mates With
 KK® Crimp Terminal Housing [2695](#) , [7880](#)

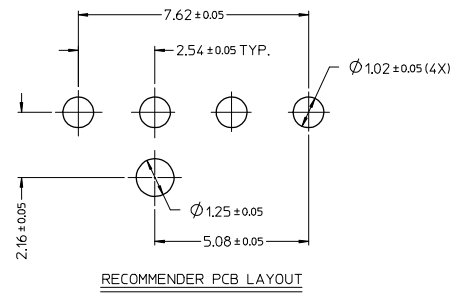
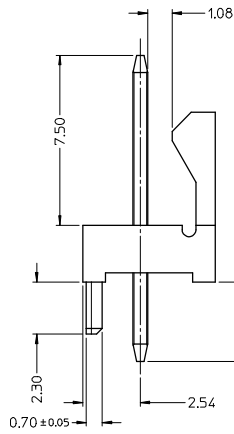
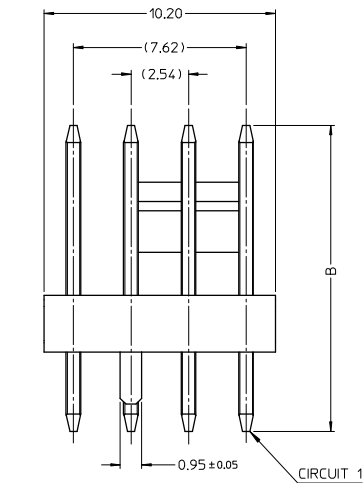
Reference - Drawing Numbers

Product Specification
Sales Drawing

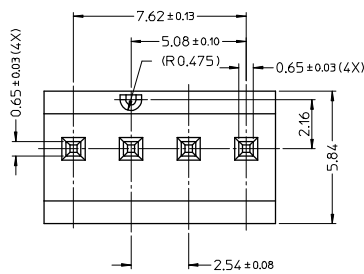
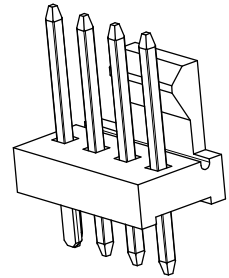
PS-47053-001
SD-47053-001

This document was generated on 03/24/2010

PLEASE CHECK WWW.MOLEX.COM FOR LATEST PART INFORMATION



P/N	DM	A	B
47053-1000		3.50	13.50
47053-3000		4.00	14.00



NOTES:

1. MATERIAL: HOUSING: NYLON, UL94V-0. COLOR: IVORY.
PIN: COPPER ALLOY.
2. PLATING: 100 MICRONCH MINIMUM TIN OVER 50 MICRONCH MINIMUM COPPER.
3. PIN PUSH OUT FORCE: 0.91Kgf.
4. PARTS CONFORM TO PRODUCT SPEC PS-47053-001.

ADD P/N EC NO: SH2008-0411 DRWN:DHU 2008/02/20 CHKD:RST 2008/02/21 APPR:HWANG 2008/02/26	QUALITY SYMBOLS	GENERAL TOLERANCES (UNLESS SPECIFIED)	SCALE 1:1	DESIGN UNITS METRIC	THIRD ANGLE PROJECTION	REVISE ON CAD ONLY	
	DESCRIPTION ▲ 0 ▼ 0	mm	INCH	DIMENSION STYLE MM ONLY		TITLE	
		4 PLACES ± --- ± ---		DRAWN BY RZHANG	DATE 2003/10/31	4 PIN HEADER HOUSING WITH FRICTION LOCK	
		3 PLACES ± --- ± ---		CHECKED BY HJYIN	DATE 2003/10/31	MATERIAL NO. MOLEX INCORPORATED	
	2 PLACES ± 0.2 ± ---		APPROVED BY SHUANG	DATE 2003/10/31	DOCUMENT NO. SD-47053-001	SHEET NO. 1 OF 1	
	1 PLACE ± 0.25 ± ---		DRAFT WHERE APPLICABLE MUST REMAIN WITHIN DIMENSIONS		THIS DRAWING CONTAINS INFORMATION THAT IS PROPRIETARY TO MOLEX INCORPORATED AND SHOULD NOT BE USED WITHOUT WRITTEN PERMISSION		