

PLEASE CHECK WWW.MOLEX.COM FOR LATEST PART INFORMATION

Part Number: [0039532204](#)
Status: **Active**
Overview:
Description: 1.25mm (.049") Pitch FFC/FPC Connector, Through-Hole, Right Angle, ZIF, Top Contact Style, 20 Circuits, Lead-free

Agency Certification

UL E29179

General

Product Family FFC/FPC Connectors
 Series [5597](#)
 Overview [ffc_fpc_throughhole](#)
 Product Name N/A

Physical

Circuits (Loaded) 20
 Color - Resin Natural
 Contact Position Top
 Durability (mating cycles max) 30
 Entry Angle 90° Angle
 Flammability 94V-0
 Mated Height (in) 0.197 In
 Mated Height (mm) 5.00 mm
 Material - Metal Phosphor Bronze
 Material - Plating Mating Tin-Bismuth
 Material - Plating Termination Tin-Bismuth
 Material - Resin Polyester
 Number of Rows 1
 Orientation Right Angle
 PC Tail Length (in) 0.138 In
 PC Tail Length (mm) 3.50 mm
 PCB Locator No
 PCB Retention None
 Packaging Type Tray
 Pitch - Mating Interface (in) 0.049 In
 Pitch - Mating Interface (mm) 1.25 mm
 Plating min: Mating (µin) 40
 Plating min: Mating (µm) 1
 Plating min: Termination (µin) 40
 Plating min: Termination (µm) 1
 Polarized to PCB No
 Stackable No
 Surface Mount Compatible (SMC) No
 Temperature Range - Operating -20°C to +80°C
 Termination Interface: Style Through Hole
 Wire/Cable Type FFC/FPC

Electrical

Current - Maximum per Contact 1A
 Voltage - Maximum 200V

Material Info

Old Part Number 5597-20APB7F

Reference - Drawing Numbers

Packaging Specification SPK-5597-003

EU RoHS
ELV and RoHS
Compliant

REACH SVHC
 Not Reviewed
Halogen-Free
Status

Not Reviewed

Need more information on product environmental compliance?

Email productcompliance@molex.com
 For a multiple part number RoHS Certificate of Compliance, [click here](#)

Please visit the [Contact Us](#) section for any non-product compliance questions.

China RoHS



Search Parts in this Series
[5597Series](#)

Product Specification

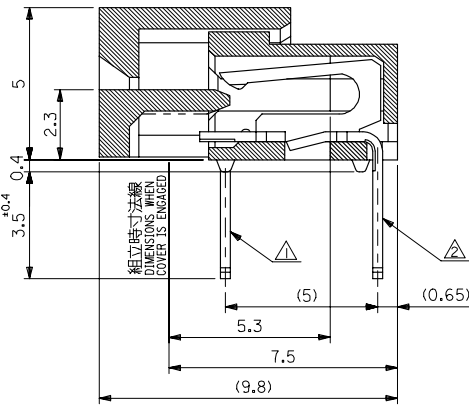
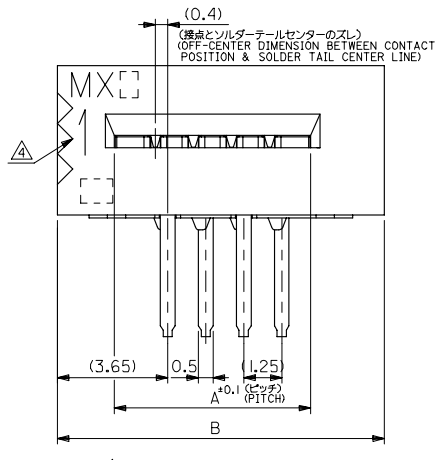
Sales Drawing

PS-5597-004, RPS-5597-005, RPS-5597-006,
RPS-5597-008, RPS-5597-013, RPS-5597-014,
RPS-5597-015
SD-5597-011

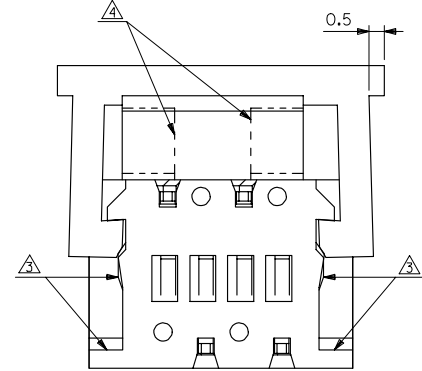
This document was generated on 06/04/2010

PLEASE CHECK WWW.MOLEX.COM FOR LATEST PART INFORMATION

10 9 8 7 6 5 4 3 2 1



48.25	43.95	39-53-2344	5597-34APB7F	34	F
47.00	42.70	-2334	-33APB7F	33	
45.75	41.45	-2324	-32APB7F	32	
44.50	40.20	-2314	-31APB7F	31	
43.25	38.95	-2304	-30APB7F	30	
42.00	37.70	-2294	-29APB7F	29	
40.75	36.45	-2284	-28APB7F	28	
39.50	35.20	-2274	-27APB7F	27	E
38.25	33.95	-2264	-26APB7F	26	
37.00	32.70	-2254	-25APB7F	25	
35.75	31.45	-2244	-24APB7F	24	
34.50	30.20	-2234	-23APB7F	23	
33.25	28.95	-2224	-22APB7F	22	
32.00	27.70	-2214	-21APB7F	21	
30.75	26.45	-2204	-20APB7F	20	D
29.50	25.20	-2194	-19APB7F	19	
28.25	23.95	-2184	-18APB7F	18	
27.00	22.70	-2174	-17APB7F	17	
25.75	21.45	-2164	-16APB7F	16	
24.50	20.20	-2154	-15APB7F	15	
23.25	18.95	-2144	-14APB7F	14	
22.00	17.70	-2134	-13APB7F	13	
20.75	16.45	-2124	-12APB7F	12	
19.50	15.20	-2114	-11APB7F	11	C
18.25	13.95	-2104	-10APB7F	10	
17.00	12.70	-2094	-09APB7F	9	
15.75	11.45	-2084	-08APB7F	8	
14.50	10.20	-2074	-07APB7F	7	
13.25	8.95	-2064	-06APB7F	6	
12.00	7.70	-2054	-05APB7F	5	
10.75	6.45	-2044	-04APB7F	4	
9.50	5.20	39-53-2034	5597-03APB7F	3	B
B	A	EDP NO.	ENG NO.	極数 CKT.	



- 注記 NOTES
- △ MX J側を基準に奇数番目の極におけるソルダーテール。SOLDER TAIL OF ODD CKTS, MXJ MARK AS BASIC.
 - △ MX J側を基準に偶数番目の極におけるソルダーテール。SOLDER TAIL OF EVEN CKTS, MXJ MARK AS BASIC.
 - ③ 3極~10極に適用。APPLY FOR 3-10 CKTS.
 - ④ 3極~19極に適用。APPLY FOR 3-19 CKTS.
 - 5. () 内寸法は、参考値。
() DIMENSION IS FOR REFERENCE.
 - 6. ソルダーテールは、先端が取付推奨穴にガイドされること。SOLDER TAILS MAY BE CHECKED BY INSERTION FOR RECOMMENDED PCB BOARD HOLES.
 - 7. 本製品は5597-NAPBの鉛フリー品である。
THIS PRODUCT IS LEAD FREE OF 5597-NAPB.

材料 MATERIAL
HOUSING: ACTUATOR : PBTP, UL94V-0
TERMINAL : PHOSPHOR-BRONZE
THK : 0.3t

仕上げ FINISH :
TIN-BISMUTH :
10 MICROMETER MINIMUM
OVER NICKEL PLATING :
10 MICROMETER MINIMUM

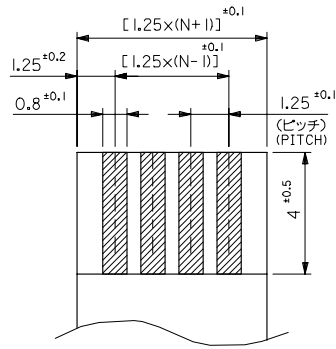
適用導線範囲 WIRE RANGE

挿入径 INS. RANGE

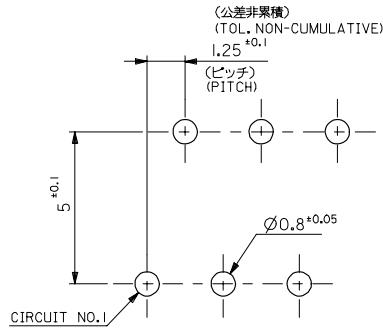
REVISED EC NO. J2007-2876 2007/04/19 DRAWN: SAITOH CHKD: THIRUYANA 2007/04/19 APPR: NIKITA 2007/04/20 DESCRIPTION	GENERAL TOLERANCES (UNLESS SPECIFIED)		DIMENSION STYLE MM ONLY		SCALE ---	DESIGN UNITS METRIC	MODEL NO. 5597-NAPB7F
	10 UNDER	±0.2	DRAWN BY M. NAGATA	DATE '04/05/10	TITLE 1.25 FPC CONNECTOR ASSY ZIF -LEAD FREE-		
	10 OVER 30 UNDER	±0.25	CHECKED BY K. TOJO	DATE '04/05/10	THIRD ANGLE PROJECTION		
	30 OVER	±0.3	APPROVED BY M. SASAO	DATE '04/05/10	MOLEX INCORPORATED		
	ANGULAR ±3 °	DRAFT WHERE APPLICABLE MUST REMAIN WITHIN DIMENSIONS		MATERIAL NO. SEE CHART	DOCUMENT NO. SD-5597-011	SHEET NO. 1 OF 2	
				SIZE A3	THIS DRAWING CONTAINS INFORMATION THAT IS PROPRIETARY TO MOLEX INCORPORATED AND SHOULD NOT BE USED WITHOUT WRITTEN PERMISSION		

10 9 8 7 6 5 4 3 2 1

F
E
D
C
B
A



適合 FPC / FFC 推奨寸法
RECOMMENDED FPC / FFC
厚さ THK : 0.3 ± 0.05



基板取付穴推奨寸法 (t=1.6)
RECOMMENDED P.C. BOARD
HOLE DIMENSION

FPC / FFC について :

打抜き方向は導体側から補強板側を推奨いたします。
導体側については軟銅箔 35 マイクロメートルまたは 50 マイクロメートルを推奨いたします。

ABOUT FPC / FFC
RECOMMENDED PUNCHER DIRECTION : FROM CONDUCTOR SIDE TO STIFFENER FILM SIDE.
RECOMMENDED CONDUCTOR SPEC :
THICKNESS OF SOFT COPPER FOIL : 35 MICROMETER OR 50 MICROMETER.

FPC について :

補強フィルム材質はポリイミドを推奨します。
接着剤は熱硬化接着剤を推奨します。

ABOUT FPC
RECOMMENDED MATERIAL :
STIFFENER FILM : POLYIMIDE
BONDING AGENT : THERMOSETTING BONDING AGENT

MODEL NO. 5597-NAPB7F

REVISED EC NO. J2007-2876 DRW:KSAI1001 2007/04/19 CHKD:THRUJANA 2007/04/19 APPR:NIKIITA 2007/04/20	GENERAL TOLERANCES (UNLESS SPECIFIED)		DIMENSION STYLE MM ONLY		SCALE ---	DESIGN UNITS METRIC	THIRD ANGLE PROJECTION
	10 UNDER	± 0.2	DRAWN BY M. NAGATA	DATE '04/05/10	TITLE 1.25 FPC CONNECTOR ASSY ZIF -LEAD FREE- MOLEX INCORPORATED		
	10 OVER 30 UNDER	± 0.25	CHECKED BY K. TOJO	DATE '04/05/10			
	30 OVER	± 0.3	APPROVED BY M. SASAO	DATE '04/05/10			
ANGULAR	± 3 °	MATERIAL NO. SEE CHART		DOCUMENT NO. SD-5597-011	SHEET NO. 2 OF 2		
DRAFT WHERE APPLICABLE MUST REMAIN WITHIN DIMENSIONS		THIS DRAWING CONTAINS INFORMATION THAT IS PROPRIETARY TO MOLEX INCORPORATED AND SHOULD NOT BE USED WITHOUT WRITTEN PERMISSION					

fb_frame_A3_1_ME_S
Rev. D 2004/04/02

9

8

7

6

5

4

3

2

EN-02JA(021)