

PLEASE CHECK WWW.MOLEX.COM FOR LATEST PART INFORMATION

Part Number: [0039036094](#)
Status: **Active**
Overview: [standard_093](#)
Description: 2.36mm (.093") Diameter Standard .093" Pin and Socket Receptacle Housing With Positive Latch, UL 94V-2, 9 Circuits

Documents:

3D Model	Product Specification PS-3191-003 (PDF)
Drawing (PDF)	Product Specification PS-3191-005 (PDF)
Product Specification PS-3191-001 (PDF)	RoHS Certificate of Compliance (PDF)

Agency Certification

CSA	LR19980
TUV	R72081037
UL	E29179

General

Product Family	Crimp Housings
Series	3191
Comments	Polarized to Mating Part
Overview	standard_093
Product Name	Standard .093"

Physical

Breakaway	No
Circuits (maximum)	9
Circuits Detail	3x3
Color - Resin	Natural
Flammability	94V-2
Gender	Dual
Glow-Wire Compliant	No
Keying to Mating Part	None
Lock to Mating Part	Yes
Material - Resin	Nylon
Number of Rows	3
Packaging Type	Bag
Panel Mount	No
Pitch - Mating Interface (in)	0.264 In
Pitch - Mating Interface (mm)	6.71 mm
Polarized to Mating Part	Yes
Stackable	No
Temperature Range - Operating	-40°C to +105°C

Electrical

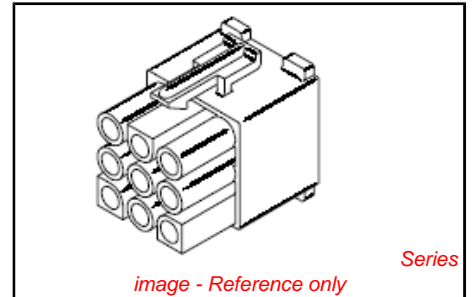
Current - Maximum per Contact	8A
-------------------------------	----

Material Info

Old Part Number	3191-09R1
-----------------	-----------

Reference - Drawing Numbers

Packaging Specification	SPK-3191-001
Product Specification	PS-3191-001, PS-3191-003, PS-3191-005, RPS-3191-001, RPS-3191-002
Sales Drawing	SD-3191-09R1*



<p>EU RoHS ELV and RoHS Compliant REACH SVHC Contains SVHC: No Halogen-Free Status Not Reviewed</p>	<p>China RoHS</p>
--	--------------------------

Need more information on product environmental compliance?

Email productcompliance@molex.com
 For a multiple part number RoHS Certificate of Compliance, [click here](#)

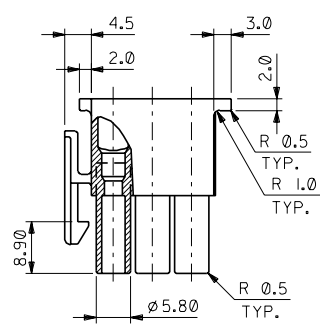
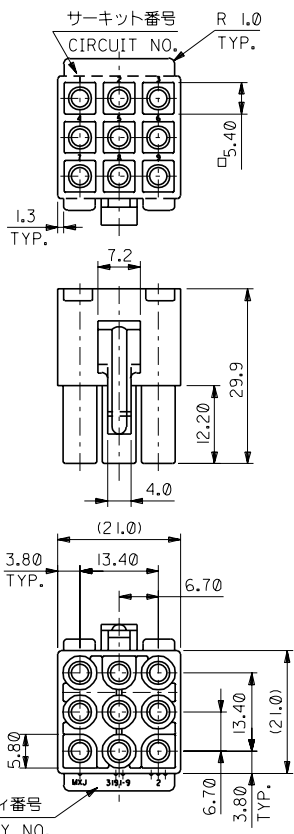
Please visit the [Contact Us](#) section for any non-product compliance questions.

<p>Search Parts in this Series 3191Series</p>
<p>Mates With 3191 Pin and Socket Plug, 5219 Vertical PCB Header</p>
<p>Use With 1189 Crimp Terminals, 1190 Crimp Terminals, 1380 Male Crimp Terminals, 1381 Female Crimp Terminals, 1433 Crimp Terminals, 1434 Male Crimp Terminals, 2605 , 2606 , 1973 , 2151 , 2273 , 2870 , 2871 , 4272 , Lin</p>

This document was generated on 05/19/2010

PLEASE CHECK WWW.MOLEX.COM FOR LATEST PART INFORMATION

DWG. NO. SD-3191-09R1-*



注)
NOTE.
1. () 内寸法は参考
(DIMENSIONS IN () ARE REFERENCE)

トレードマーク 製品番号 キャビティ番号
TRADE MARK , ENG.NO. , CAVITY NO.

3191-09R1-201	39-03-6095	ナイロン66 NYLON66	94V-0
3191-09R1	39-03-6094	ナイロン66 NYLON66	94V-2
ENG.NO.	EDP.NO.	材料 MATERIAL NO.	

DO NOT SCALE DRAWING	04 NO. DRWN: CHK: APPR:	03 NO. DRWN: CHK: APPR:	02 NO. DRWN: CHK: APPR:	01 NO. DRWN: CHK: APPR:	REDRAWN JC2000-0026 DRWN: K.KOHAMA CHK: T.YAMAGUCHI APPR: M.FUKUSHIMA	MATERIAL 材料 表参照 SEE TABLE	GENERAL TOLERANCES: (UNLESS SPECIFIED) 一般公差	SCALE —	DESIGN UNITS <input checked="" type="checkbox"/> mm <input type="checkbox"/> INCH	<input checked="" type="checkbox"/> FIRST ANGLE PROJECTION	SHT REV
	10 UNDER 未滿	10 OVER 以上	30 UNDER 未滿	30 OVER 以上	FINISH 仕上り	WIRE RANGE 通用電線範囲	ANGLE 角度	DRAWN BY & DATE K.KOHAMA 00/ 3/28 CHECKED BY & DATE T.YAMAGUCHI 00/ 3/31 APPROVED BY & DATE M.FUKUSHIMA 00/ 3/31		TITLE: 9 CKT. REC. HS'G (.093 DIA. TERM.)	MOLEX INCORPORATED
	±0.25 ±0.1	±0.3 ±0.25	±0.35 ±0.3	+3°	INS. RANGE 被覆外径	CAD FILENAME S319109.S10	MATERIAL NO. 3191-09R1-*	DRAWING NO. SD-3191-09R1-*	SHEET NO. 1	SIZE B	
	8	7	6	5	4	3	2	1	EN-02J(097) MXJ-54		