

**PLEASE CHECK WWW.MOLEX.COM FOR LATEST PART INFORMATION**

**Part Number:** [0039036090](#)  
**Status:** **Active**  
**Overview:** standard\_093  
**Description:** 2.36mm (.093") Diameter Standard .093" Pin and Socket Plug Housing With Positive Latch, UL 94V-2, Panel Mount, 9 Circuits

**Documents:**

3D Model [Product Specification PS-3191-001 \(PDF\)](#)  
 Drawing (PDF) [RoHS Certificate of Compliance \(PDF\)](#)

**Agency Certification**

CSA LR19980  
 TUV R72081037  
 UL E29179

**General**

Product Family Crimp Housings  
 Series [3191](#)  
 Comments Polarized to Mating Part  
 Overview [standard\\_093](#)  
 Product Name Standard .093"

**Physical**

Breakaway No  
 Circuits (maximum) 9  
 Circuits Detail 3x3  
 Color - Resin Natural  
 Flammability 94V-2  
 Gender Dual  
 Glow-Wire Compliant No  
 Keying to Mating Part None  
 Lock to Mating Part Yes  
 Material - Resin Nylon  
 Number of Rows 3  
 Packaging Type Bag  
 Panel Mount Yes  
 Pitch - Mating Interface (in) 0.264 In  
 Pitch - Mating Interface (mm) 6.71 mm  
 Polarized to Mating Part Yes  
 Stackable No  
 Temperature Range - Operating -40°C to +105°C

**Electrical**

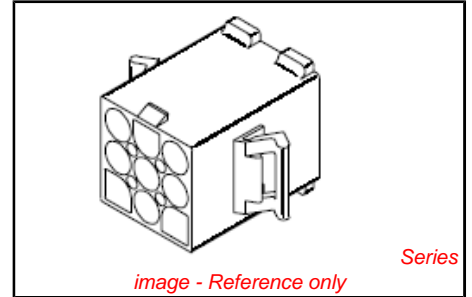
Current - Maximum per Contact 8A

**Material Info**

Old Part Number 3191-09P

**Reference - Drawing Numbers**

Packaging Specification SPK-3191-001  
 Product Specification PS-3191-001  
 Sales Drawing SD-3191-09P-\*



**EU RoHS**

**ELV and RoHS Compliant**  
**REACH SVHC Contains SVHC: No**  
**Halogen-Free Status Not Reviewed**

**China RoHS**



**Need more information on product environmental compliance?**

Email [productcompliance@molex.com](mailto:productcompliance@molex.com)  
 For a multiple part number RoHS Certificate of Compliance, [click here](#)

Please visit the [Contact Us](#) section for any non-product compliance questions.

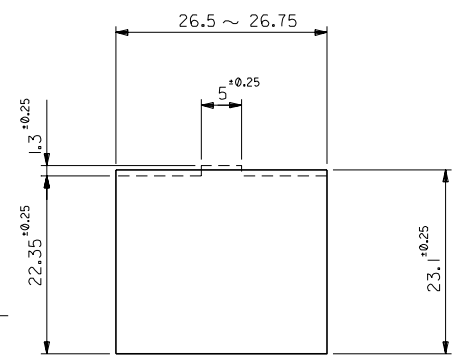
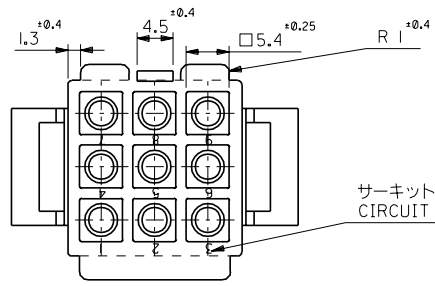
**Search Parts in this Series**  
[3191Series](#)

**Mates With**  
[3191](#) Pin and Socket Rectacle, [5219](#) Vertical PCB Header

**Use With**  
[1189](#) Crimp Terminals, [1190](#) Crimp Terminals, [1380](#) Male Crimp Terminals, [1381](#) Female Crimp Terminals, [1433](#) Crimp Terminals, [1434](#) Male Crimp Terminals, [2605](#) , [2606](#) , [1973](#) , [2151](#) , [2273](#) , [2870](#) , [2871](#) , [4272](#) , Lin

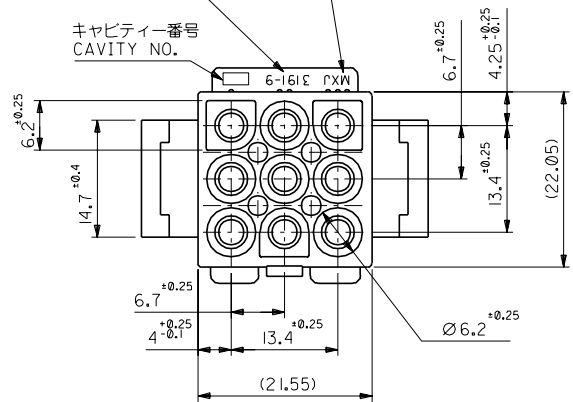
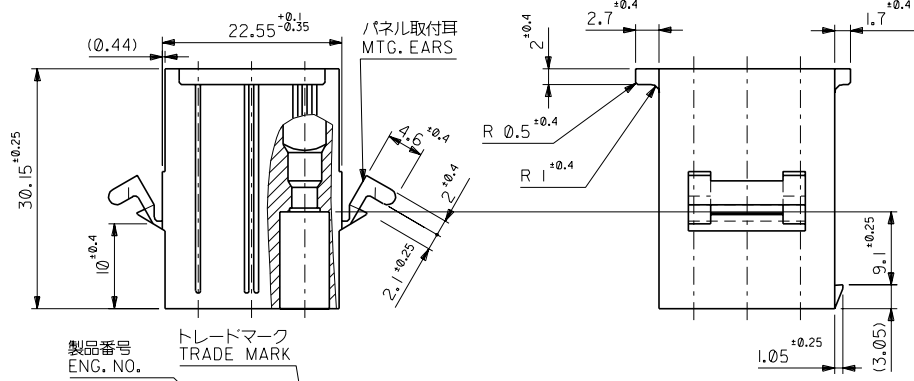
**PLEASE CHECK WWW.MOLEX.COM FOR LATEST PART INFORMATION**

DWG. NO. SD-3191-09P-  
 DIMENSIONS IN METRIC DO NOT SCALE DRAWING



パネル取付穴推奨寸法 (厚さ2.0最大)  
 ハウジングの装着は、パネル穴打抜き方向より行うこと  
 RECOMMENDED PANEL HOLE DIMENSION (THK. 2.0 MAX.)  
 ATTACH THE HOUSING FROM THE DIRECTION OF  
 PANEL HOLE PUNCHED OUT

注記  
 NOTE  
 ( ) 内寸法は参考値  
 DIMENSIONS IN ( ) ARE REFERENCE



39-03-6091	3191-09P-201	NYLON66	94V-0
39-03-6090	3191-09P	NYLON66	94V-2
EDP. NO.	ENG. NO.	MATERIAL	UL

材料 MATERIAL	表参照 SEE CHART	MOLEX-JAPAN CO.,LTD. 日本モレックス株式会社 REVISE ONLY ON CAD SYSTEM TITLE 名称 9 CKT. PLUG HS'G. (Ø93 DIA. TERMINAL)
仕上げ FINISH	---	
適用電線範囲 WIRE RANGE	---	
被覆外径 INS. RANGE	---	

角度 ANGLE	>30				
30以上 OVER	+0.3				
10以上 OVER	+0.25				
10未満 UNDER	+0.2				
未測	N	再作図 REDRAWN	LC7816	H.J.	M.F.
一般公差 GENERAL TOLERANCES		記号 LTR	変更内容 REVISION RECORD	日付 DATE	尺度 SCALE

THIS DRAWING CONTAINS INFORMATION THAT IS PROPRIETARY TO MOLEX/JAPAN AND SHOULD NOT BE USED WITHOUT WRITTEN PERMISSION  
 本図面は日本モレックス(株)の所有する情報を含むもので、当社の許可なく複製を禁止する。  
 EN-01C(032)MXJ-32